

JIS ANSI / ASME / ASTM DIN



Operating Temperature(°C)

PVC 0 ~ 50



ESLON YP BALL VALVE

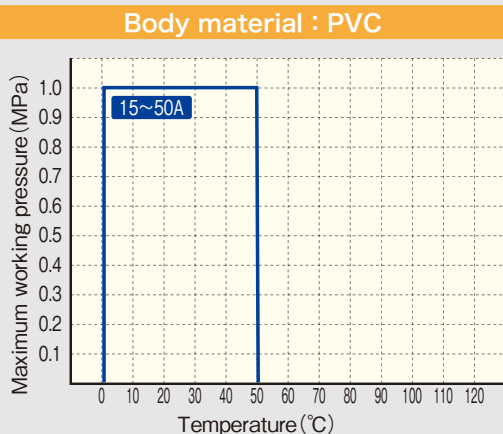
Feature

- Unique flow channel design of the ball enables precise flow rate control.
- High rangeability over 200 and equal percentage flow characteristic.
- Large visual indicator for flow rate control.

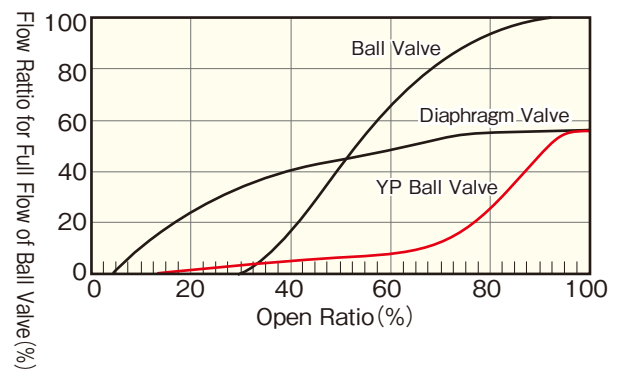
⚠ Important Notes

- Fluid containing slurry, solid, sediment, or crystallized fluid might disable sealing.

Maximum Working Pressure - Temperature Rating

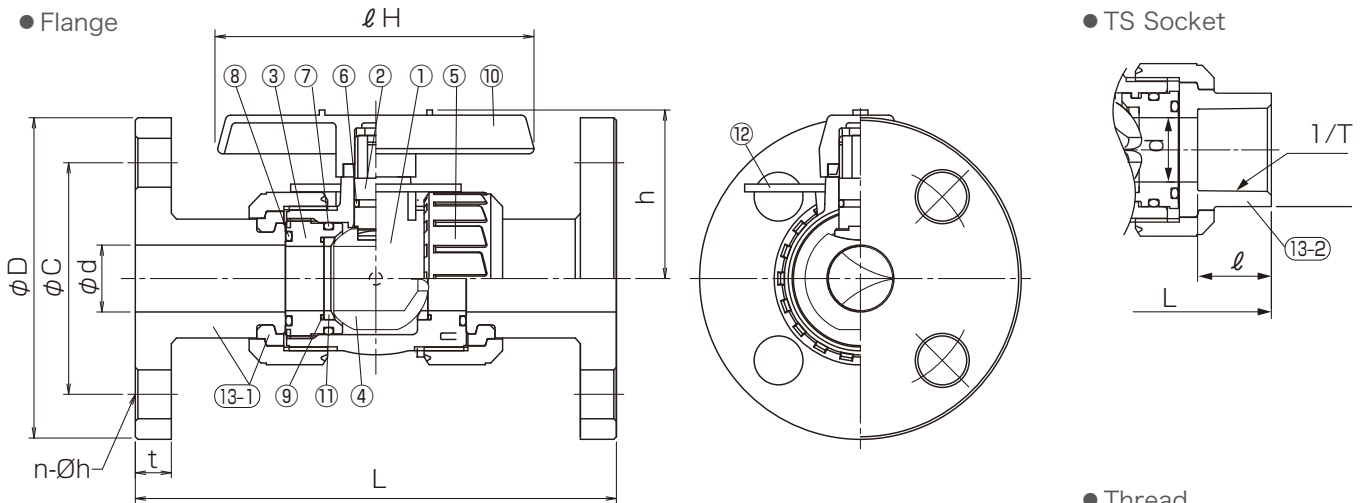


Flow Characteristic of YP Ball Valve



※ Comparison of Cv Values at various opening degree when that of 15A Ball Valve at full opened as 100.

Figure (Flange Type · TS Socket Type · Thread Type)



Parts List

No.	Part Name	QTY	材 質
1	Body	1	● PVC
2	Stem	1	
3	Ball Stopper	1	
4	Ball	1	
5	Union Nut	2	
6	Stem O-Ring	15-32A	● EPDM ● FKM
		40,50A	
7	Ball Stopper O-Ring	1	
8	Union O-ring	2	
9	Ball Seat O-Ring	2	
10	Handle	1	ABS
11	Ball Seat	2	PTFE
12	Open position display plate	1	PVC
13-1	Flange	2	PVC
13-2	TS socket	2	PVC
13-3	Threaded	2	PVC

Size

Flange Type

Unit : mm

Size		ϕd	h	LH	ϕDu	L	Flange											
A	B						JIS10K				ANSI				DIN			
						ϕD	ϕC	n- ϕh	t	ϕD	ϕC	n- ϕh	t	ϕD	ϕC	n- ϕh	t	
15	1/2	15	50	95	49	143	95	70	4-15	14	89.0	60.5	4-16	11.5	95	65	4-14	11
20	3/4	20	53	95	59	172	100	75	4-15	14	98.0	70.0	4-16	13.0	105	75	4-14	12
25	1	25	66	123	67	187	125	90	4-19	14	108.0	79.5	4-16	14.5	115	85	4-14	14
32	1 1/4	32	74	123	81	190	135	100	4-19	16	117.5	89.0	4-16	16.0	140	100	4-18	15
40	1 1/2	40	100	152	98	212	140	105	4-19	16	127.0	98.5	4-16	17.5	150	110	4-18	16
50	2	50	107	152	120	234	155	120	4-19	20	152.0	120.5	4-19	19.5	165	125	4-18	18

TS Socket Type · Thread Type

Unit : mm

Size		TS Socket						Female Thread						Weight(kg/unit)	
A	B	JIS		ASTM		DIN		JIS.DIN(Rc)		ANSI(NPT)		DIN(Rp)		Flange	Socket,Thread
		L	ℓ	L	ℓ	L	ℓ	L	ℓ	L	ℓ	L	ℓ		
15	1/2	109	22	103	22.22	92	16	97	18	97	18	97	18	0.4	0.2
20	3/4	132	25	119	25.40	107	19	117	18	117	18	117	18	0.6	0.3
25	1	143	29	133	28.58	121	22	128	23	128	23	128	23	0.9	0.4
32	1 1/4	166	32	147	31.75	137	26	146	23	146	23	146	23	1.2	0.6
40	1 1/2	175	35	171	34.93	161	31	163	25	163	25	163	25	1.7	1.1
50	2	203	38	188	38.10	189	38	188	30	188	30	188	30	2.6	1.6

※ The valve should be installed in correct flow direction according to the arrow marked on open position display plate.