

JIS10K

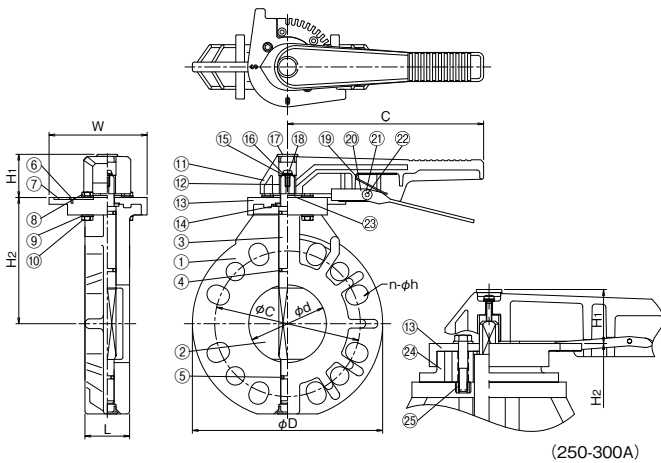
ANSI

DIN/ISO

# ESLON ROTARY DAMPER



- Damper butterfly valve for airflow control.
- Changeable operating direction of lever handle into opposite even after installation.
- Positioning pin for easy piping work (JIS10K)



## Parts List

No.	Part Name	Q'ty	Material	No.	Part Name	Q'ty	Material
①	Body	1	PVC	⑭	Thrust Ring	1	SUS304
②	Disc	1	PVC	⑮	Washer	1	SUS304
③	Shaft	1	PVC	⑯	Spring Washer	1	SUS304
④	O-ring	2	EPDMorFKM	⑰	Cap	1	PP
⑤	O-ring	1	EPDMorFKM	⑱	Machine Screw	1	SUS304
⑥	Topping Screw	3	SUS304	⑲	Flat Spring	1	SUS304
⑦	Lock Plate	1	SUS304	⑳	Lever	1	SUS304
⑧	Hexagon Bolt	2	SUS304	㉑	Pin Cover	1	PP
⑨	Washer	4	SUS304	㉒	Spring Pin	1	SUS304
⑩	Nut	2	SUS304	㉓	Handle Washer	1	PP
⑪	Handle	1	ABS	㉔	Yoke(250,300A)	1	PVC
⑫	Handle Insert	1	SUS304	㉕	Insert(250,300A)	2	C3604
⑬	Indicator Plate	1	PVC				

Unit:mm

Size		d	L	Height		W	C	Flange(JIS 10K)			Weight(kg/pc)	Q'ty per Carton
A	B			H1	H2			φD	φC	n-φh		
40	1 1/2	45	31	44	112	101	202	140	105	4-19	1.2	1
50	2	57	40	44	119	101	202	155	120	4-19	1.4	1
65	2 1/2	71	43	44	130	101	202	178	140	4-19	1.7	1
80	3	80	46	44	137	101	202	196	150	8-19	2.0	1
100	4	100	52	44	161	123	245	229	175	8-19	3.1	1
125	5	125	56	54	179	155	310	254	210	8-23	4.7	1
150	6	150	60	54	188	155	310	286	240	8-23	5.6	1
200	8	198	71	68	240	200	400	343	290	12-23	9.1	1
250	10	246	73	68	300	200	400	410	355	12-25	18.5	1
300	12	299	114	68	330	200	400	485	400	16-25	26.2	1

\*Only PVC JIS10K type has centering pin A.

## Usable Temperature & Maximum Working Pressure

Material	Usable Temperature (°C)	max. Working Pressure at Room Temp(MPa)	
		40~200A	250~300A
PVC	0~50°C	0.1	0.05

## Conforming Standard

Connection	Standard	Classification
Flange	JIS10K	JIS B 2220(Rc)
	ANSI	ASME / ANSI B16.5
	DIN/ISO	DIN EN 1092-1 PN-10

\*For flange, dimension of bolt holes conforming the standards