

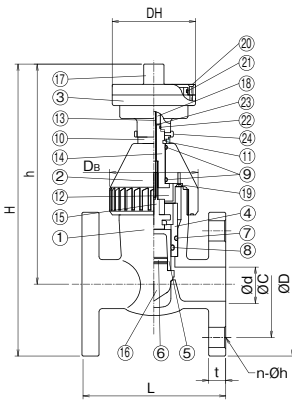
JIS10K

ESLON NEEDLE VALVE

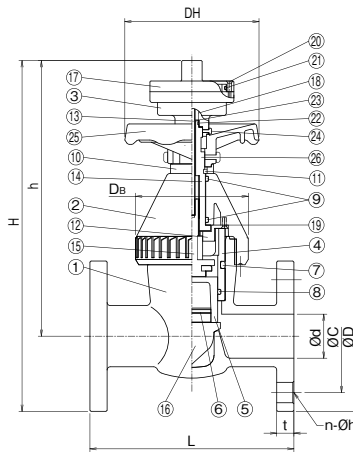


- Equal percentage flow characteristic proportional to valve openness by unique plug design.
- Large visual indicator on the top of handle for flow percentage control.
- High chemical resistance, lightweight & compact as all plastic component.

● Flange Type (15A~32A)



● Flange Type (40A)



Parts List

No.	Part Name	Q'ty	Material	No.	Part Name	Q'ty	Material
①	Body	1	PVC	⑭	Stem Sleeve	1	SUS304
②	Bonnet	1	PVC	⑮	Stem	1	SUS304
③	Indicator	1	PVC	⑯	Disk	1	PP
④	Bush	1	PVC	⑰	Indicator Cover	1	PC
⑤	Disk Holder	1	PVC	⑱	Indicator Stud Cover	1	C3604
⑥	Pin	1	PVC	⑲	Screw	4	SUS304
⑦	O-Ring	1	EPDM or FKM	⑳	Screw	3	SUS304
⑧	O-Ring	1	EPDM or FKM	㉑	O-Ring	1	NBR
⑨	O-Ring	2	NBR	㉒	O-Ring	1	NBR
⑩	Collar	1	PP	㉓	Thrust Washer	1	SUS304
⑪	Retaining Ring	15-20A: 1 25-40A: 1	C3604 PP	㉔	Screw	2	SUS304
⑫	Stopper	1	SUS304	㉕	Handle	1	ABS
⑬	Indicator Stud Collt	1	SUS304	㉖	Screw	2	SUS304

Conforming Standard

Connection	Standard	Classification
Flange	JIS10K	JIS B 2220

For flange, dimension of bolt holes conforming the standards

Size

Size		d	L	Flange				Height		Handle DH	D _b	Weight (kg/pc)	Q'ty per Carton
A	B			φD	φC	n-φh	t	H	h				
15	1/2	16	85	95	70	4-15	14	217	170	80	52	0.8	1
20	3/4	21	95	100	75	4-15	14	232	182	80	62	1.0	1
25	1	26	110	125	90	4-19	14	255	192	80	72	1.4	1
32	1 1/4	32	135	135	100	4-19	16	275	207	80	83	1.7	1
40	1 1/2	41	190	140	105	4-19	16	328	257	125	105	2.5	1

Unit:mm

Usable Liquid Temperature & Maximum Working Pressure

Material	Usable Temperature (°C)	max. Working Pressure at Room Temp (MPa)
PVC	0~50	1.0

⚠ Important Notes

Fluid containing slurry, solid, sediment, or crystallized fluid might disable sealing.

Flow Characteristic of Needle Valve

