



JIS10K ANSI/ASTM DIN/ISO

ESLON PNEUMATIC BUTTERFLY VALVE TYPE S

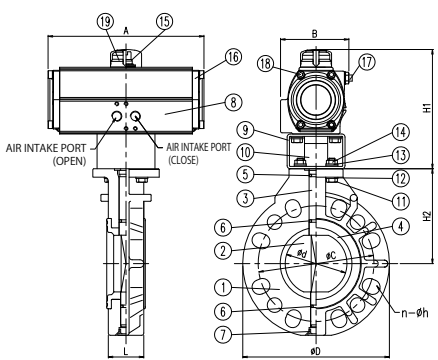


- ⊙ Light weight and compact of aluminum actuator.
- ⊙ Excellent corrosion resistance.
- ⊙ Changeable into automatic/manual operation.
- ⊙ Air pressure for open/close operation : 0.4MPa
- ⊙ Manual side wheel handle for open/close is available.
- ⊙ Box type of Limit switch is available as optional accessory.
- ⊙ Conformity with NAMUR standard.

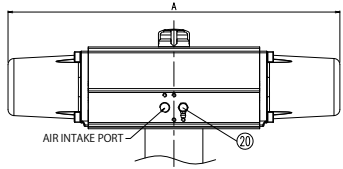
Parts List

| No. | Part Name | Q'ty | Material |
|-----|-------------------------------|------|--------------------|
| ① | Body | 1 | PVC, PP or PVDF |
| ② | Disc | 1 | PP or PVDF |
| ③ | Shaft | 1 | SUS420J2 or SUS316 |
| ④ | Seat Ring | 1 | EPDM or FKM |
| ⑤ | O-ring | 1 | EPDM or FKM |
| ⑥ | O-ring | 2 | EPDM or FKM |
| ⑦ | Lower Cap | 1 | PP |
| ⑧ | Cylinder | 1 | AL6063 |
| ⑨ | Yoke | 1 | STKR+Painting |
| ⑩ | Connector | 1 | SUS303 |
| ⑪ | Hexagon Bolt | 8 | SUS304 |
| ⑫ | Washer | 12 | SUS304 |
| ⑬ | Spring Washer | 8 | SUS304 |
| ⑭ | Nut | 4 | SUS304 |
| ⑮ | Shaft | 1 | SCM435 |
| ⑯ | Cover | 2 | AL12 |
| ⑰ | Adjust Bolt | 2 | SUS304 |
| ⑱ | Cover Bolt | 8 | SUS304 |
| ⑲ | Shaft Cover | 1 | PA+PE |
| ⑳ | Cylinder Ventilation Plug | 1 | C3601:Cr Plating |
| ㉑ | Reinforced Ring (350,400A PP) | 2 | S45C+Painting |

[Double Action]



[Air To Open&Close]



⚠ Important Notes
Fluid containing slurry, solid, sediment, or crystallized fluid might disable sealing.

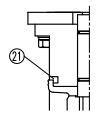
Conforming Standard

| Connection | Standard | Classification |
|------------|----------|---------------------|
| | JIS10K | JIS B 2220 |
| Flange | ANSI | ASME / ANSI B16.5 |
| | DIN/ISO | DIN EN 1092-1 PN-10 |

*For flange, dimension of bolt holes conforming the standards

350, 400A
(Only for PP)

[Box type of Limit switch]



Size

| Size | | L | Double Action | | Air To Open&Close | | Actuator | | | | Max. Working Pressure at Room Temp. (MPa) | Air Consumption (ℓ/time/unit) | | Weight (kg/pc) | |
|------|-------|-----|---------------|-----|-------------------|-----|---------------|-----|-------------------|-----|---|-------------------------------|---------------------|----------------|---------------------|
| A | B | | H1 | H2 | H1 | H2 | Double Action | | Air To Open&Close | | | Double Action | Air To Open & Close | Double Action | Air To Open & Close |
| 40 | 1 1/2 | 33 | 138 | 105 | 138 | 105 | 162 | 75 | 257 | 78 | 1.0 | 0.24 | 0.11 | 2.5 | 2.6 |
| 50 | 2 | 43 | 138 | 112 | 155 | 112 | 162 | 75 | 314 | 89 | 1.0 | 0.24 | 0.24 | 2.7 | 3.7 |
| 65 | 2 1/2 | 46 | 138 | 123 | 155 | 123 | 162 | 75 | 314 | 89 | 1.0 | 0.24 | 0.24 | 3.1 | 4.5 |
| 80 | 3 | 46 | 155 | 130 | 174 | 130 | 202 | 89 | 430 | 101 | 1.0 | 0.49 | 0.48 | 4.4 | 7.0 |
| 100 | 4 | 52 | 175 | 152 | 197 | 152 | 262 | 101 | 500 | 129 | 1.0 | 1.02 | 0.86 | 6.6 | 12.4 |
| 125 | 5 | 56 | 228 | 169 | 253 | 169 | 311 | 129 | 606 | 151 | 1.0 | 1.83 | 1.68 | 9.9 | 18.9 |
| 150 | 6 | 60 | 252 | 178 | 271 | 178 | 390 | 151 | 682 | 164 | 1.0 | 3.46 | 2.45 | 16.6 | 28.6 |
| 200 | 8 | 71 | 252 | 230 | 298 | 230 | 390 | 151 | 781 | 188 | 1.0 | 3.46 | 3.74 | 18.2 | 41.3 |
| 250 | 10 | 76 | 277 | 250 | 323 | 250 | 390 | 151 | 781 | 188 | 1.0 | 3.46 | 3.74 | 27.0 | 47.9 |
| 300 | 12 | 114 | 295 | 280 | 323 | 280 | 431 | 164 | 781 | 188 | 1.0 | 5.19 | 3.74 | 41.1 | 54.9 |
| 350 | 14 | 129 | 323 | 325 | 387 | 325 | 506 | 188 | 982 | 231 | 0.75 | 7.96 | 6.19 | 55.0 | 97.4 |
| 400 | 16 | 169 | 323 | 350 | 387 | 350 | 506 | 188 | 982 | 231 | 0.6 | 7.96 | 6.19 | 62.3 | 105.0 |

Option

| | |
|------------------------------|-----------------------|
| Solenoid valve | Speed controller |
| Limit switch | Regulator with filter |
| Pneumatic positioner | Side Handle |
| Electro pneumatic positioner | |

*Various optional accessories can be attached on request.

Max. Operating Temperature

| Material | Max. (°C) |
|----------|-----------|
| PVC | 50 |
| PP | 80 |
| PVDF | 120 |

Standard Operating Air Pressure

| | | |
|----------|-------------------|--------|
| Standard | Double Action | 0.4MPa |
| | Air To Open&Close | 0.4MPa |

Air Supply Port

| | |
|-------------------|--------|
| Double Action | Rc 1/4 |
| Air To Open&Close | Rc 1/4 |

Pneumatic Valve