

JIS

ANSI/ASTM

DIN/ISO



# ESLON PNEUMATIC BALL VALVE TYPE S

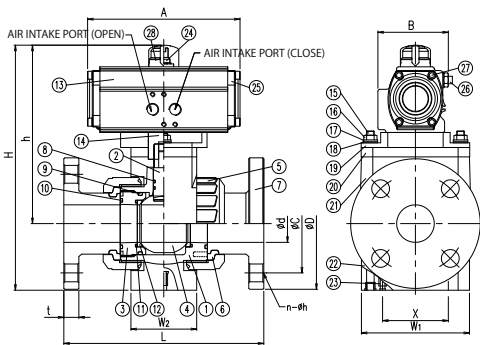


- Light weight and compact aluminum actuator.
- Excellent chemical & corrosion resistance.
- Changeable into automatic/manual operation.
- Air pressure for open/close operation : 0.4MPa.
- Manual side wheel handle for open/close is available.
- Box type of Limit switch is available as optional accessory.
- Conformity with NAMUR standard.

### Conforming Standard

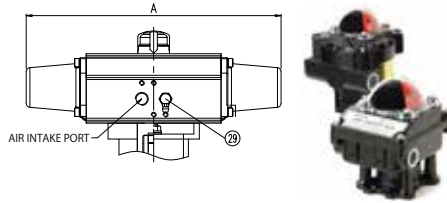
Connection	Standard	Classification
Flange	JIS10K	JIS B 2220
	ANSI	ASME / ANSI B16.5
	DIN/ISO	DIN EN 1092-1 PN-10
Socket	JIS	JIS K 6743, AS21(65A)
	ASTM	ASTM D2467
Thread	DIN/ISO	DIN8063
	JIS	JIS B 0203(Rc)
	ANSI	ANSI B1.20.1(NPT)
Butt	DIN/ISO	DIN8077 (PP)
		ISO10931 (PVDF)

### ● Flange Type (Double Action)

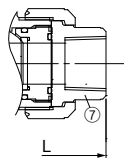


(Air To Open&Close)

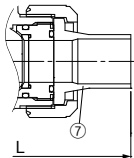
(Box type of Limit switch)



### ● Thread Type



### ● Butt Type



### Parts List

No.	Part Name	Q'ty	Material
①	Body	1	PP or PVDF
②	Stem	1	PP or PVDF
③	Ball Stopper	-	PP or PVDF
④	Ball	1	PP or PVDF
⑤	Union Nut	2	PP or PVDF
⑥	Set Ring	2	PP or PVDF
⑦	Connections	2	PP or PVDF
⑧	Stem O-Ring	-	EPDM or FKM
⑨	Ball Stopper O-Ring	-	EPDM or FKM
⑩	Union O-ring	2	EPDM or FKM
⑪	Ball Seat O-Ring	2	EPDM or FKM
⑫	Ball Seat	2	PTFE
⑬	Cylinder	1	AL6063
⑭	Connector	1	SUS303
⑮	Stud Bolt	2	SUS304

\*For flange, dimension of bolt holes conforming the standards

No.	Part Name	Q'ty	Material
⑯	Hexagon Nut	2	SUS304
⑰	Spring Washer	2	SUS304
⑱	Washer	2	SUS304
⑲	Yoke	1	FRP
⑳	Collar(Over 40A)	1	FRP
㉑	Upper Mount	1	FRP
㉒	Lower Mount	1	FRP
㉓	Insert Nut	-	C3601
㉔	Shaft	1	SCM435
㉕	Cover	2	AL12
㉖	Adjust Bolt	2	SUS304
㉗	Cover Bolt	8	SUS304
㉘	Shaft Cover	1	PA+PE
㉙	Cylinder Ventilation Plug	1	C3601:Chromium Coated

\*Stem O-ring material will be FKM+PTFE in case of oil free.

### Size

Flange type·Thread type·TS socket type·Butt type

Size	L			h	Actuator				W1	W2	X	Max. Working Pressure at Room Temp. (MPa)	Air Consumption (L/time/unit)		Weight (kg/pc)					
	A	B	Flange		Thread PVDF	Butt	Double Action	Air To Open & Close					Double Action	Air To Open & Close	Double Action	Air To Open & Close	Flange	Thread/TS Socket	Flange	Thread/TS Socket
15	1/2	143	99	143	116	155	70	45	133	75	92	50	50	1.0	0.15	0.05	0.8	0.6	1.0	0.8
20	3/4	172	116	152	122	161	70	45	133	75	92	50	50	1.0	0.15	0.05	0.9	0.7	1.1	0.9
25	1	187	136	161	158	173	97	60	133	75	92	50	50	1.0	0.20	0.05	1.1	0.9	1.3	1.0
32	1 1/4	190	148	167	174	174	162	75	257	75	98	60	55	1.0	0.24	0.11	2.4	1.8	2.5	2.0
40	1 1/2	212	169	190	190	190	162	75	257	75	117	70	70	1.0	0.24	0.11	3.0	2.4	2.7	2.1
50	2	234	196	216	197	214	162	75	314	89	135	70	85	1.0	0.24	0.24	3.7	2.8	5.0	4.1
65	2 1/2	259	227	208	244	263	202	89	430	101	163	90	115	1.0	0.49	0.48	6.5	5.4	9.5	8.4
80	3	304	278	301	271	290	202	89	430	101	198	110	140	1.0	0.49	0.48	8.7	7.8	11.5	10.6
100	4	372	330	340	321	343	262	101	500	129	240	110	180	1.0	1.02	0.86	14.8	13.8	20.2	19.2

Unit:mm

### Option

Solenoid valve	Speed controller
Limit switch	Regulator with filter
Pneumatic positioner	Side Handle
Electro pneumatic positioner	

\*Various optional accessories can be attached on request.

### Max. Operating Temperature

Material	Max. (°C)
PP	80
PVDF	100

### Standard Operating Air Pressure

Standard	Double Action	0.4MPa
	Air To Open&Close	0.4MPa

### Air Supply Port

Double Action	15~25A	Rc 1/8	32~100A	Rc 1/4
Air To Open&Close	15~100A	Rc 1/4		

### ⚠ Important Notes

- Gasifying, volatile, or evaporating fluid such as hydrogen peroxide and sodium hypochlorite might rise inner pressure of valve and burst the valve. Please contact us concerning such risk. Gas relief type of customized ball valve which has relief orifice on the ball is available.
- Do not use for the fluid containing slurry, solid, sediment, or crystallized fluid. Or for those kinds of fluid, strainer should be used in upstream.