

JIS

ANSI/ASTM

DIN/ISO

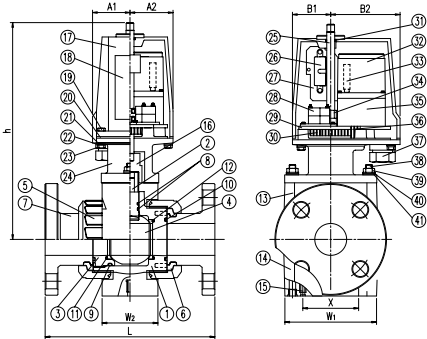
ELECTRIC

# ESLON ELECTRIC BALL VALVE TYPE KS

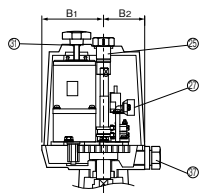
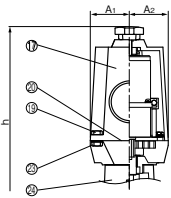


- Excellent chemical and corrosion resistance with epoxy resin coated aluminum actuator.
- Compact and high durability motor on board.
- High rotation speed of open-close operation.
- Visual position indicator built in the actuator.
- Manual open-close operation is available by wrench.

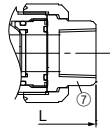
### ● Flange Type (15~40A)



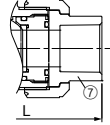
(50~100A)



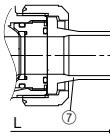
### ● Thread Type



### ● TS Socket Type



### ● Butt Type



### ■ Parts List

No.	Part Name	Q'ty	Material	No.	Part Name	Q'ty	Material
①	Body	1	PVC, HT, PP or PVDF	②③	Washer	4	SUS304
②	Stem	1	PVC, HT, PP or PVDF	④	Nut	4	SUS304
③	Ball Stopper	—	PVC, HT, PP or PVDF	⑤	Actuator base	1	AC-7+Painted by Epoxy Resin
④	Ball	1	PVC, HT, PP or PVDF	⑥	Open-Close Shaft	1	SUS303
⑤	Union Nut	2	PVC, HT, PP or PVDF	⑦	Condenser	1	—
⑥	Set Ring	2	PVC, HT, PP or PVDF	⑧	Terminal Block	1	Phenol Resin
⑦	Socket	2	PVC, HT, PP or PVDF	⑨	Micro Switch	2	OMRON: V-105-1A4
⑧	Stem O-Ring	—	EPDM or FKM	⑩	Motor base	1	AC-7
⑨	Ball Stopper O-Ring	—	EPDM or FKM	⑪	Gear B	1	S45C
⑩	Union O-ring	2	EPDM or FKM	⑫	O-ring	1	SBR
⑪	Ball Seat O-Ring	2	EPDM or FKM	⑬	Reversible Motor	1	—
⑫	Ball Seat	2	PTFE	⑭	Thermal protector	1	—
⑬	Upper Mount	1	FRP	⑮	Com	2	SUS400
⑭	Lower Mount	1	FRP	⑯	Cover Head	1	—
⑮	Insert Nut	2	C3601	⑰	Gear A	1	S45C
⑯	Driver stem	1	SUS303	⑱	Conduit gland	1	G1/2
⑰	Cover	1	AC-4+Painted by Epoxy Resin	⑲	Stud Bolt	2	SUS304
⑱	Face plate	1	AL-P	⑳	Nut	2	SUS304
⑲	Bolt	4	SUS304	㉑	Spring Washer	2	SUS304
㉑	Cover Gasket	1	NR	㉒	Washer	2	SUS304
㉒	Spring Washer	4	SUS304				

\*Stem O-ring material will be FKM+PTFE in case of oil free.

### ■ Option

No-voltage limit switch
Space Heater

### ■ Max. Operating Temperature

Material	Max. (°C)
PVC	50
HT	90
PP	80
PVDF	100

### ■ Conforming Standard

Connection	Standard	Classification
Flange	JIS10K	JIS B 2220
	ANSI	ASME / ANSI B16.5
	DIN/ISO	DIN EN 1092-1 PN-10
Socket	JIS	JIS K 6743, AS21(65A)
	ASTM	ASTM D2467
	DIN/ISO	DIN8063
Thread	JIS	JIS B 0203(Rc)
	ANSI	ANSI B1.20.1(NPT)
	DIN/ISO	DIN2999(Rc,Rp)
Butt	DIN/ISO	DIN8077 (PP)
	DIN/ISO	ISO10931 (PVDF)

\*For flange, dimension of bolt holes conforming the standards

### ■ Specification of Actuator

Nominal diameter(A)	15~40A	50~65A	80~100A	
Input system	Power switching system			
Contact output	Power supply voltage			
Operating voltage	Single-phase AC100,200V (50/60Hz)			
Motor	Type	Reversible motor		
	Time rating	30 minutes rating		
Protect	15~65A: Impedance protect inside			
	80~100A: Thermal protect inside			
	100V	0.2	0.3	0.6
Rated current	200V	0.15	0.15	0.3
	Manual operation	Drive shaft direct operation		
Connector type	G1/2 wire connector (max.φ10.5 Cabtire cable)			
Material	AC-4 Epoxy coating			
Protection	IP63			

### ⚠ Important Notes

- Gasifying, volatile, or evaporating fluid such as hydrogen peroxide and sodium hypochlorite might rise inner pressure of valve and burst the valve. Please contact us concerning such risk. Gas relief type of customized ball valve which has relief orifice on the ball is available.
- Do not use for the fluid containing slurry, solid, sediment, or crystallized fluid. Or for those kinds of fluid, strainer should be used in upstream.

### ■ Size

#### Flange Type·Thread Type·TS Socket Type·Butt Type

Size		L						h	Actuator				W1		W2	X	Max. Working Pressure at Room Temp (MPa)	Time For Open-Close		Weight (kg/pc)	
A	B	Flange		Thread		TS Socket	Butt		A1	A2	B1	B2	Flange	Thread-TS Socket				50Hz	60Hz	Flange	Thread-TS Socket
15	1/2	143	143	97	99	109	154	229	48	54	48	88	92	92	50	50	1.0	4	3	3.3	3.0
20	3/4	172	172	117	116	132	162	232	48	54	48	88	92	92	50	50	1.0	4	3	3.5	3.1
25	1	187	187	128	136	143	171	246	48	54	48	88	92	92	50	50	1.0	4	3	3.8	3.3
32	1 1/4	190	190	146	148	166	177	252	48	54	48	88	97	98	60	55	1.0	7	6	4.0	3.4
40	1 1/2	212	212	163	169	175	192	271	48	54	48	88	120	117	70	70	1.0	7	6	4.7	4.1
50	2	234	234	188	196	203	206	329	55	55	87	58	135	135	70	85	1.0	7	6	7.7	6.8
65	2 1/2	259	257	227	227	259	—	339	55	55	87	58	166	163	90	115	1.0	7	6	9.8	8.6
80	3	304	301	278	278	304	—	425	65	65	92	88	192	198	110	140	1.0	7	6	15.7	14.7
100	4	372	372	330	330	390	—	455	65	65	92	88	236	240	110	180	1.0	7	6	21.6	21.0

Unit:mm

