

JIS ANSI/ASME/ASTM DIN/ISO



Operating Temperature(°C)

PVC	0 ~ 50	PP	-20 ~ 80
HT-CPVC	0 ~ 90	PVDF	-20 ~ 100



## ESLON ELECTRIC BALL VALVE TYPE K

### Feature

- Light weight and compact of actuator with aluminum die-cast housing.
- Excellent chemical and corrosion resistance.
- Visual position indicator on actuator.
- Easy flow control and water hammer prevention by slow action.
- Suitable for frequent operation with constant rating type of motor onboard.
- Conformity with CE.

### Specification of Actuator

Nominal diameter(A)	15~65A	80·100A	
Input system	Power switching system		
Contact output	Power supply voltage		
Operating voltage	Single-phase AC100,200V(50/60Hz)		
Motor	Type	Reversible motor	
	Time rating	Continuous rating	
Protect	Thermal protect inside Adjustable mechanical stopper for open and close-side		
Rated current	100/110V	0.7/0.9A	0.65/0.70A
	200/220V	0.4/0.5A	0.35/0.40A
Manual operation	Drive shaft direct operation		
Connector type	G1/2 Conduit(t t Cable OD φ9-11)		
Material	ADC12 Resin Coating		
Protection	IP66		

### Time For Open-Close (50/60Hz)

Size (A)	Time(Sec.)
15-25A	4/3.3
32-65A	15/12.5
80,100A	30/25

### ⚠ Important Notes

- Gasifying, volatile, or evaporating fluid such as hydrogen peroxide and sodium hypochlorite might rise inner pressure of valve and burst the valve. Please contact us concerning such risk. Gas relief type of customized ball valve which has relief orifice on the ball is available.
- Do not use for the fluid containing slurry, solid, sediment, or crystallized fluid. Or for those kinds of fluid, strainer should be used in upstream.

### Maximum Working Pressure - Temperature Rating

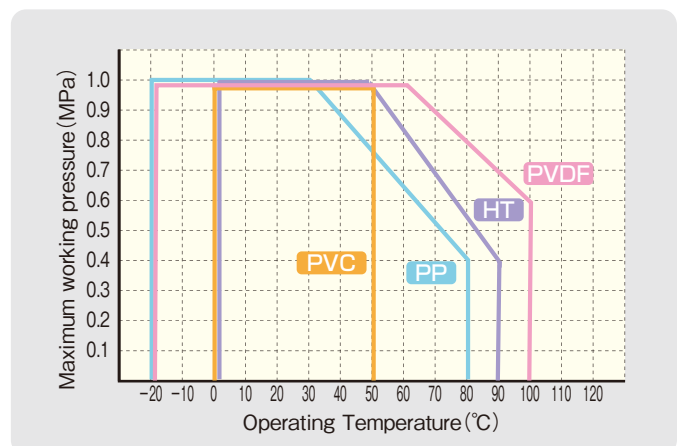
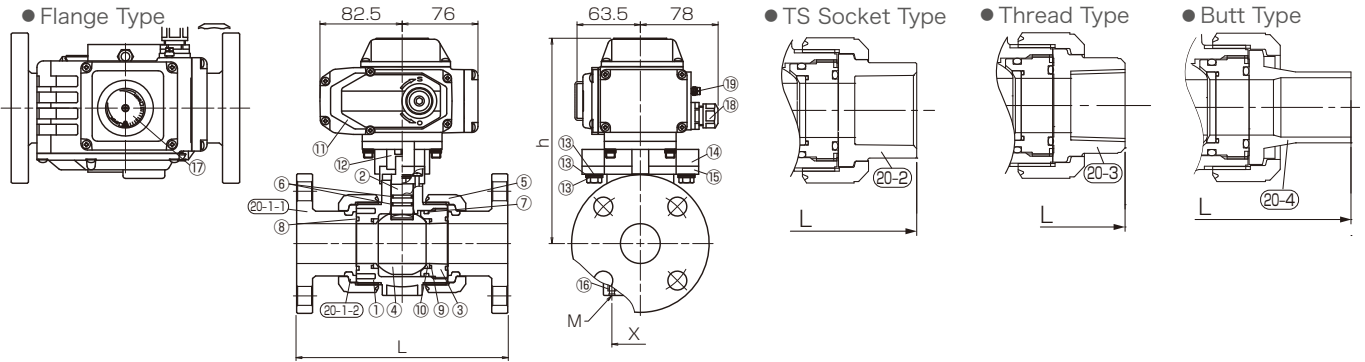


Figure (Flange Type · TS Socket Type · Thread Type · Butt Type)



**Parts List**

No.	Part Name	QTY	Material / Type	No.	Part Name	QTY	Material / Type
1	Body	1	● PVC	13	Bolt,Washer	-	SUS304
2	Stem	1	● HT(JIS:Brown)	14	Upper mount	1	AC4A
3	Ball holder	1	● CPVC(ANSI-DIN:Gray)	15	Lower mount	1	GF-PP
4	Ball	1	● PP	16	Fixing Insert Nut	2	C3601
5	Union nut	2	● PVDF	17	Valve Position Indicator	1	Tempered glass
6	Stem O-ring*1	2		18	Electric wire connector	1	PA, G1/2
7	Ball holder O-ring	1	● EPDM	19	Earth Terminal *2	1	SS400/Nickel Coated
8	Union O-ring	2	● FKM	20-1	Flange,Set ring	2	● PVC ● HT ● CPVC ● PP ● PVDF
9	Ball seat O-ring	2		20-2	TS Socket	2	● PVC ● HT ● CPVC
10	Ball Seat	2	PTFE	20-3	Threaded socket	2	● PVC ● PVDF
11	Actuator	1	ADC12(Resin Coating)	20-4	Butt Spigot Type	2	● PP ● PVDF ● PE
12	Connector	1	pvcZDC3	20-5	Socket welding	2	PP

**Option**

- No-voltage limit switch
- Potentiometer
- Space heater
- Proportional control (please contact us)

\*1 Stem O-Ring material will be FKM+PTFE in case of Oil Free \*2 AC200 / 220V

**Size**

Flange type · Thread type · TS socket type · Butt type

Unit : mm

Size		A		B		Fixing Insert		Flange															
A	B	Double Action	Air to open Air to close	Double Action	Air to open Air to close	X	M	Nut		JIS10K				ANSI				DIN					
								PVC,HT,CPVC	PP,PVDF	φ D	φ C	n-φ h	t	φ D	φ C	n-φ h	t	φ D	φ C	n-φ h	t		
15	1/2	15	147	97	133	60	75	27.0	M5	143	95	70	4-15	14	89	60.5	4-16	11.5	95	65	4-14	11	
20	3/4	20	152	97	133	60	75	32	M5	172	100	75	4-15	14	98	70	4-16	13	105	75	4-14	12	
25	1	25	162	97	133	60	75	37	M5	187	125	90	4-19	14	108	79.5	4-16	14.5	115	85	4-14	14	
32	1 1/4	32	170	162	257	75	75	42	M5	190	135	100	4-19	16	117.5	89	4-16	16	140	100	4-18	15	
40	1 1/2	40	193	162	257	75	75	57	M6	212	140	105	4-19	16	127	98.5	4-16	17.5	150	110	4-18	16	
50	2	50	216	162	314	75	89	67	M6	234	155	120	4-19	20	152	120.5	4-19	19.5	165	125	4-18	18	
65	2 1/2	65	264	202	430	89	101	81	M6	259	257	175	140	4-19	22	178	139.5	4-20	22.5	185	145	4-18	22
80	3	80	275	202	430	89	101	99.7	M8	304	301	185	150	8-19	22	191	152.5	4-20	24	200	160	8-18	23
100	4	100	341	262	500	101	129	119.7	M8	372	367	210	175	8-19	24	229	190.5	8-20	24	220	180	8-18	23

Size		TS Socket						Thread											
A	B	JIS		ASTM		DIN		JIS,DIN (Rc)				ANSI (NPT)				DIN (Rp)			
		PVC,HT,CPVC		PVC,HT,CPVC		PVC,HT,CPVC		PVC		PVDF		PVC		PVDF		PVC		PVDF	
		L	ℓ	L	ℓ	L	ℓ	L	ℓ	L	ℓ	L	ℓ	L	ℓ	L	ℓ		
15	1/2	109	22	103	22.22	92	16	97	18	99	20	97	18	99	99	97	18	99	99
20	3/4	132	25	119	25.4	107	19	117	18	116	22	117	18	116	116	117	18	116	116
25	1	143	29	133	28.58	121	22	128	23	136	24	128	23	136	136	128	23	136	136
32	1 1/4	166	32	147	31.75	137	26	146	23	148	25	146	23	148	148	146	23	148	148
40	1 1/2	175	35	171	34.93	161	31	163	25	169	28	163	25	169	169	163	25	169	169
50	2	203	38	188	38.1	189	38	188	30	196	30	188	30	196	196	188	30	196	196
65	2 1/2	259	61	211	44.45	211	44	227	32	227	32	212	32	212	227	212	32	212	227
80	3	311	64	262	47.63	263	51	278	37	278	37	261	37	261	278	261	37	261	278
100	4	390	84	315	57.15	315	61	330	45	330	45	315	45	315	330	315	45	315	330

Size		Butt Spigot						Socket welding			Ref.Weight Body:PVC (kg/unit)	
A	B	DIN		DIN		JIS		DIN			Flange	TS Socket Thread
		PP,PVDF		PE		PE		PP				
		L	ℓ	L	ℓ	L	ℓ	L	ℓ 1	ℓ 2		
15	1/2	143	30	210	65	-	-	103	17.5	12	3.0	2.8
20	3/4	152	24	220	65	-	-	114	19	13	3.3	2.9
25	1	161	24	237	70	247	75	126	21	14.5	3.5	3.0
32	1 1/4	167	25	258	75	-	-	141	23.5	18	3.9	3.2
40	1 1/2	190	24	292	80	291	80	162	26.5	16	4.5	3.7
50	2	216	28	325	90	314	85	185	30.5	20	5.3	4.3
65	2 1/2	208	23	363	100	-	-	204	34	21	7.1	5.9
80	3	301	45	424	105	424	105	264	37	26.5	11.4	10.3
100	4	340	43	478	110	498	120	317	41	31.5	16.2	15.3