

JIS10K

ANSI/ASTM

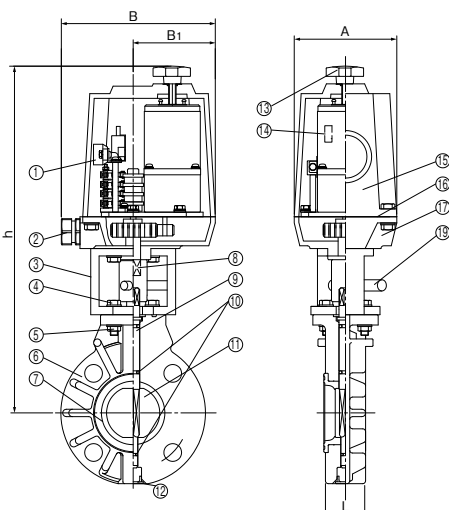
DIN/ISO

ESLON ELECTRIC BUTTERFLY VALVE TYPE KS

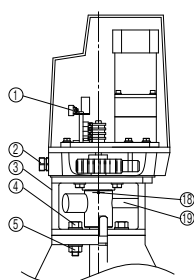


- ⊙ Excellent chemical and corrosion resistance with Epoxy resin coated aluminum actuator.
- ⊙ Compact and high durability motor onboard.
- ⊙ High rotation speed of open-close operation.
- ⊙ Visual position indicator built in the actuator.
- ⊙ Manual open-close operation is available by wrench.

(40~200A)



(250~300A)



Parts List

No.	Part Name	Q'ty	Material
①	Terminal Block	1	Phenol Resin
②	Conduit gland	1	G1/2
③	Yoke	1	AC-7/Epoxy Resin
④	Bolt	4	SUS304
⑤	Nut	4	SUS304
⑥	Body	1	PVC, PP or PVDF
⑦	Seat Ring	1	EPDM or FKM
⑧	Driver stem	1	SUS303/Epoxy Resin
⑨	Shaft	1	SUS420J2 or SUS316
⑩	O-ring	2	EPDM or FKM
⑪	Disc	1	PP or PVDF
⑫	Cap	1	PP
⑬	M/A switching screw	1	Epoxy Resin
⑭	Thermal protector	1	-
⑮	Cover	1	AC-4/Epoxy Resin
⑯	Cover Gasket	1	CR
⑰	Actuator base	1	AC-3/Epoxy Resin
⑱	M/A switching pin	1	SUS304(250A)
⑲	Manual operation handle	1	SUS304

Size

Size		L	h	Actuator			Max. Working Pressure at Room Temp. (MPa)	Time For Open-Close		Weight (kg/pc)
A	B			A	B	B1		50Hz	60Hz	
40	1 1/2	33	365	110	165	88	1.0	7.2	6	4.8
50	2	43	372	110	165	88	1.0	7.2	6	5.1
65	2 1/2	46	383	110	165	88	1.0	7.2	6	5.4
80	3	46	433	130	200	110	1.0	7.2	6	8.1
100	4	52	452	130	200	110	1.0	7.2	6	9.0
125	5	56	541	168	259	152	1.0	7.2	6	16.6
150	6	60	550	168	259	152	1.0	7.2	6	17.6
200	8	71	602	168	259	152	1.0	7.2	6	19.0
250	10	76	718	227	281	153	1.0	18.0	15	28.6
300	12	114	749	227	281	153	1.0	18.0	15	35.6

Conforming Standard

Connection	Standard	Classification
Flange	JIS10K	JIS B 2220
	ANSI	ASME / ANSI B16.5
	DIN/ISO	DIN EN 1092-1 PN-10

*For flange, dimension of bolt holes conforming the standards

Option

No-voltage limit switch
Space heater

Specification of Actuator

Nominal diameter(A)	40~65A	80-100A	125~200A	250-300A	
Input system	Power switching system				
Contact output	Power supply voltage				
Operating voltage	Single-phase AC100/200V 50/60Hz				
Motor	Type	Reversible motor			
	Time rating	30 minutes rating			
Protect	40~65A: impedance protect inside 80~300A: Thermal protect inside				
Rated current	100V	0.3	0.6	1.0	1.8
	200V	0.15	0.3	0.5	0.9
Manual operation	Manual handle for open-close				
Connector type	G1/2 wire connector (max. φ10.5 Cabtire cable)				
Material	AC-4 Epoxy coating				
Protection	IP63				

Max. Operating Temperature

Material	Max. (°C)
PVC	50
PP	80
PVDF	120