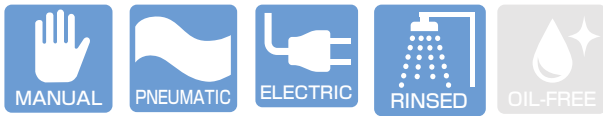




JIS ANSI/ASME DIN



Operating Temperature(°C)

PVC	0 ~ 50
PP	0 ~ 80
PVDF	0 ~ 120



ESLON ELECTRIC BUTTERFLY VALVE TYPE K

Feature

- Light weight and compact of actuator with aluminum die-cast housing.
- Excellent chemical and corrosion resistance.
- Visual position indicator built in the actuator.
- Easy flow control and water hammer prevention by slow action.
- Suitable for frequent operation with constant rating type of motor onboard.
- Manual open-close operation is available by attached handle.
- Conformity with CE.

Specification of Actuator

Nominal diameter(A)	40~65A	80~100A	125~200A	250~300A
Input system	Power switching system			
Contact output	Power supply voltage			
Operating voltage	Single-phase AC100/110,200/220V(50/60Hz)			
Motor	Type	Reversible motor		
	Time rating	Continuous rating		
Protect	Thermal protect inside			
	Adjustable mechanical stopper for open-side and close-side			
Rated current	100/110V	0.7/0.9A	0.65/0.70A	1.1/1.2A
	200/220V	0.4/0.5A	0.35/0.40A	0.55/0.60A
Manual operation	with manual operation mechanism			
Connector type	G1/2 conduit (Cable ODΦ9~11)			
Material	ADC12 Resin coating			
Protection	IP66			

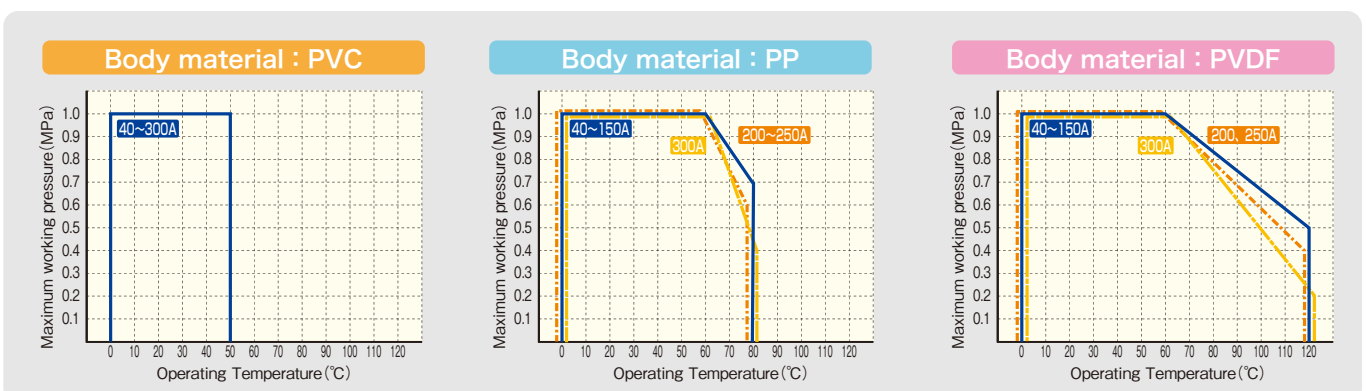
Time For Open-Close (50/60Hz)

Size (A)	Time(Sec.)
40-65A	15/12.5
80-300A	30/25

⚠ Important Notes

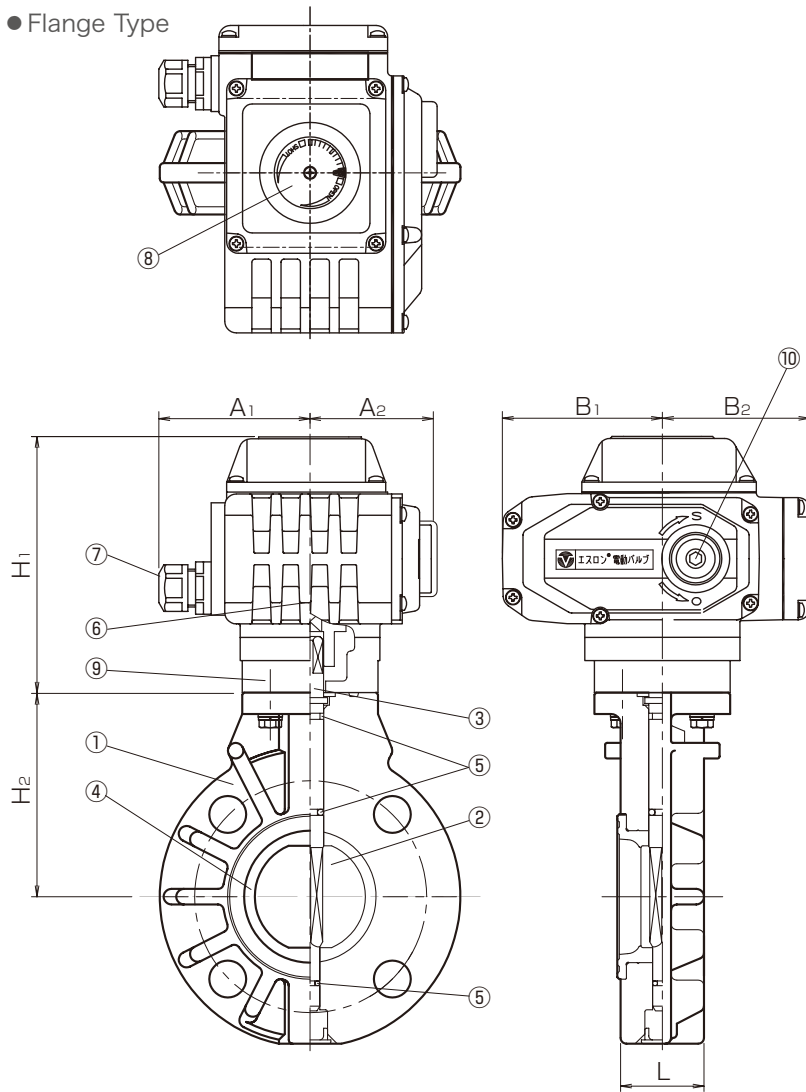
- Fluid containing slurry, solid, sediment, or crystallized fluid might disable sealing.

Maximum Working Pressure - Temperature Rating



Figure

● Flange Type



Parts List

No.	Part Name	QTY	Material / Type
1	Body	1	Body/Disc ● PVC / PP ● PP / PP ● PVDF / PVDF
2	Disc	1	● SUS420J2 ● SUS316
3	Shaft	1	● EPDM
4	Seat Ring	1	● FKM
5	O-Ring	1	ADC12
6	Actuator	1	PA, G1/2
7	Electric Conduit Gland	1	—
8	Indicator	1	—
9	Yoke	1	AC4A+Resin Coating
10	Handle shaft hole(Hex.)	1	S45C

Option

- No-voltage limit switch
- Potentiometer
- Space heater
- Proportional control
(please contact us)

Size

Unit : mm

Size		L	h	H ₁	H ₂	A ₁	A ₂	Ref. Weight (kg/unit)	Actuator
A	B								
40	1 1/2	33	230	134	105	63.5	78.0	3.3	EF-05
50	2	43	237	134	112	63.5	78.0	3.5	EF-05
65	2 1/2	46	248	134	123	63.5	78.0	3.8	EF-05
80	3	46	282	160	130	67.0	80.5	6.1	EF-10
100	4	52	302	160	152	67.0	80.5	6.9	EF-10
125	5	56	348	191	169	94.0	88.5	11.8	EF-20
150	6	60	357	191	178	94.0	88.5	12.8	EF-20
200	8	71	409	191	230	94.0	88.5	15.1	EF-20
250	10	73	486	236	250	137.0	105.0	33.0	EF-60
300	12	114	516	236	280	137.0	105.0	40.1	EF-60