

JIS

ANSI/ASTM

DIN/ISO

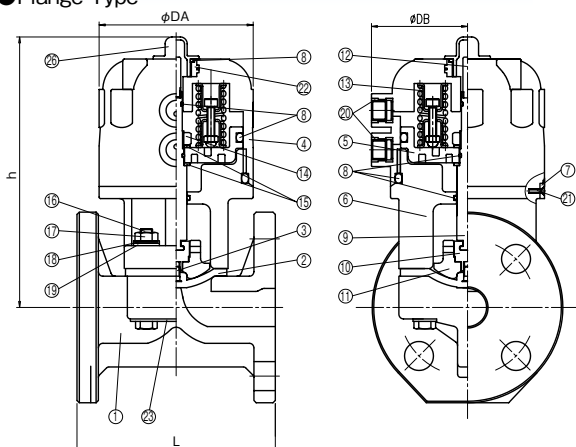


ESLON PNEUMATIC DIAPHRAGM VALVE TYPE F

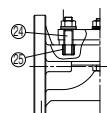


- High pressure rating and excellent sealing performance with optimized diaphragm design.
2 types of maximum working pressure, 1.0MPa / 0.7MPa for Normal Close Action.
- Optional accessories available on the top mount on request.
- Excellent chemical and corrosion resistance, light weight, and compact.
- Flat at the bottom of flange and insert nuts for prevention of tumbling and for better workability in plumbing.

● Flange Type



40, 50A



⚠ Important Notes
Fluid containing slurry, solid, sediment, or crystallized fluid might disable sealing.

■ Max. Operating Temperature

Material	Max. (°C)	
PVC	TS, Thread	50
	Flange	60
HT		90
PP		90
PVDF	Thread, Butt	100
	Flange	120

■ Parts List

No.	Part Name	Q'ty	Material
①	Body	1	PVC, HT, PP or PVDF
②	Diaphragm	1	EPDM or PTFE
③	Insert Bolt	1	(EPDM) SS400+Cr Plated SS (PTFE) SUS304
④	Cover	1	GF-PP
⑤	Piston	1	GF-PP
⑥	Housing	1	GF-PP
⑦	Centerring	1	GF-PP
⑧	O-ring	6	NBR
⑨	Spindle	1	SUS304
⑩	Metallic Fixtures for Compressor	1	C3604
⑪	Compressor	1	GF-PP
⑫	Indicator	1	PA
⑬	Spring unit	-	Spring Steel
⑭	Nut	1	SUS304
⑮	Washer	2	SUS304
⑯	Bolt	-	SUS304
⑰	Nut	-	SUS304
⑱	Spring Washer	-	SUS304
⑲	Washer	-	SUS304
⑳	Connection insert for air	2	SUS304
㉑	Thread	1	SUS304
㉒	Cover insert nut	1	SUS304
㉓	Supporting plate ※2)	2	SUS304
㉔	Stud bolt	-	SUS304 ※1)
㉕	Insert nut	-	(PVC, HT, PP) C3604 ※1) (PVDF) SUS304 ※1)
㉖	Cap cover	1	PC
㉗	Union Nut	2	PVC, HT or PVDF
㉘	O-ring	2	EPDM or FKM
㉙	Socket	2	PVC, HT or PVDF

※1 is only for 40 & 50A
※2 is only for HT, PP, and PVDF.

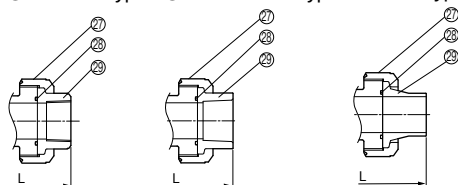
■ Option

※ Opening control unit	Pneumatic positioner
※ Closing control unit	Electro pneumatic positioner
※ Limit switch	Speed controller
Solenoid valve	Regulator with filter

※ Option parts cannot be combined.

Unit:mm

● Thread Type ● TS Socket Type ● Butt Type



■ Conforming Standard

Connection	Standard	Classification
Flange	JIS10K	JIS B 2220
	ANSI	ASME / ANSI B16.5
	DIN/ISO	DIN EN 1092-1 PN-10
Socket	JIS	JIS K 6743
	ASTM	ASTM D2467
	DIN/ISO	DIN8063
Thread	JIS	JIS B 0203 (RC)
	ANSI	ANSI B1.20.1 (NPT)
	DIN/ISO	DIN2999(Rc,Rp)
Butt	DIN/ISO	DIN8077 (PP) ISO10931 (PVDF)

● Flange : Dimension of bolt holes conforming the standard
● Socket : Dimension of D1 conforming the standard

■ Standard Operating Air Pressure

Standard	Double Action (15~50A)		0.4MPa	
	Air To Open	10k	(15~50A)	0.6MPa
		7k	(15~32A)	0.4MPa
			(32~50A)	0.5MPa
Air To Close (15~50A)			0.5MPa	

■ Air Supply Port

Double Action	Rc 1/4
Air To Open&Close	Rc 1/4

■ Size

Flange type · Thread type · TS socket type · Butt type

Size		L						h	DA	DB	Max. Working Pressure at Room Temp(MPa)				Air Consumption (ℓ/time/unit)			Weight (kg/pc) (Air to open)	
A	B	Flange	Thread		TS socket	Butt	Double Action				Air To Close	Air To Open		Double Action	Air To Close	Air To Open	Flange	Thread-TS Socket-Butt	
			PVC	PVDF								7k	10k						
15	1/2	110	133	134	144	185	1.0	1.0	0.7	1.0	0.34	0.21	0.13	1.6	1.6				
20	3/4	120	157	157	172	200	1.0	1.0	0.7	1.0	0.34	0.21	0.13	1.7	1.7				
25	1	130	173	180	187	212	1.0	1.0	0.7	1.0	0.34	0.21	0.13	1.8	1.8				
32	1 1/4	142	188	191	210	210	1.0	1.0	0.7	1.0	0.34	0.21	0.13	2.1	1.9				
40	1 1/2	180	248	248	262	273	1.0	1.0	0.7	1.0	1.79	0.99	0.80	8.0	8.0				
50	2	210	280	279	298	300	1.0	1.0	0.7	1.0	1.79	0.99	0.80	8.9	8.9				

