

JIS

ANSI/ASTM

DIN/ISO

PNEUMATIC

ESLON PNEUMATIC DIAPHRAGM VALVE TYPE B



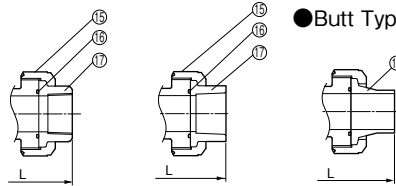
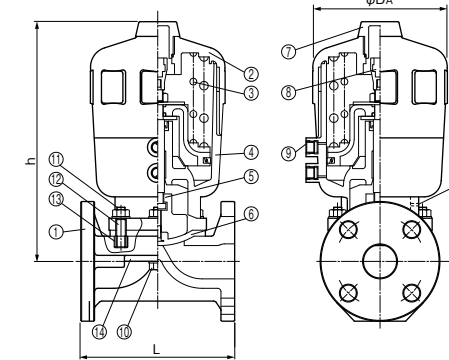
- Excellent chemical and corrosion resistance, light weight, and compact.
- Optional accessories available on the top mount on request.
- Flat at the bottom of flange and insert nuts for prevention of tumbling and for better workability in plumbing.

● Flange Type [15A~50A]

● Thread Type ● TS Socket Type

● Butt Type

■ Parts List



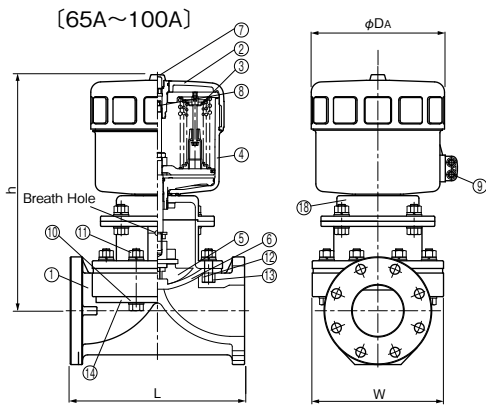
No.	Part Name	Q'ty	Material
①	Body	1	PVC, HT, PP or PVDF
②	Cover	1	GF-PA
③	Spring	1	Spring Steel
④	Housing	1	GF-PA
⑤	Compressor	1	50A or less SCS14 65A or more GF-PP
⑥	Diaphragm	1	EPDM or PTFE
⑦	Indicator Cover	1	PC
⑧	Indicator	1	PA
⑨	Connection insert for air	2	SUS303
⑩	Bolt	—	SUS304
⑪	Nut	6	SUS304
⑫	Stud bolt	4	SUS304
⑬	Insert nut	—	C3604, SUS304
⑭	Supporting Plate	2	50A or less SUS304 65A or more SS-400 Painted by Epoxy Resin
⑮	Union Nut	2	PVC, HT or PVDF
⑯	O-ring	2	EPDM or FKM
⑰	Socket	2	PVC, HT or PVDF
⑱	Bonnet	—	AC-7

■ Conforming Standard

Connection	Standard	Classification
Flange	JIS10K	JIS B 2220
	ANSI	ASME / ANSI B16.5
	DIN/ISO	DIN EN 1092-1 PN-10
Socket	JIS	JIS K 6743, AS21(65A)
	ASTM	ASTM D2467
	DIN/ISO	DIN8063
Thread	JIS	JIS B 0203 (Rc)
	ANSI	ANSI B1.20.1 (NPT)
	DIN/ISO	DIN2999 (Rc, Rp)
Butt	DIN/ISO	DIN8077 (PP)
		ISO10931 (PVDF)

·Flange : Dimension of bolt holes conforming the standard
 ·Socket : Dimension of D1 conforming the standard

·Part No.⑪~⑬ is only for 40A~100A.
 ·Part No.⑬ in PVDF is SUS304.



■ Option

※Limit switch for open-close	Solenoid valve
※Limit switch for open	Electro pneumatic positioner
※Manual handle for open-close	Speed controller
※Operating & Closing Control unit	Regulator with filter
※Opening control unit	

※Option parts cannot be combined.

■ Max. Operating Temperature

Material	Max. (°C)
PVC	TS, Thread 50
	Flange 60
HT	90
PP	90
PVDF	Thread, Butt 100
	Flange 120

⚠ Important Notes

Fluid containing slurry, solid, sediment, or crystallized fluid might disable sealing.

■ Standard Operating Air Pressure

Standard	Double Action	0.4MPa
	Air To Open&Close	0.5MPa

■ Air Supply Port

Double Action	G 1/4
Air To Open&Close	G 1/4

■ Size

Flange type·Thread type·TS socket type·Butt type

Size		L					h		DA	Max. Working Pressure at Room Temp (MPa)				Air Consumption (ℓ/time/unit)			Weight (kg/pc) (Air to open)	
A	B	Flange	Thread		TS socket	Butt	Flange	Thread-TS Socket-Butt		Double Action		Single Action		Double Action	Air To Close	Air To Open	Flange	Thread-TS Socket-Butt
			PVC	PVDF						EPDM	PTFE	EPDM	PTFE					
15	1/2	110	133	134	144	185	169	167	101	0.7	0.6	0.7	0.5	0.36	0.25	0.11	1.5	1.5
20	3/4	120	157	157	172	200	172	167	101	0.7	0.6	0.7	0.5	0.40	0.28	0.12	1.5	1.5
25	1	130	173	180	187	212	171	174	101	0.5	0.4	0.6	0.4	0.41	0.28	0.14	1.7	1.7
32	1 1/4	142	188	191	210	210	171	174	101	0.5	0.4	0.6	0.4	0.41	0.28	0.14	2.0	1.8
40	1 1/2	180	248	248	262	273	281	284	158	0.5	0.4	0.6	0.4	1.09	0.62	0.47	6.0	6.0
50	2	210	280	279	298	300	286	289	158	0.4	0.3	0.6	0.4	1.23	0.67	0.56	6.9	6.9
65	2 1/2	250	—	—	—	—	435	—	211	0.4	0.2	0.6	0.4	3.49	0.92	0.93	12.5	—
80	3	280	—	—	—	—	436(431)	—	211(261)	0.4	0.2	0.6	0.4	3.98	1.18	1.42	14.3	—
100	4	340	—	—	—	—	465(461)	—	211(261)	0.4	0.2	0.5	0.3	3.34	1.00	1.45	22.0	—

() : Normal Close
 ·Flange dimension of 32A is same as 40A, but long bolt hole on the flange.