

JIS10K



# ESLON AIR OPERATION VALVE



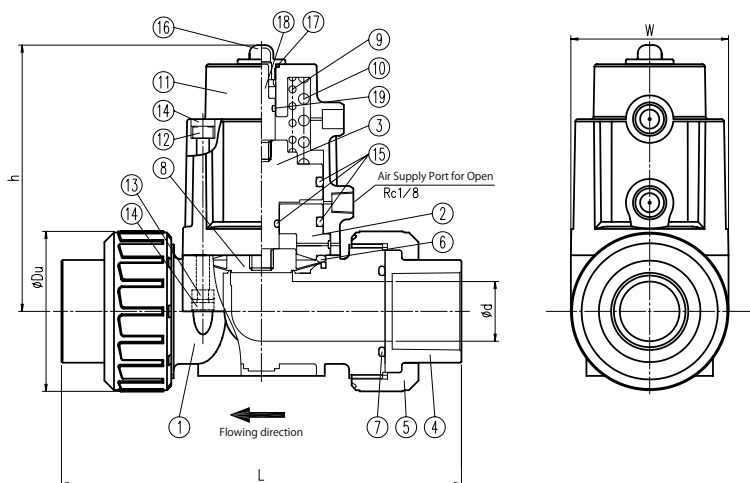
- ⊙ Light weight and compact of plastic actuator.
- ⊙ Excellent chemical and corrosion resistance.
- ⊙ Excellent open-close durability.
- ⊙ Water hammer prevention with optimized diaphragm design.
- ⊙ By-pass on the valve body to avoid dead water by closing is available as optional accessory.

### Conforming Standard

Connection	Standard	Classification
Socket	JIS	JIS K 6743, AS21(65A)
	ASTM	ASTM D2467
	DIN/ISO	DIN8063

### Parts List

No.	Part Name	Q'ty	Material
①	Body	1	PVC
②	Diaphragm Stopper	1	PVC
③	Piston	1	PVC
④	TS Socket	2	PVC
⑤	Union Nut	2	PVC
⑥	O-Ring	1	EPDM or FKM
⑦	O-Ring	2	EPDM or FKM
⑧	Diaphragm	1	PTFE
⑨	Spring	1	SUS304
⑩	Spring	1	SUS304
⑪	Housing	1	PPS-GF
⑫	Bolt	4	SUS304
⑬	Nut	4	SUS304
⑭	Cap	8	EPDM
⑮	O-Ring	3	EPDM
⑯	Indicator Cover	1	PC
⑰	O-Ring	1	EPDM
⑱	Indicator	1	PVC
⑲	O-Ring	1	EPDM



### Size

Size		d	L	h	W	Du	Max. Working Pressure at Room Temp. (MPa)	Air Consumption (ℓ/time/unit)			Weight (kg/pc)		
A	B							Double Action	Air To Close	Air To Open	Double Action	Air To Close	Air To Open
15	1/2	15	145	113	66	54	0.5	0.06	0.04	0.02	0.6	0.6	0.7
20	3/4	20	149	113	66	54	0.5	0.06	0.04	0.02	0.6	0.6	0.7
25	1	25	168	113	66	67	0.5	0.06	0.04	0.02	0.7	0.8	0.8
32	1 1/4	31	242	149	97	87	0.5	0.23	0.13	0.05	1.9	2.1	2.3
40	1 1/2	40	238	149	97	87	0.5	0.23	0.13	0.05	1.9	2.1	2.3
50	2	51	275	200	117	107	0.5	0.45	0.26	0.09	3.3	3.6	4.1
65	2 1/2	65	321	246	149	128	0.5	1.03	0.65	0.21	6.0	6.6	8.4

### Option

Opening controller	Speed controller
Opening controller + Indicator	Solenoid valve
By-pass	Regulator with filter
Pedestal	—

### Max. Operating Temperature

Material	Max. (°C)
PVC	50

### Standard Operating Air Pressure

Standard	Double Action	0.4MPa
	Air To Open&Close	0.5MPa

### Air Supply Port

Double Action	Rc 1/8
Air To Open&Close	Rc 1/8

### ⚠ Important Notes

Union nut is compatible only with Eslon True Union Fitting compact type. (Incompatible with Eslon Ball Valve, Diaphragm Valve, and True Union Fitting which is compatible with Ball Valve)