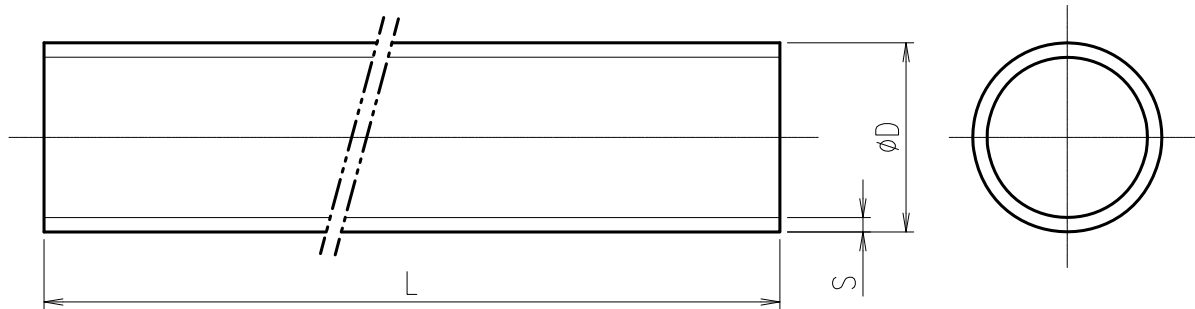


Eslon PVDF Fitting
Pipe



Dimension Table

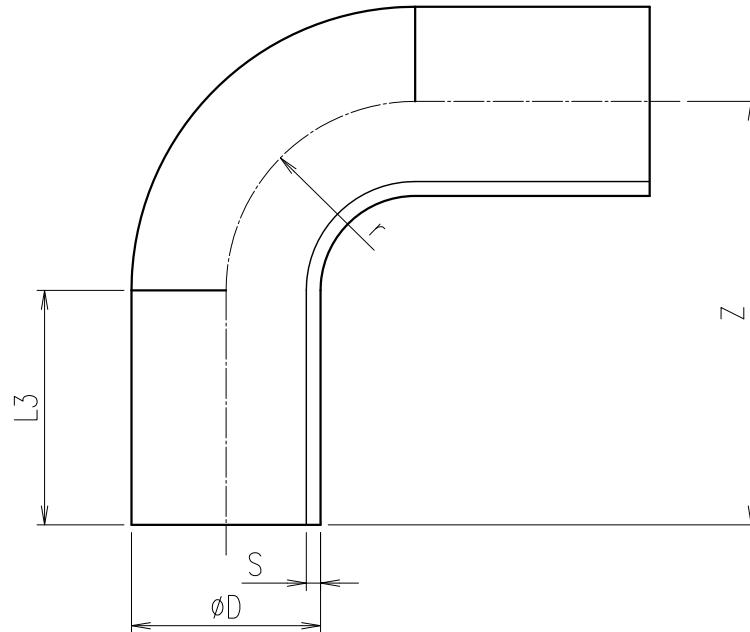
Unit: mm

Size	D	S	L
15	20	1.9	5000
20	25	1.9	
25	32	2.4	
32	40	2.4	
40	50	3.0	
50	63	3.0	
65	75	3.6	
80	90	4.3	
100	110	5.3	
125	140	4.3	
150	160	4.9	
200	225	6.9	

125A-200A : This is produced on order.

Eslon PVDF Fitting Pipe		Drawing No.
		PI20ABBFE
SEKISUI SEKISUI CHEMICAL CO.,LTD.	Date	Approved by:
	2001.06.18	

Eslon PVDF Fitting
Multi Bend 90°



Dimension Table

Unit: mm

Size	D	L3	Z	r	S
15	20	33 ± 3	51 ± 3	20	1.9
20	25	33 ± 3	56 ± 3	25	1.9
25	32	33 ± 3	63 ± 3	32	2.4
32	40	36 ± 3	72 ± 3	40	2.4
40	50	36 ± 3	84 ± 3	50	3.0
50	63	35 ± 3	97 ± 3	63	3.0
65	75	28 ± 3	100 ± 3	75	3.6
80	90	34 ± 3	123 ± 3	90	4.3
100	110	34 ± 3	142 ± 3	110	5.3

Eslon PVDF Fitting
Multi Bend 90°

Drawing No.

MB20ABBFE

SEKISUI

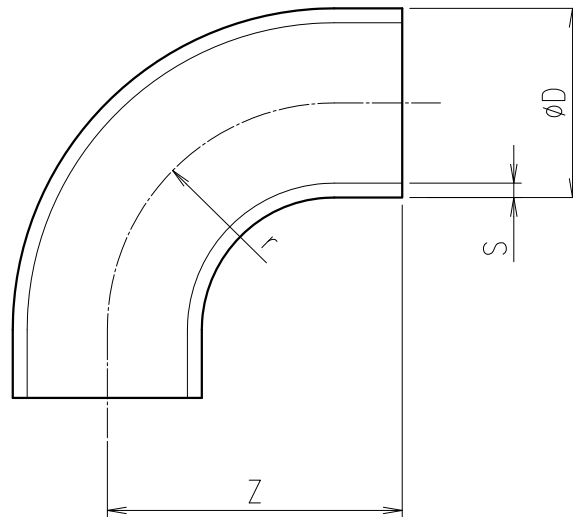
SEKISUI CHEMICAL CO.,LTD.

Date

2005.01.24

Approved by:

Eslon PVDF Fitting
Bend 90°



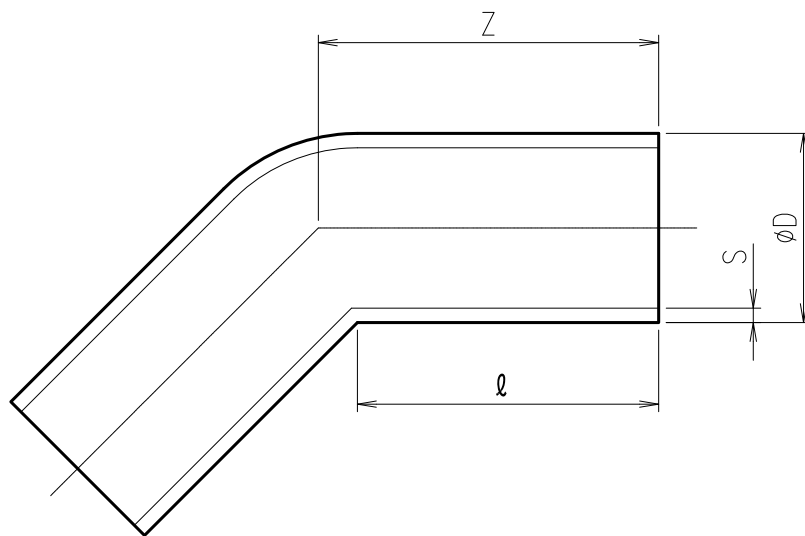
Dimension Table Unit: mm

Size	D	Z	r	S
125	140	148 ± 4	140	4.3
150	160	181 ± 4	157	4.9
200	225	243 ± 4	225	6.9

This is produced on order.

Eslon PVDF Fitting Bend 90°		Drawing No.
		LL20ABBFE
SEKISUI SEKISUI CHEMICAL CO.,LTD.	Date	Approved by:
	2005.01.24	

Eslon PVDF Fitting
Elbow 45°



Dimension Table

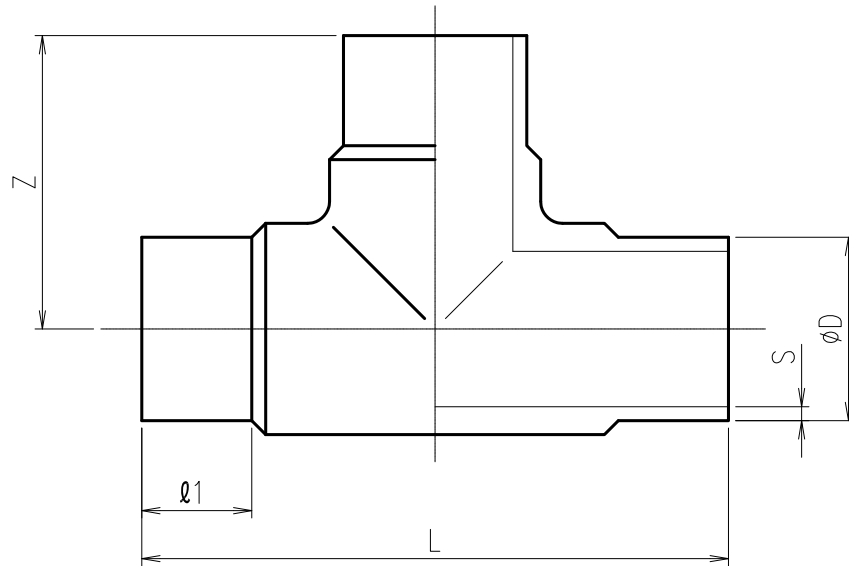
Unit: mm

Size	D	l	Z	S
15	20	39	43 ± 2	1.9
20	25	40	45 ± 2	1.9
25	32	46	52 ± 2	2.4
32	40	50	58 ± 3	2.4
40	50	56	66 ± 3	3.0
50	63	62	75 ± 3	3.0
80	90	36	59 ± 4	4.3
100	110	45	68 ± 4	5.3
125	140	57	85 ± 3	4.3
150	160	65	103 ± 5	4.9

125A–150A : This is produced on order.

Eslon PVDF Fitting Elbow 45°		Drawing No.
		HL20ABBFE
SEKISUI SEKISUI CHEMICAL CO.,LTD.	Date	Approved by:
	2001.06.18	

Eslon PVDF Fitting
Tee



Dimension Table

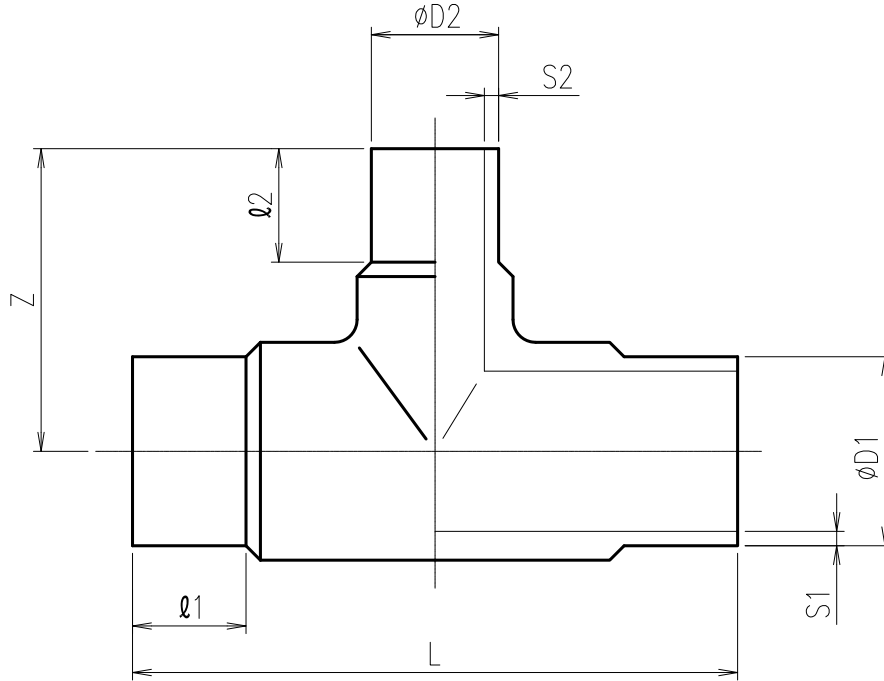
Unit: mm

Size	D	L	Z	Q1	S
15	20	75 ± 2	38 ± 2	25 ± 1	1.9
20	25	84 ± 2	42 ± 2	25 ± 1	1.9
25	32	90 ± 2	46 ± 2	25 ± 1	2.4
32	40	116 ± 2	58 ± 2	31 ± 1	2.4
40	50	126 ± 2	64 ± 2	31 ± 1	3.0
50	63	140 ± 2	70 ± 2	31 ± 1	3.0
65	75	178 ± 2	89 ± 2	42 ± 1	3.6
80	90	183 ± 2	92 ± 2	33 ± 1	4.3
100	110	223 ± 2	110 ± 2	33 ± 1	5.3
125	140	308 ± 4	154 ± 4	60 ± 2	4.3
150	160	279 ± 4	140 ± 4	45 ± 2	4.9
200	225	490 ± 4	245 ± 4	99 ± 2	6.9

125A–150A : This is produced on order.

Eslon PVDF Fitting Tee		Drawing No.
		FT20ABBFE
SEKISUI SEKISUI CHEMICAL CO.,LTD.	Date	Approved by:
	2001.06.18	

Eslon PVDF Fitting
Reducing Tee



Dimension Table

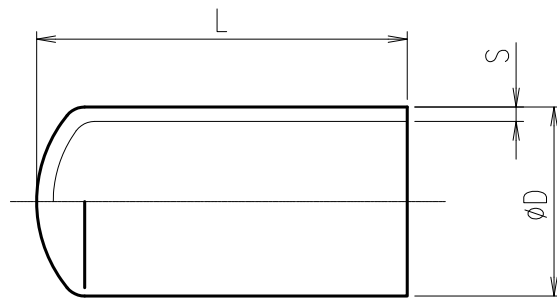
Unit:mm

Size	D1	D2	L	Z	$\phi 1$	$\phi 2$	S1	S2
50 x 25	63	32	149 ± 4	74 ± 2	28 ± 2	27 ± 2	3.0	2.4
80 x 50	90	63	263 ± 6	129 ± 4	75 ± 3	65 ± 2	4.3	3.0
100 x 50	110	63	312 ± 6	150 ± 4	85 ± 3	65 ± 2	5.3	3.0
100 x 80	110	90	313 ± 6	150 ± 4	87 ± 3	75 ± 2	5.3	4.3
150 x 50	160	63	345 ± 6	175 ± 4	100 ± 3	65 ± 2	4.9	3.0
150 x 80	160	90	348 ± 6	183 ± 4	96 ± 3	70 ± 3	4.9	4.3
150 x 100	160	110	347 ± 6	185 ± 4	96 ± 3	81 ± 3	4.9	5.3

150A : This is produced on order.

Eslon PVDF Fitting Reducing Tee		Drawing No.
		RT201BBFE
SEKISUI SEKISUI CHEMICAL CO.,LTD.	Date	Approved by:
	2001.06.18	

Eslon PVDF Fitting
End Cap

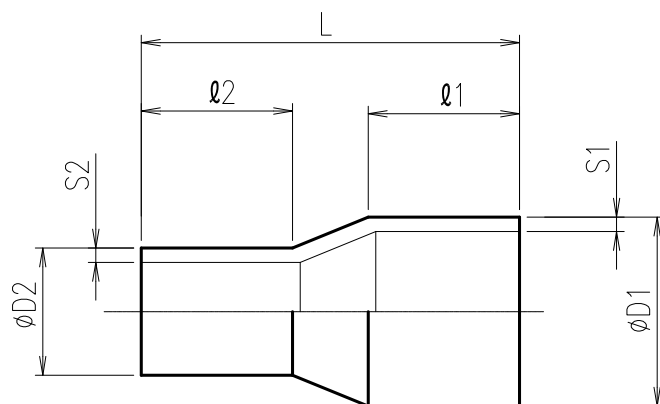


Dimension Table Unit:mm

Size	D	L	S
15	20	48 ± 2	1.9
20	25	48 ± 2	1.9
25	32	52 ± 2	2.4
32	40	60 ± 3	2.4
40	50	64 ± 3	3.0
50	63	69 ± 3	3.0
65	75	93 ± 3	3.6
80	90	110 ± 3	4.3
100	110	125 ± 3	5.3

Eslon PVDF Fitting End Cap		Drawing No.
		TC20ABBFE
SEKISUI SEKISUI CHEMICAL CO.,LTD.	Date	Approved by:
	2001.06.11	

Eslon PVDF Fitting
Reducing coupling



Dimension Table

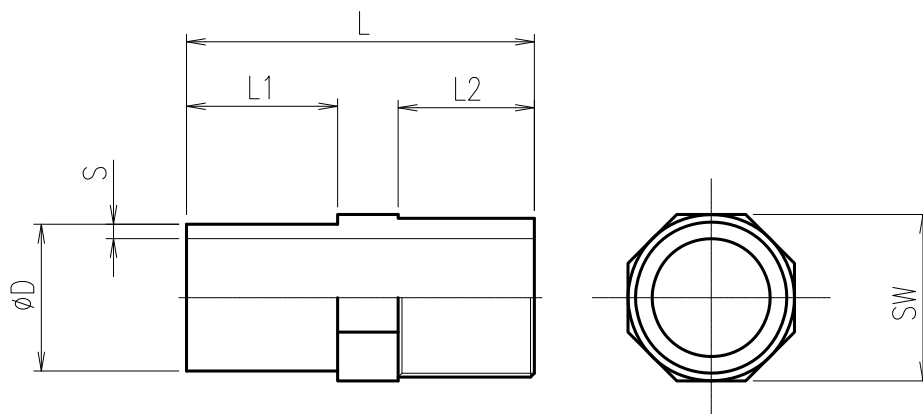
Unit:mm

Size	D1	D2	L	l1	l2	S1	S2
20 x 15	25	20	50 ± 4	20 ± 4	20 ± 4	1.9	1.9
25 x 15	32	20	50 ± 4	18.5 ± 4	19 ± 4	2.4	1.9
25 x 20	32	25	50 ± 4	20 ± 4	20 ± 4	2.4	1.9
32 x 15	40	20	55 ± 4	20 ± 4	20 ± 4	2.4	1.9
32 x 20	40	25	55 ± 4	20 ± 4	20 ± 4	2.4	1.9
32 x 25	40	32	55 ± 4	20 ± 4	20 ± 4	2.4	1.9
40 x 15	50	20	60 ± 4	23 ± 4	20 ± 4	3.0	1.9
40 x 20	50	25	60 ± 4	24 ± 4	20 ± 4	3.0	1.9
40 x 25	50	32	60 ± 4	25 ± 4	20 ± 4	3.0	2.4
40 x 32	50	40	60 ± 4	25 ± 4	22 ± 4	3.0	2.4
50 x 25	63	32	65 ± 4	25 ± 4	18 ± 4	3.0	2.4
50 x 32	63	40	65 ± 4	26 ± 4	22 ± 4	3.0	2.4
50 x 40	63	50	65 ± 4	25 ± 4	24 ± 4	3.0	3.0
65 x 40	75	50	148 ± 6	63 ± 6	57 ± 6	3.6	3.0
65 x 50	75	63	149 ± 6	65 ± 6	60 ± 6	3.6	3.0
80 x 50	90	63	160 ± 6	70 ± 6	59 ± 6	4.3	3.0
80 x 65	90	75	162 ± 6	75 ± 6	62 ± 6	4.3	3.6
100 x 50	110	63	103 ± 6	30 ± 6	33 ± 6	5.3	3.0
100 x 80	110	90	90 ± 6	30 ± 6	35 ± 6	5.3	4.3
125 x 50	140	63	133 ± 6	40 ± 6	23 ± 6	6.7	3.0
125 x 100	140	110	110 ± 6	42 ± 6	40 ± 6	6.7	5.3
150 x 100	160	110	230 ± 6	95 ± 6	89 ± 6	7.7	5.3
150 x 125	160	140	226 ± 6	95 ± 6	96 ± 6	7.7	6.7
200 x 150	225	160	160 ± 6	32 ± 6	35 ± 6	10.8	7.7

125A-200A : This is produced on order.

Eslon PVDF Fitting Reducing coupling		Drawing No.
		RS201BBFE
SEKISUI SEKISUI CHEMICAL CO.,LTD.	Date	Approved by:
	2001.06.18	

Eslon PVDF Fitting
Adaptor with Male Thread



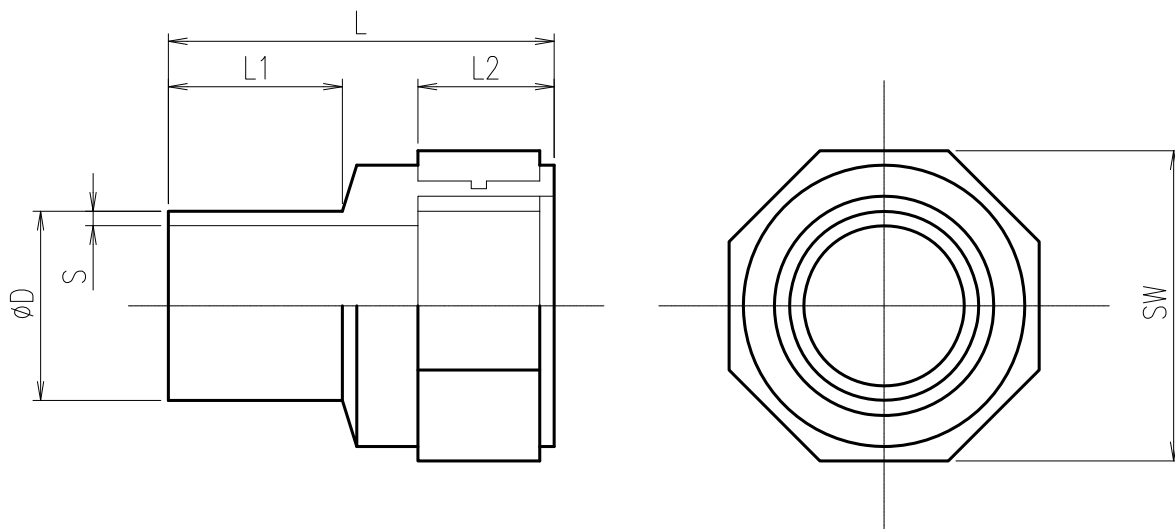
Dimension Table

Unit: mm

Size	D	S	L	L1	L2	SW
15 x 1/2	20	1.9	46 ± 4	20 ± 2	18 ± 2	22 ± 3
20 x 3/4	25	1.9	51 ± 4	23 ± 2	20 ± 2	27 ± 3
25 x 1	32	2.4	61 ± 4	29 ± 2	23 ± 2	36 ± 3
32 x 1.1/4	40	2.4	66 ± 4	29 ± 2	27 ± 2	46 ± 3
40 x 1.1/2	50	3.0	74 ± 4	33 ± 2	29 ± 2	55 ± 3
50 x 2	63	3.0	80 ± 4	35 ± 2	31 ± 2	65 ± 3

Eslon PVDF Fitting Adaptor with Male Thread		Drawing No.
		MS16ATMFE
SEKISUI SEKISUI CHEMICAL CO.,LTD.	Date	Approved by:
	2001.06.18	

Eslon PVDF Fitting
Adaptor with Female Thread



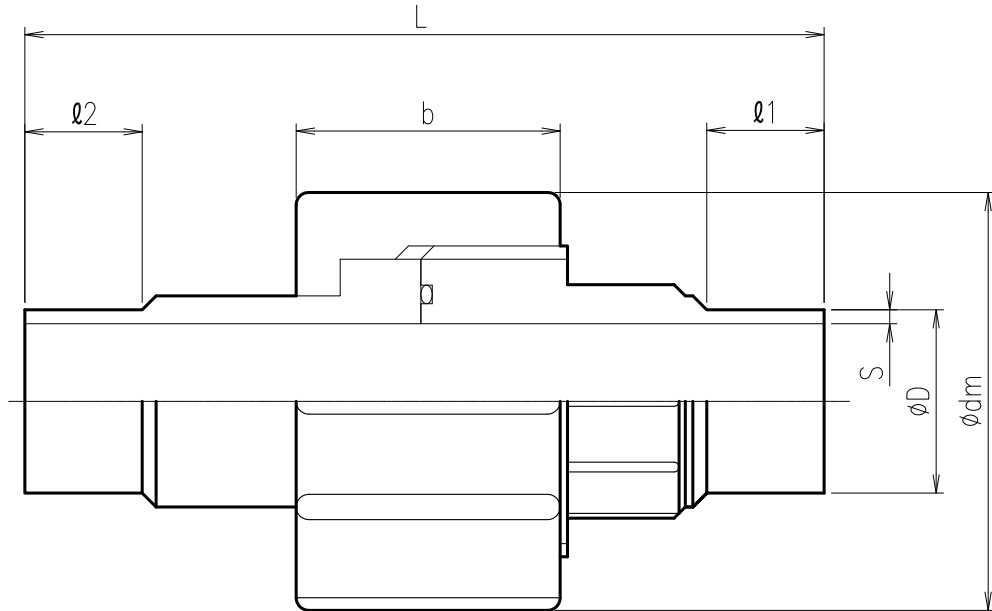
Dimension Table

Unit: mm

Size	D	S	L	L1	L2	SW
15 x 1/2	20	1.9	46 ± 4	20 ± 2	16 ± 2	32
20 x 3/4	25	1.9	51 ± 4	23 ± 2	18 ± 2	41
25 x 1	32	2.4	58 ± 4	29 ± 2	20 ± 2	46
32 x 1-1/4	40	2.4	62 ± 4	30 ± 2	24 ± 2	55
40 x 1-1/2	50	3.0	68 ± 4	34 ± 2	24 ± 2	70
50 x 2	63	3.0	75 ± 4	35 ± 2	28 ± 2	85

Eslon PVDF Fitting Adaptor with Female Thread		Drawing No.
		MS25ATNFE
SEKISUI SEKISUI CHEMICAL CO.,LTD.	Date	Approved by:
	2001.06.18	

Eslon PVDF Fitting
True Union



Dimension Table

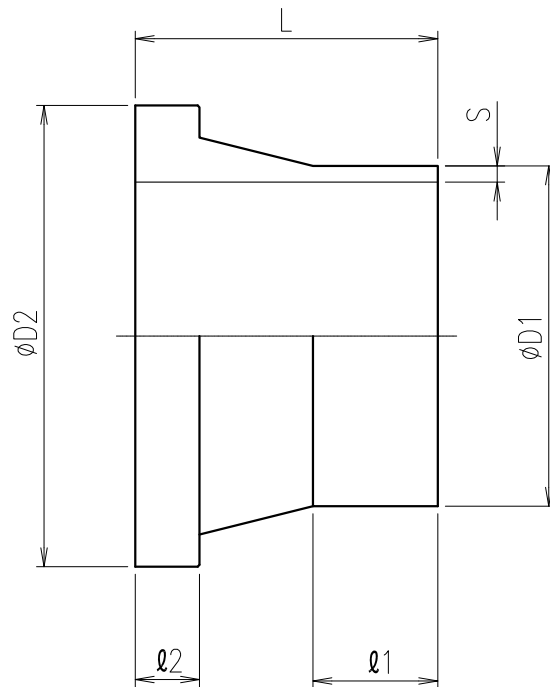
Unit: mm

Size	D	L	b	S	l1	l2	dm
15	20	106	23	1.9	27	38.0	43
20	25	112	25	1.9	27	40.0	53
25	32	120	27	2.4	27	44.0	60
32	40	125	31	2.4	25	37.5	76.5
40	50	132	35	3.0	27	47.0	82
50	63	136	39	3.0	25	40.5	109

O-ring: FKM

Eslon PVDF Fitting True Union		Drawing No.
		UT20ABBFE
SEKISUI SEKISUI CHEMICAL CO.,LTD.	Date	Approved by:
	2001.06.18	

Eslon PVDF Fitting
Stub Flange (JIS10K)



Dimension Table

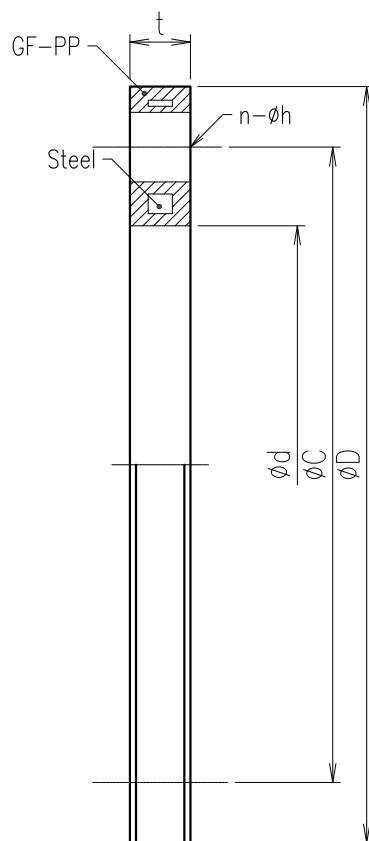
Unit: mm

Size	D1	D2	L	l1	l2	S
15	20	45 - 2	50 + 5	31 + 2	6.0 + 1	1.9
20	25	58 - 2	50 + 5	30 + 2	6.5 + 1	1.9
25	32	68 - 2	50 + 5	26 + 2	7.0 + 1	2.4
32	40	78 - 2	50 + 5	22 + 2	8.0 + 1	2.4
40	50	84 - 2	50 + 5	22 + 2	9.0 + 1	3.0
50	63	99 - 2	50 + 5	18 + 2	10.0 + 1	3.0
65	75	119 - 2	50 + 5	18 + 2	11.0 + 1	3.6
80	90	129 - 2	80 + 5	33 + 2	17.0 + 1	4.3
100	110	154 - 2	80 + 5	32 + 2	18.0 + 1	5.3
125	140	185 - 2	80 + 5	39 + 2	18.0 + 1	4.3
150	160	212 - 2	80 + 5	34 + 2	18.0 + 1	4.9
200	225	265 - 2	100 + 6	52 + 2	18.0 + 1	6.9

125A-150A : This is produced on order.

Eslon PVDF Fitting Stub Flange (JIS10K)		Drawing No.
		SF80AFFFE-JIS
SEKISUI SEKISUI CHEMICAL CO.,LTD.	Date	Approved by:
	2001.06.18	

Eslon PVDF Fitting
Backing Ring (JIS10K)



Dimension Table

Unit: mm

Size	D	d	C	n-øh	t
15	96	28	70	4-15	12
20	100	34	75	4-15	14
25	125	42	90	4-19	14
32	135	51	100	4-19	14
40	140	62	105	4-19	16
50	159	78	120	4-19	16
65	175	92	140	4-19	16
80	185	110	150	8-19	18
100	210	133	175	8-19	18
125	250	158	210	8-23	20
150	280	178	240	8-23	21
200	330	238	290	12-23	21

Material: GF-PP, Steel

125A-150A : This is produced on order.

Eslon PVDF Fitting Backing Ring (JIS10K)		Drawing No.
		BR50AFFFE-JIS
SEKISUI SEKISUI CHEMICAL CO.,LTD.	Date	Approved by:
	2001.06.18	