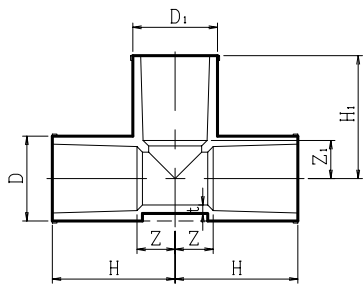
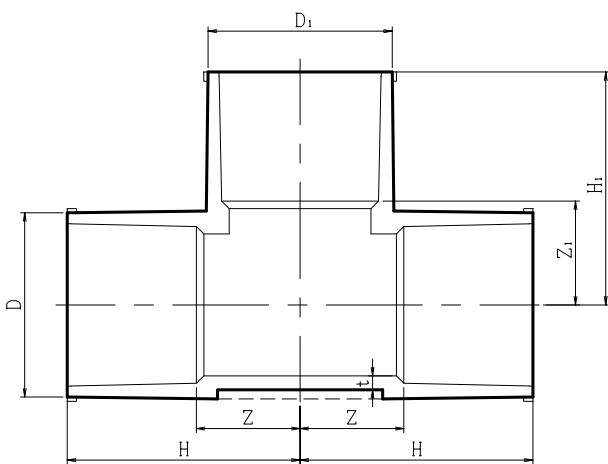


Item Clean Fittings Tee



13x13~50x50mm

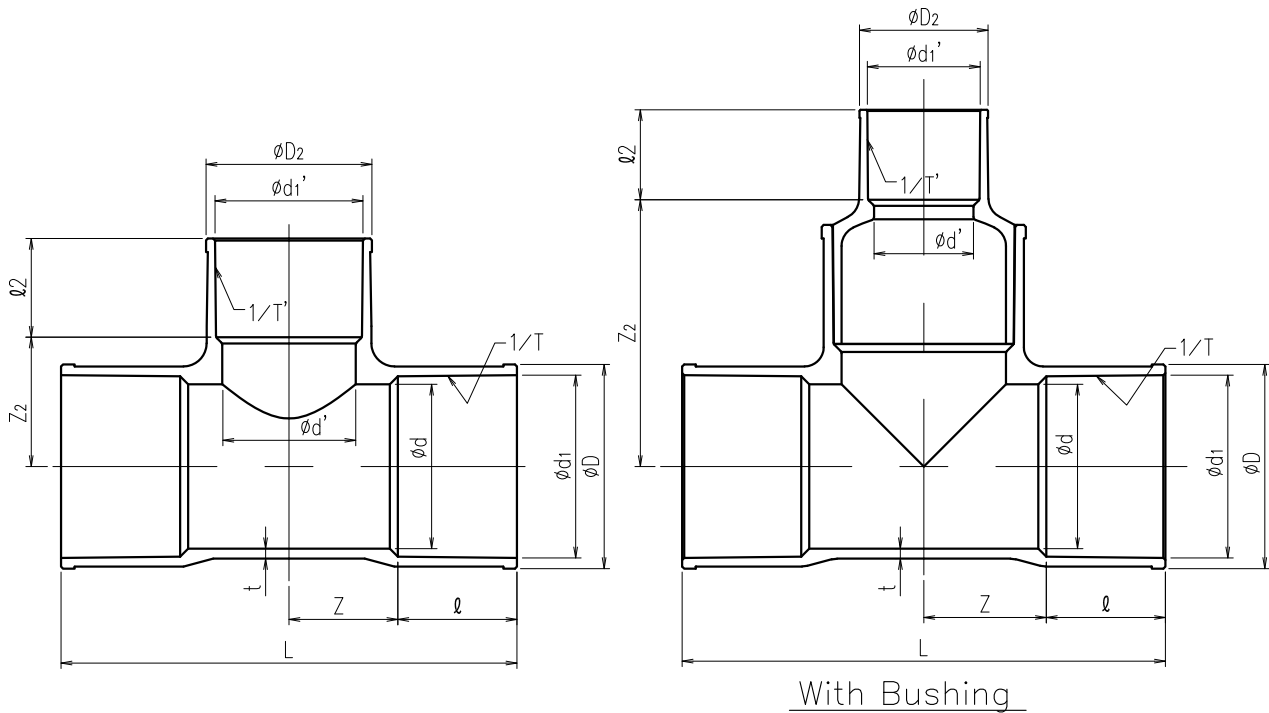


65x50~150x150mm

Designated Size	Nominal Diameter A	D	D1	H <sup>+5</sup> <sub>-1</sub>	H1 <sup>+5</sup> <sub>-1</sub>	t	Z	Z1
□	13x 13	24	24	36	36	3.0	10	10
□	16x 13	29	24	41	38	3.5	11	12
□	16x 16	29	29	43	43	3.5	13	13
□	20x 13	33	24	46	40	3.5	11	14
□	20x 16	33	29	48	45	3.5	13	15
□	20x 20	33	33	50	50	3.5	15	15
□	25x 13	40	24	51	43	4.0	11	17
□	25x 16	40	29	53	48	4.0	13	18
□	25x 20	40	33	55	53	4.0	15	18
□	25x 25	40	40	58	58	4.0	18	18
□	30x 13	46	24	55	46	4.0	11	20
□	30x 16	46	29	57	51	4.0	13	21
□	30x 20	46	33	59	56	4.0	15	21
□	30x 25	46	40	62	61	4.0	18	21
□	30x 30	46	46	65	65	4.0	21	21
□	40x 13	57	24	66	52	4.5	11	26
□	40x 16	57	29	68	57	4.5	13	27
□	40x 20	57	33	70	62	4.5	15	27
□	40x 25	57	40	73	67	4.5	18	27
□	40x 30	57	46	76	71	4.5	21	27
□	40x 40	57	57	82	82	4.5	27	27
□	50x 13	70	24	74	58	5.0	11	32
□	50x 16	70	29	76	63	5.0	13	33
□	50x 20	70	33	78	68	5.0	15	33
□	50x 25	70	40	81	73	5.0	18	33
□	50x 30	70	46	84	77	5.0	21	33
□	50x 40	70	57	90	88	5.0	27	33
□	50x 50	70	70	96	96	5.0	33	33
□	65x 50	87	70	101	104	6.6	40	41
□	65x 65	87	87	110	110	6.6	49	49
□	75x 25	102	40	93	88	8.0	29	48
□	75x 40	102	57	100	102	8.0	36	47
□	75x 50	102	70	105	110	8.0	41	47
□	75x 65	102	87	113	117	8.0	49	56
□	75x 75	102	102	120	120	8.0	56	56
□	100x 50	130	70	125	122	10.0	41	59
□	100x 75	130	102	140	132	10.0	56	68
□	100x 100	130	130	152	152	10.0	68	68
□	125x 100	157	130	173	167	11.0	69	83
□	125x 125	157	157	187	187	11.0	83	83
□	150x 75	186	102	195	158	13.0	63	94
□	150x 100	186	130	208	182	13.0	76	98
□	150x 125	186	157	217	201	13.0	85	97
□	150x 150	186	186	230	230	13.0	98	98

Item	Clean Fittings Tee	DWG No.
		FT25ATTV(E)
SEKISUI CHEMICAL CO.,LTD.	Date	Approved by:
	2010.06.08	

# Eslon Fittings Reducing Tee 200~300A



Dimension Table

Unit:mm

	Size		$\phi D$	$\phi d$	$\phi d_1$	1/T	$\ell$	Z	$\phi D_2$	$\phi d'$	$\phi d_1'$	1/T'	$\phi 2$	Z <sub>2</sub>	L	t	Nominal pressure (MPa)
	A	B															
<input type="checkbox"/>	200x75	8x3	243	196	217.4±0.7	1/50	145	56	106	77	89.6±0.3	1/49	64	116	402	18.5	0.75
<input type="checkbox"/>	200x100	8x4	243	196	217.4±0.7	1/50	145	73	134	102	114.7±0.3	1/56	84	116	436	13.0	0.75
<input type="checkbox"/>	200x150	8x6	243	196	217.4±0.7	1/50	145	100	189	146	166.0±0.4	1/63	132	125	490	13.0	0.75
<input type="checkbox"/>	250x75	10x3	300	242	268.6±0.7	1/50	175	71	106	77	89.6±0.3	1/49	64	146	492	14.5	0.75
<input type="checkbox"/>	250x100	10x4	300	242	268.6±0.7	1/50	175	92	134	102	114.7±0.3	1/56	84	141	534	14.5	0.75
<input type="checkbox"/>	250x150*	10x6	300	242	268.6±0.7	1/50	175	180	189	146	166.0±0.4	1/63	132	392	710	14.5	0.75
<input type="checkbox"/>	250x200	10x8	300	242	268.6±0.7	1/50	175	160	243	196	217.4±0.7	1/50	145	190	670	14.5	0.75
<input type="checkbox"/>	300x75	12x3	356	288	319.8±0.8	1/50	185	75	106	77	89.6±0.3	1/49	64	172	520	16.0	0.6
<input type="checkbox"/>	300x100	12x4	356	288	319.8±0.8	1/50	185	81	134	102	114.7±0.3	1/56	84	173	532	16.0	0.6
<input type="checkbox"/>	300x150*	12x6	356	288	319.8±0.8	1/50	185	190	189	146	166.0±0.4	1/63	132	429	750	16.0	0.6
<input type="checkbox"/>	300x200*	12x8	356	288	319.8±0.8	1/50	185	225	243	196	217.4±0.7	1/50	145	454	820	16.0	0.6
<input type="checkbox"/>	300x250	12x10	356	288	319.8±0.8	1/50	185	190	300	242	268.6±0.7	1/50	175	217	750	16.0	0.6

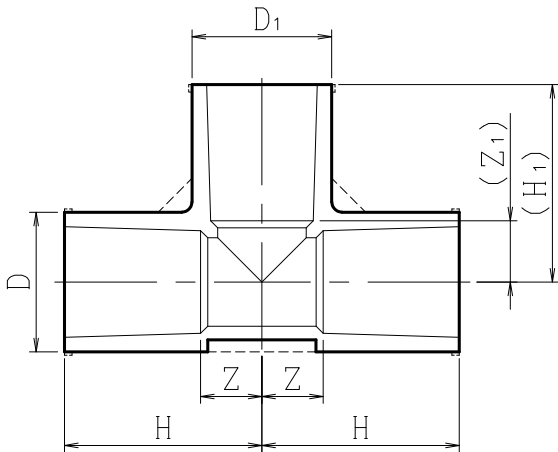
Remarks) \*With Bushing

Material

- Esloclean
- HI-PVC
- U-PVC

Eslon Fittings Reducing Tee 200~300A		DWG No. RT200TTE
<b>SEKISUI</b> SEKISUI CHEMICAL CO.,LTD.	Date	Approved by:
	2009.06.30	

Item	HT Clean Fittings Tee
------	--------------------------

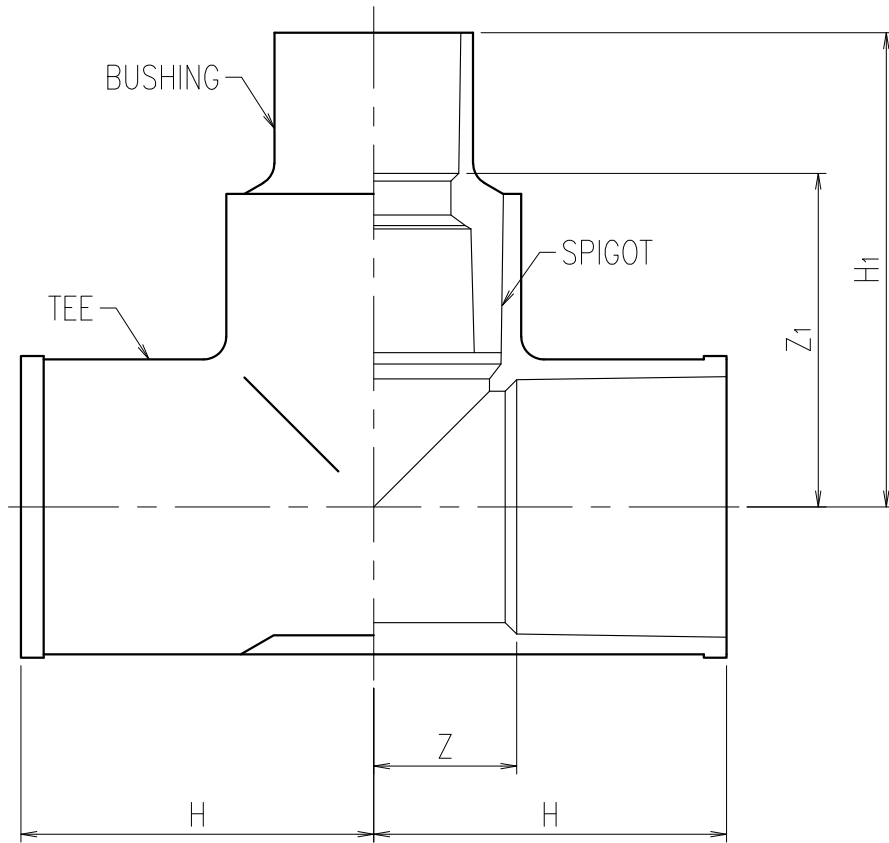


Designated Size	Nominal Diameter A	D	D1	H	H1	Z	Z1
□	※16X 16	31	—	38.5	—	13	12.5
□	※20X 16	36	31	48.5	40	13	14.5
□	※20X 20	36	—	50.5	50	15	14.5
□	※25X 16	42	31	53.5	43.5	13.5	18.5
□	※25X 20	42	36	55.5	51	15.5	16
□	※25X 25	42	—	58.5	58	18	17.5
□	※30X 16	48	31	54	47.5	13.5	22
□	※30X 20	48	36	56	57.5	15.5	22
□	※30X 25	48	42	58.5	62.5	18	22
□	※30X 30	48	—	63	62	23	22
□	※40X 16	58	31	61.5	53	16	27.5
□	※40X 20	58	36	63.5	63.5	18	28
□	※40X 25	58	42	66	68	20.5	27.5
□	※40X 30	58	48	70	68	24.5	27.5
□	※40X 40	58	—	73.5	73	28	27.5
□	※50X 16	70	31	68.5	60	18	34.5
□	※50X 20	70	36	70.5	70	20	34.5
□	※50X 25	70	42	73	75	22.5	34.5
□	※50X 30	70	48	77	75	26.5	34.5
□	※50X 40	70	58	80	80	29.5	34.5
□	※50X 50	70	—	85.5	85	35	34.5
□	65X 65	87	—	113.5	113.5	43	43
□	75X 75	102	—	123.5	123.5	50.5	50.5
□	100X 100	130	—	155.5	155.5	63	63
□	125X 125	157	—	188	188	83	83
□	150X 150	186	—	230	230	98	98

※JIS K6777

Item	HT Clean Fittings Tee	DWG No.
		FT25ATTT(E)
SEKISUI CHEMICAL CO.,LTD.	Date	Approved by:
	2009.09.08	

Item HT Clean Fittings  
Reducing Tee



Dimension Table

Unit:mm

SIZE	A	H	Z	H <sub>1</sub>	Z <sub>1</sub>
□ 65x16	113.5	43	122.5	91.5	
□ 65x20	113.5	43	128	92.5	
□ 65x25	113.5	43	133	93	
□ 65x30	113.5	43	132	91.5	
□ 65x40	113.5	43	147	101.5	
□ 65x50	113.5	43	156	105.5	
□ 75x20	123.5	50.5	140.5	99	
□ 75x25	123.5	50.5	146.5	106	
□ 75x30	123.5	50.5	148.5	108	
□ 75x40	123.5	50.5	161.5	116.5	
□ 75x50	123.5	50.5	169	118.5	
□ 75x65	123.5	50.5	168	106.5	

SIZE	A	H	Z	H <sub>1</sub>	Z <sub>1</sub>
□ 100x20	155.5	63	179.5	154.5	
□ 100x25	155.5	63	185.5	145	
□ 100x30	155.5	63	185	144.5	
□ 100x40	155.5	63	191	145.5	
□ 100x50	155.5	63	195.5	145	
□ 100x65	155.5	63	209	147	
□ 100x75	155.5	63	225	151.5	
□ 125x20	188	83	209	173.5	
□ 125x25	188	83	214.5	174	
□ 125x50	188	83	224	173.5	
□ 125x65	188	83	235	173.5	
□ 125x75	188	83	247	173	
□ 125x100	188	83	267	174.5	

SIZE	A	H	Z	H <sub>1</sub>	Z <sub>1</sub>
□ 150x20	230	98	247	211.5	
□ 150x25	230	98	251.5	211	
□ 150x50	230	98	290	210.5	
□ 150x100	230	98	305	211	
□ 150x125	230	98	315.5	211	

NOTE) 1. H Tolerance :+5 -1  
2. H1:Reference value

Item	HT Clean Fittings Reducing Tee	DWG No.
		HLT1H2U(E)
SEKISUI CHEMICAL CO.,LTD.	Date	Approved by:
	2004.06.16	