

Dimension Table

Unit: mm

Size	A(B)	φd	L	Flange												H Max.	h Max.	A	B1	B2	Actuator Type
				JIS10K				ANSI				DIN									
				φD	φC	n-φh	t	φD	φC	n-φh	t	φD	φC	n-φh	t						
□ 15(1/2)	16	110±1.5	95	70	4-15	14	90	60.5	4-16	11	95	65	4-14	14	313	266	112	93	57	ED-6	
□ 20(3/4)	20	120±1.5	100	75	4-15	14	100	70.0	4-16	13	105	75	4-14	14	327	277	112	93	57	ED-6	
□ 25(1)	25	130±1.5	125	90	4-19	14	110	79.5	4-16	14	115	85	4-14	14	347	285	112	93	57	ED-6	
□ 32(1.1/4)	32	142±1.5	135	100	4-19	16	117	89.0	4-16	15.7	140	100	4-18	15	353	285	112	93	57	ED-6	
□ 40(1.1/2)	41	180±1.5	140	105	4-19	16	127	98.5	4-16	17	150	110	4-18	16	419	349	132	118	70	ED-25	
□ 50(2)	52	210±1.5	155	120	4-19	20	155	120.5	4-20	19	165	125	4-18	18	465	387	132	118	70	ED-25	
□ 65(2 1/2)	67	250±1.5	175	140	4-19	22	175	139.5	4-20	22	185	145	4-18	18	522	435	132	118	70	ED-25	
□ 80(3)	80	280±1.5	185	150	8-19	22	190	152.5	4-20	22	200	160	8-18	20	603	511	200	154	83	ED-40	
□ 100(4)	100	340±1.5	210	175	8-19	24	230	190.5	8-20	24	220	180	8-18	20	667	562	200	154	83	ED-60	
□ 125(5)	125	410±1.5	250	210	8-23	24	254	216.0	8-23	24	250	210	8-18	22	720	595	200	154	84	ED-90	
□ 150(6)	150	480±1.5	280	240	8-23	24	280	241.5	8-23	25	285	240	8-22	22	741	601	200	154	84	ED-90	

Note) 1. Thread dimension is in accordance with the following standard;

JIS:JIS B 0203,ANSI:ANSI B1.20.1 and DIN2501 PN10/PN16 (ISO7005 PN10) for DIN

No.	Part Name	Q'TY	Material/Type
1	Body	1	□PVC □HT □PP □PVDF
2	Diaphragm	1	□EPDM □PTFE+EPDM □PTFE+PVDF+EPDM
3	Diaphragm Screw	1	(EPDM) SS400; Chromium-Plated (PTFE) SUS304 *1
4	Cover	1	AC-4
5	Face Plate	1	AL-P
6	Cover Gasket	1	CR
7	Base Plate	1	AC-3
8	Bonnet	1	AC-7
9	Hexagonal Bolt	-	SUS304
10	Hexagonal Nut	-	SUS304
11	Washer	-	SUS304
12	Spindle	1	S45C
13	Sleeve	1	FC250
14	Spring pin	1	SUS304*1
15	Compressor Nut	1	C3604*1
16	Compressor	1	GF-PP
17	Stud Bolt	-	SUS304
18	Reversible Motor	1	-
19	Thermal Protector	1	-
20	Indicator	1	-
21	Gear box	1	-
22	Gear A	1	S45C
23	Gear B	1	S45C
24	Open-close plug	1	PP
25	Open-close stem	1	SUS304
26	Capacitor	1	-
27	Micro Switch	2	OMRON:V-156-1A5
28	Terminal Block	1	Phenol resin
29	Spring Box	1	-
30	Electric Conduit Gland	1	G1/2
31	Supporting Plate *3	2	SUS304,SS400+Epoxy Resin

*1. 3, 14, 15 can produce titanium palladium

*2. Quantity of bolt and nut differ depending on size of valve.

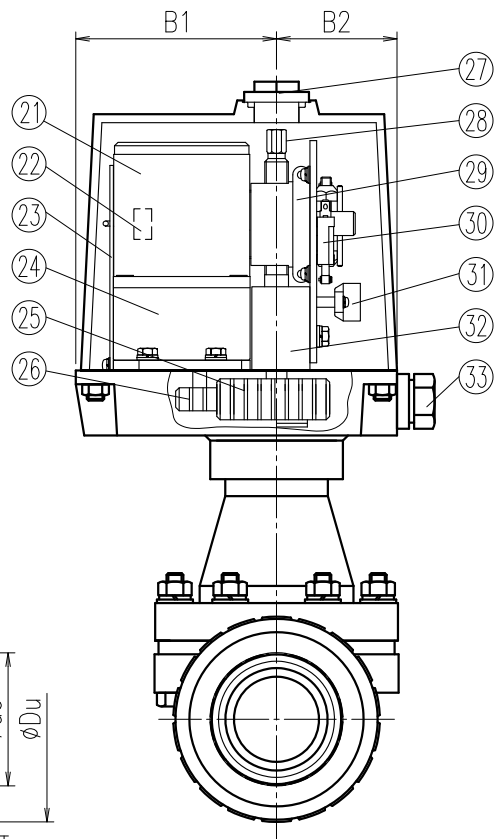
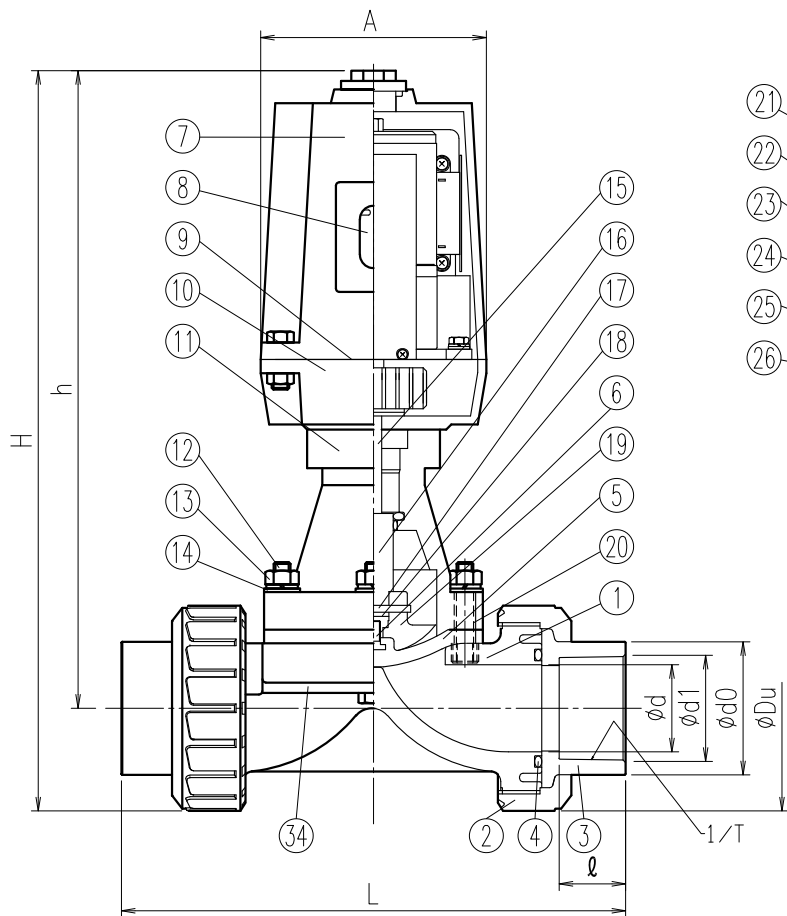
*3. Only HT,PP,PVDF

Client name		Date
Voltage	□AC100V □AC200V	Approved by:
Flange Standard	□JIS10K □ANSI □DIN	
Oil Free	□YES	

ESLON Electric Diaphragm Valve KS-Type
Flange Type 15-150A

Drawing No. | DVK151FFE

SEKISUI SEKISUI CHEMICAL CO.,LTD.



No.	Part Name	Q'TY	Material/Type
1	Body	1	<input type="checkbox"/> PVC
2	Union nut	2	<input type="checkbox"/> HT
3	TS Socket	2	
4	O-Ring	2	<input type="checkbox"/> EPDM <input type="checkbox"/> FKM
5	Diaphragm	1	<input type="checkbox"/> EPDM <input type="checkbox"/> PTFE+EPDM <input type="checkbox"/> PTFE+PVDF+EPDM
6	Diaphragm Screw	1	(EPDM) SS400; Chromium-Plated (PTFE) SUS304 *1
7	Cover	1	AC-4
8	Face Plate	1	AL-P
9	Cover Gasket	1	CR
10	Base Plate	1	AC-3
11	Bonnet	1	AC-7
12	Hexagonal Bolt	-	SUS304
13	Hexagonal Nut	-	SUS304
14	Washer	-	SUS304
15	Spindle	1	S45C
16	Sleeve	1	FC250
17	Spring pin	1	SUS304*1
18	Compressor Nut	1	C3604*1
19	Compressor	1	GF-PP
20	Stud Bolt	-	SUS304
21	Reversible Motor	1	-
22	Thermal Protector	1	-
23	Indicator	1	-
24	Gear box	1	-
25	Gear A	1	S45C
26	Gear B	1	S45C
27	Open-close plug	1	PP
28	Open-close stem	1	SUS304
29	Capacitor	1	-
30	Micro Switch	2	OMRON:V-156-1A5
31	Terminal Block	1	Phenol resin
32	Spring Box	1	-
33	Electric Conduit Gland	1	G1/2
34	Supporting Plate *3	2	SUS304,SS400+Epoxy Resin

*1. 6,17,18can produce titanium palladium
 *2. Quantity of bolt and nut differ depending on size of valve.
 *3. Only HT

Dimension Table

Unit: mm

Size	A(B)	ϕd	TS Socket												ϕdo	ϕDu	H Max.	h Max.	A	B1	B2	Actuator Type
			JIS				ASTM				DIN											
			L	$\phi d1$	1/T	ℓ	L	$\phi d1$	1/T	ℓ	L	$\phi d1$	1/T	ℓ								
<input type="checkbox"/> 15(1/2)	16	144±3.0	22.3	1/37	22	137±3.0	21.54	1/72	22.22	126±3.0	20.3	1/65	16	33	49	290	266	112	93	57	ED-6	
<input type="checkbox"/> 20(3/4)	20	172±3.0	26.3	1/42	25	158±3.0	26.87	1/85	25.40	146±3.0	25.3	1/80	19	35	59	307	277	112	93	57	ED-6	
<input type="checkbox"/> 25(1)	25	187±3.0	32.3	1/43	29	177±3.0	33.65	1/75	28.58	165±3.0	32.3	1/95	22	44	67	318	285	112	93	57	ED-6	
<input type="checkbox"/> 32(1·1/4)	32	210±3.0	38.4	1/37	32	190±3.0	42.42	1/84	31.75	179±3.0	40.3	1/115	26	54	81	326	285	112	93	57	ED-6	
<input type="checkbox"/> 40(1·1/2)	41	262±3.0	48.5	1/38	35	258±3.0	48.56	1/78	34.93	247±3.0	50.3	1/140	31	66	98	397	349	132	118	70	ED-25	
<input type="checkbox"/> 50(2)	52	298±3.0	60.7	1/34	38	283±3.0	60.63	1/83	38.10	284±3.0	63.3	1/175	38	77	120	447	387	132	118	70	ED-25	

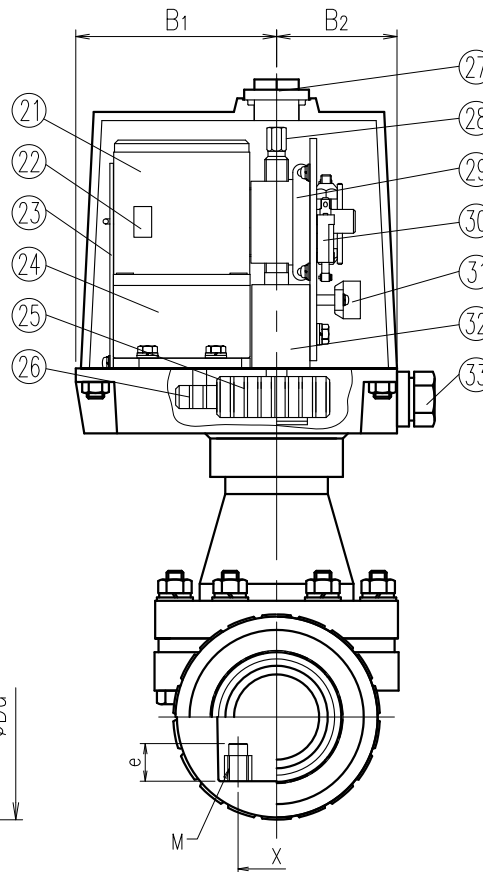
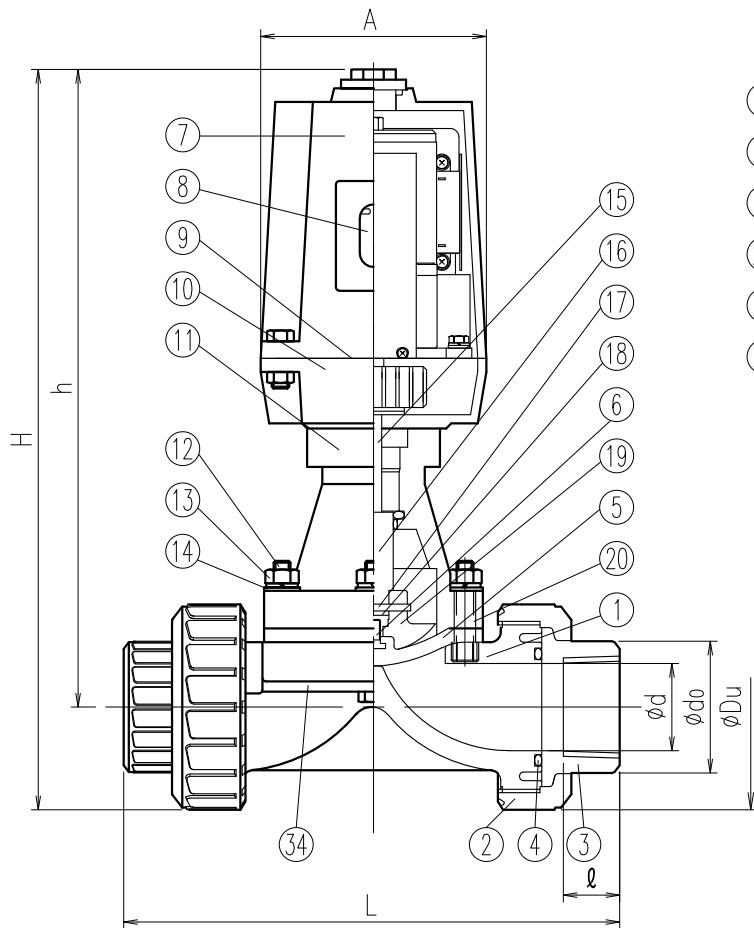
Note) Socket dimension is in accordance with the following standard;
 JIS K6743 for JIS,ASTM D2467 for ASTM and DIN8063 for DIN

Client name		Date
Voltage	<input type="checkbox"/> AC100V <input type="checkbox"/> AC200V	Approved by:
Flange Standard	<input type="checkbox"/> JIS <input type="checkbox"/> ASTM <input type="checkbox"/> DIN	
Oil Free	<input type="checkbox"/> YES	

ESLON Electric Diaphragm Valve KS-Type
 TS Socket Type 15-50A

Drawing No. | DVK1550SE

SEKISUI SEKISUI CHEMICAL CO.,LTD.



No.	Part Name	Q'TY	Material/Type
1	Body	1	<input type="checkbox"/> PVC <input type="checkbox"/> PVDF
2	Union nut	2	<input type="checkbox"/> EPDM <input type="checkbox"/> FKM
3	Thread Socket	2	<input type="checkbox"/> EPDM <input type="checkbox"/> PTFE+EPDM <input type="checkbox"/> PTFE+PVDF+EPDM
4	O-Ring	2	(EPDM) SS400; Chromium-Plated (PTFE) SUS304 *1
5	Diaphragm	1	AC-4
6	Diaphragm Screw	1	AL-P
7	Cover	1	CR
8	Face Plate	1	AC-3
9	Cover Gasket	1	AC-7
10	Base Plate	1	-
11	Bonnet	1	SUS304
12	Hexagonal Bolt	-	SUS304
13	Hexagonal Nut	-	SUS304
14	Washer	-	SUS304
15	Spindle	1	S45C
16	Sleeve	1	FC250
17	Spring pin	1	SUS304*1
18	Compressor Nut	1	C3604*1
19	Compressor	1	GF-PP
20	Stud Bolt	-	SUS304
21	Reversible Motor	1	-
22	Thermal Protector	1	-
23	Indicator	1	-
24	Gear box	1	-
25	Gear A	1	S45C
26	Gear B	1	S45C
27	Open-close plug	1	PP
28	Open-close stem	1	SUS304
29	Capacitor	1	-
30	Micro Switch	2	OMRON:V-156-1A5
31	Terminal Block	1	Phenol resin
32	Spring Box	1	-
33	Electric Conduit Gland	1	G1/2
34	Supporting Plate *3	2	SUS304,SS400+Epoxy Resin

- *1. 6,17,18 can produce titanium palladium
- *2. Quantity of bolt and nut differ depending on size of valve.
- *3. Only PVDF

Dimension Table

Unit: mm

Size	A(B)	ϕd	JIS:Rc				ANSI:NPT			DIN:Rp			ϕDu	H Max.	h Max.	A	B1	B2	Actuator Type	Fixing Insert Nut		
			L	ℓ	ϕdo	L	ℓ	ϕdo	L	ℓ	ϕdo	X								Mxe		
			PVC	PVDF	PVC	PVDF																
<input type="checkbox"/> 15(1/2)	16	16	133±3.0	134±3.0	18	20	30	133±3.0	18	30	133±3.0	18	30	49	290	266	112	93	57	ED-6	25	M6x12
<input type="checkbox"/> 20(3/4)	20	20	157±3.0	157±3.0	18	22	35	157±3.0	18	35	157±3.0	18	35	59	307	277	112	93	57	ED-6	25	M6x12
<input type="checkbox"/> 25(1)	25	25	173±3.0	180±3.0	23	24	44	173±3.0	23	44	173±3.0	23	44	67	318	285	112	93	57	ED-6	25	M6x12
<input type="checkbox"/> 32(1·1/4)	32	32	188±3.0	191±3.0	23	25	54	188±3.0	23	54	188±3.0	23	54	81	326	285	112	93	57	ED-6	25	M6x12
<input type="checkbox"/> 40(1·1/2)	41	41	248±3.0	254±3.0	25	28	65	241±3.0	25	65	241±3.0	25	65	98	397	349	132	118	70	ED-25	45	M8x12
<input type="checkbox"/> 50(2)	52	52	280±3.0	290±3.0	30	30	77	269±3.0	30	77	269±3.0	30	77	120	447	387	132	118	70	ED-25	45	M8x12

Note) Thread dimension is in accordance with the following standard;

JIS:JIS B 0203,ANSI:ANSI B1.20.1 and DIN2501 PN10/PN16 (ISO7005 PN10) for DIN

Client name		Date
Voltage	<input type="checkbox"/> AC100V <input type="checkbox"/> AC200V	Approved by:
Flange Standard	<input type="checkbox"/> Rc <input type="checkbox"/> NPT <input type="checkbox"/> Rp	
Oil Free	<input type="checkbox"/> YES	

ESLON Electric Diaphragm Valve KS-Type
Thread Socket Type 15-50A

Drawing No. | DVK1550NE

SEKISUI SEKISUI CHEMICAL CO.,LTD.