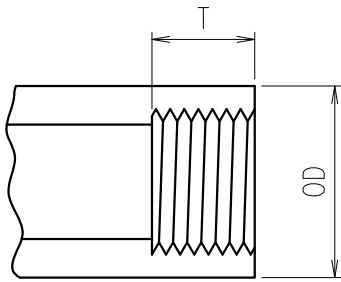
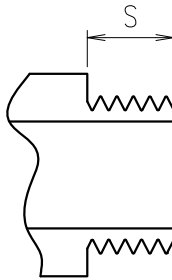


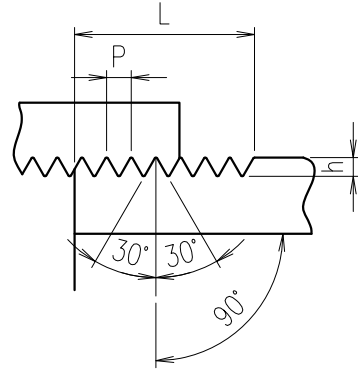
Eslon Schedule80 Fittings
Thread Dimension



Female Taper Threads



Male Taper Threads



American National
Standard Taper
Pipe Threads (NPT)

unit: mm

Size		Pipe O.D. OD	Female Thread Min.Length T	Male Thread Min.Length S	Overall Pipe Thread Length L	Threads Per In. N (per inch)	Pitch of Thread P	Height Threads h
inch	mm							
1/2"	15	32.5	16.26	13.46	19.85	14.0	1.814	1.451
3/4"	20	38.2	16.51	13.92	20.15	14.0	1.814	1.451
1"	25	46.0	20.57	17.27	25.01	11.5	2.209	1.767
1-1/4"	32	56.0	21.59	18.03	25.62	11.5	2.209	1.767
1-1/2"	40	63.5	21.59	18.29	26.04	11.5	2.209	1.767
2"	50	77.0	22.86	19.30	26.88	11.5	2.209	1.767
2-1/2"	65	91.0	30.25	28.96	39.91	8.0	3.175	2.540
3"	80	107.0	33.02	30.48	41.50	8.0	3.175	2.540
4"	100	138.0	35.05	33.02	44.04	8.0	3.175	2.540

This production meets: (PVC) ASTM D-2464, (CPVC) ASTM F-437

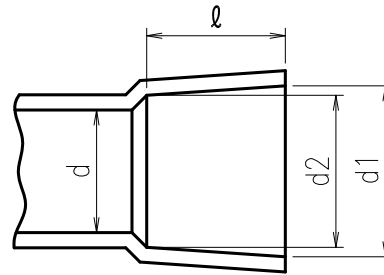
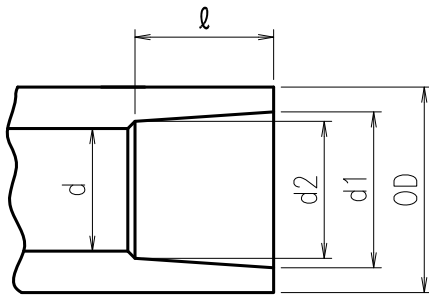
Material

PVC

CPVC

Esilon Schedule80 Fittings Thread Dimension		DWG No.
		¹ S8TD151H
SEKISUI CHEMICAL CO.,LTD.	Date	Approved by:
	2011.10.11	

Eslon Schedule80 Fittings
Socket Dimensions



unit: mm

Size		Outside Diameter OD	Inside Diameter d	Entrance Diameter d1	Bottom Diameter d2	Length ℓ (min)
inch	mm					
1/2"	15	30	18	21.54±0.10	21.23±0.10	22.22
3/4"	20	35	24	26.87±0.10	26.57±0.10	25.40
1"	25	43	30	33.65±0.13	33.27±0.13	28.58
1-1/4"	32	53	37	42.42±0.13	42.04±0.13	31.75
1-1/2"	40	60	45	48.56±0.15	48.11±0.15	34.93
2"	50	73	57	60.63±0.15	60.17±0.15	38.10
2-1/2"	65	88	69	73.38±0.18	72.85±0.18	44.45
3"	80	(PVC)	107	85	89.31±0.20	47.63
		(CPVC)			89.28±0.18	
4"	100	(PVC)	133	109	114.76±0.23	57.15
		(CPVC)			114.73±0.20	
5"	125	162	132	141.81±0.25	141.00±0.25	66.68
6"	150	192	156	168.83±0.28	168.00±0.28	76.20
8"	200	247	202	219.84±0.38	218.70±0.38	101.60
10"	250	307	265	273.81±0.38	272.67±0.38	127.00
12"	300	363	315	324.61±0.38	323.47±0.38	152.40
14"	350	394	346	356.49±0.38	355.22±0.38	228.60
16"	400	451	396	407.54±0.38	405.89±0.38	254.00
18"	450	—	407	458.60±0.51	456.69±0.51	304.80
20"	500	—	453	509.65±0.64	507.49±0.64	304.80
24"	600	—	544	611.51±0.76	608.84±0.76	304.80

This production meets:

(PVC) 1/2–12": ASTM D-2467, 14–24": SEKISUI Standard

(CPVC) 1/2–12": ASTM F-439, 14–24": SEKISUI Standard

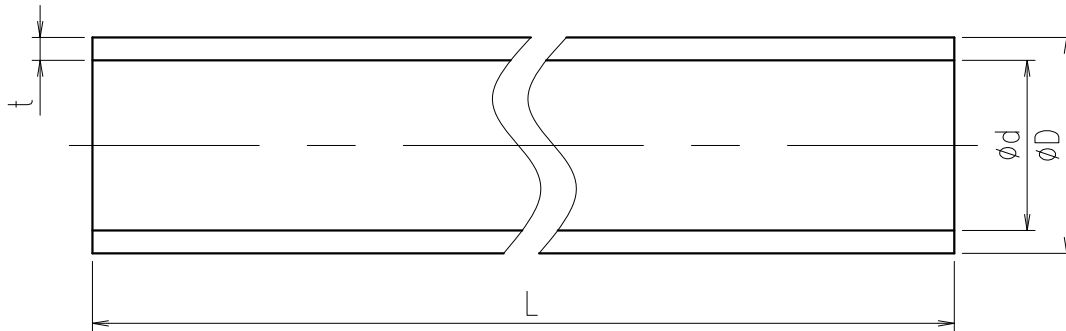
Material

PVC

CPVC

Eslon Schedule80 Fittings Socket Dimensions		DWG No.
		² S8SD156H
SEKISUI CHEMICAL CO.,LTD.	Date	Approved by:
	2011.10.11	

Eslon Schedule80
Pipe



unit : mm

	Size		D	t	d	L	Rated Pressure at 23°C (MPa)	Weight kg/m		Weight kg/PC	
	inch	mm						PVC	CPVC	PVC	CPVC
<input type="checkbox"/>	1/2"	15	21.34±0.10	3.73+0.51	13.4	6000 ±20	5.86	0.311	0.337	1.866	2.022
<input type="checkbox"/>	3/4"	20	26.67±0.10	3.91+0.51	18.3		4.76	0.421	0.457	2.526	2.742
<input type="checkbox"/>	1"	25	33.40±0.13	4.55+0.53	23.8		4.34	0.618	0.670	3.708	4.020
<input type="checkbox"/>	1.1/4"	32	42.16±0.13	4.85+0.58	31.9		3.59	0.855	0.927	5.130	5.562
<input type="checkbox"/>	1.1/2"	40	48.26±0.15	5.08+0.61	37.5		3.24	1.037	1.124	6.222	6.744
<input type="checkbox"/>	2"	50	60.32±0.15	5.54+0.66	48.6		2.76	1.435	1.556	8.610	9.336
<input type="checkbox"/>	2.1/2"	65	73.02±0.18	7.01+0.84	58.2		2.90	2.190	2.373	13.140	14.238
<input type="checkbox"/>	3"	80	(PVC) 88.90±0.20	7.62+0.91	72.8		2.55	2.932	—	17.592	—
<input type="checkbox"/>			(CPVC) 88.90±0.18					—	3.178	—	19.068
<input type="checkbox"/>	4"	100	(PVC) 114.30±0.23	8.56+1.02	96.2		2.21	4.288	—	25.728	—
<input type="checkbox"/>			(CPVC) 114.30±0.20					—	4.648	—	27.888
<input type="checkbox"/>	5"	125	141.30±0.25	9.53+1.14	121.1		2.00	5.950	6.450	35.700	38.700
<input type="checkbox"/>	6"	150	168.28±0.28	10.97+1.32	145.0		1.93	8.186	8.873	49.116	53.238
<input type="checkbox"/>	8"	200	219.08±0.38	12.70+1.52	192.2		1.72	12.433	13.477	74.598	80.862
<input type="checkbox"/>	10"	250	273.05±0.38	15.06+1.80	241.1		1.59	18.436	19.983	110.616	119.898
<input type="checkbox"/>	12"	300	323.85±0.38	17.45+2.08	286.9		1.59	25.365	27.493	152.190	164.958
<input type="checkbox"/>	14"	350	355.60±0.38	19.05+2.29	315.2		1.52	30.430	32.983	182.580	197.898
<input type="checkbox"/>	16"	400	406.40±0.48	21.41+2.57	361.0		1.52	39.125	42.408	234.750	254.448
<input type="checkbox"/>	18"	450	457.20±0.48	23.80+2.84	406.8		1.52	48.943	53.050	293.658	318.300
<input type="checkbox"/>	20"	500	508.00±0.58	26.19+3.15	452.5		1.52	59.596	64.922	359.376	389.532
<input type="checkbox"/>	24"	600	609.60±0.79	30.94+3.71	544.0		1.45	84.974	92.105	509.844	552.630

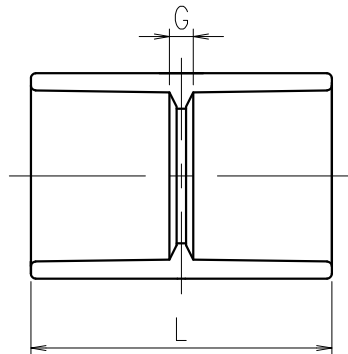
This production meets: (PVC) ASTM D-1785、(CPVC) ASTM F-441

Material

- PVC
- CPVC

Eslon Schedule80 Pipe		DWG No.
		³ S8PI156H
SEKISUI SEKISUI CHEMICAL CO.,LTD.	Date	Approved by:
	2011.10.11	

Eslon Schedule80 Fittings
Coupling SxS



Unit: mm

Size		L	G	Weight kgs/pc		Package pcs/carton
inch	mm			PVC	CPVC	
1/2"	15	50	5.6	0.024	0.026	300
3/4"	20	56	5.2	0.031	0.034	180
1"	25	63	5.8	0.045	0.049	200
1-1/4"	32	69	5.5	0.080	0.087	120
1-1/2"	40	75	5.1	0.110	0.120	10
2"	50	85	8.8	0.160	0.175	10
2-1/2"	65	96	7.1	0.255	0.278	5
3"	80	102	6.7	0.384	0.419	5
4"	100	123	8.7	0.553	0.604	5
5"	125	144	8.0	0.860	0.939	4
6"	150	165	10.0	1.372	1.498	4
8"	200	216	10.0	3.075	3.300	4
10"	250	295	15.0	6.170	6.340	2
12"	300	330	20.0	9.195	9.680	2
14"	350	480	19.4	14.595	16.240	1
16"	400	538	28.0	21.590	24.190	1

This production meets:

(PVC) 1/2-12": ASTM D-2467, 14-24": SEKISUI Standard

(CPVC) 1/2-12": ASTM F-439, 14-24": SEKISUI Standard

Material

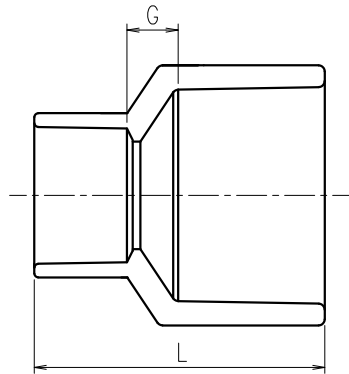
PVC

CPVC

Eslon Schedule80 Fittings Coupling SxS		DWG No.
		⁵ S8CP154H
SEKISUI CHEMICAL CO.,LTD.	Date	Approved by:
	2011.10.11	

Eslon Schedule80 Fittings
Reducing Coupling

Unit: mm



Size				L	G	Weight		Package pcs/carton
inch	mm	PVC	CPVC					
3/4"	1/2"	20	15	53.5	5.9	0.026	0.029	400
1"	1/2"	25	15	60.0	9.2	0.042	0.046	200
1"	3/4"	25	20	60.0	6.0	0.040	0.044	200
1-1/4"	1/2"	32	15	68.0	14.0	0.063	0.069	25
1-1/4"	3/4"	32	20	68.0	10.9	0.061	0.066	25
1-1/4"	1"	32	25	68.0	7.7	0.070	0.076	25
1-1/2"	1/2"	40	15	75.0	17.9	0.083	0.090	25
1-1/2"	3/4"	40	20	75.0	14.7	0.080	0.088	25
1-1/2"	1"	40	25	75.0	11.5	0.089	0.098	25
1-1/2"	1-1/4"	40	32	75.0	8.3	0.099	0.108	25
2"	1/2"	50	15	83.0	22.7	0.118	0.128	25
2"	3/4"	50	20	83.0	19.5	0.115	0.125	80
2"	1"	50	25	83.0	16.3	0.124	0.135	16
2"	1-1/4"	50	32	83.0	13.2	0.134	0.146	10
2"	1-1/2"	50	40	83.0	10.0	0.142	0.154	40
2-1/2"	1-1/2"	65	40	93.0	13.6	0.205	0.224	10
2-1/2"	2"	65	50	93.0	10.5	0.222	0.242	10
3"	1"	80	25	106.0	29.8	0.317	0.346	8
3"	1-1/2"	80	40	106.0	23.4	0.313	0.342	8
3"	2"	80	50	106.0	20.3	0.443	0.483	8
3"	2-1/2"	80	65	106.0	13.9	0.361	0.394	5
4"	2"	100	50	125.0	29.8	0.509	0.556	4
4"	2-1/2"	100	65	125.0	23.4	0.535	0.584	4
4"	3"	100	80	125.0	20.2	0.597	0.652	4
5"	4"	125	100	144.0	18.9	0.860	1.014	5
6"	3"	150	80	168.0	41.9	1.508	1.646	4
6"	4"	150	100	168.0	31.8	1.413	1.542	4
6"	5"	150	125	168.0	21.2	1.494	1.631	4
8"	4"	200	100	218.0	57.9	2.751	3.003	2
8"	6"	200	150	220.0	39.0	2.956	3.227	2
10"	8"	250	200	287.0	44.0	5.622	6.137	1
12"	8"	300	200	331.7	76.7	8.218	8.971	1
12"	10"	300	250	328.0	26.0	8.755	9.589	1
14"	12"	350	300	425.1	40.0	13.060	16.300	1
16"	12"	400	300	493.0	88.0	18.400	20.608	1
16"	14"	400	350	543.2	62.6	25.800	28.900	1

This production meets:

(PVC) 1/2-12": ASTM D-2467, 14-16": SEKISUI Standard

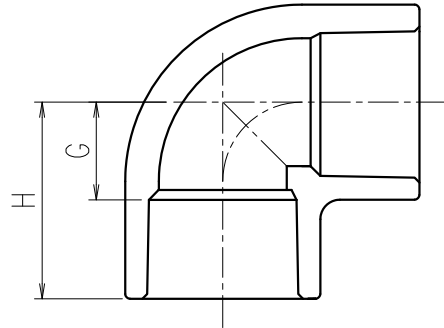
(CPVC) 1/2-12": ASTM F-439, 14-16": SEKISUI Standard

Material

- PVC
- CPVC

Eslon Schedule80 Fittings Reducing Coupling		DWG No.
		⁸ S8RC154H
SEKISUI CHEMICAL CO.,LTD.	Date	Approved by:
	2011.10.11	

Eslon Schedule80 Fittings
90°Elbow SxS



unit: mm

SIZE		H	G	Weight kgs/pc		Package pcs/carton
inch	mm			PVC	CPVC	
1/2"	15	37.5	15.3	0.037	0.040	240
3/4"	20	42.5	17.1	0.045	0.049	160
1"	25	50.0	21.4	0.080	0.087	80
1-1/4"	32	58.0	26.3	0.140	0.153	10
1-1/2"	40	65.0	30.1	0.185	0.202	10
2"	50	74.0	35.9	0.270	0.295	10
2-1/2"	65	89.0	44.6	0.464	0.506	5
3"	80	101.0	53.4	0.771	0.842	5
4"	100	121.0	63.9	1.240	1.354	5
5"	125	150.0	77.5	2.185	2.385	4
6"	150	173.0	93.2	3.530	3.853	4
8"	200	225.0	120.1	7.135	7.788	2
10"	250	290.0	150.0	12.585	12.700	1
12"	300	327.1	172.1	18.835	19.325	1
14"	350	426.6	197.0	26.100	28.290	1
16"	400	492.0	235.4	40.890	44.000	1

This production meets:

(PVC) 1/2-12": ASTM D-2467, 14-16": SEKISUI Standard

(CPVC) 1/2-12": ASTM F-439, 14-16": SEKISUI Standard

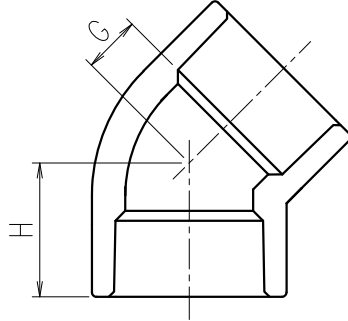
Material

PVC

CPVC

Eslon Schedule80 Fittings 90°Elbow SxS		DWG No.
		⁹ S8EL154H
SEKISUI SEKISUI CHEMICAL CO.,LTD.	Date	Approved by:
	2011.10.11	

Eslon Schedule80 Fittings
45°Elbow SxS



unit: mm

SIZE		H	G	Weight kgs/pc		Package pcs/carton
inch	mm			PVC	CPVC	
1/2"	15	29.0	6.8	0.030	0.033	240
3/4"	20	34.0	8.6	0.040	0.044	240
1"	25	37.0	8.4	0.064	0.070	120
1-1/4"	32	43.0	11.3	0.102	0.111	80
1-1/2"	40	47.0	12.1	0.130	0.142	10
2"	50	55.0	16.9	0.190	0.207	10
2-1/2"	65	64.0	19.6	0.359	0.392	5
3"	80	72.0	24.4	0.580	0.633	5
4"	100	86.0	28.9	0.915	0.999	5
5"	125	106.0	36.0	1.595	1.741	4
6"	150	119.7	40.7	2.580	2.816	4
8"	200	155.2	50.4	4.925	5.376	2
10"	250	206.9	59.9	9.375	9.960	1
12"	300	235.4	81.1	15.330	16.733	1
14"	350	328.9	100.9	21.100	23.180	1
16"	400	360.3	106.6	28.732	32.180	1

This production meets:

(PVC) 1/2-12": ASTM D-2467, 14-24": SEKISUI Standard

(CPVC) 1/2-12": ASTM F-439, 14-24": SEKISUI Standard

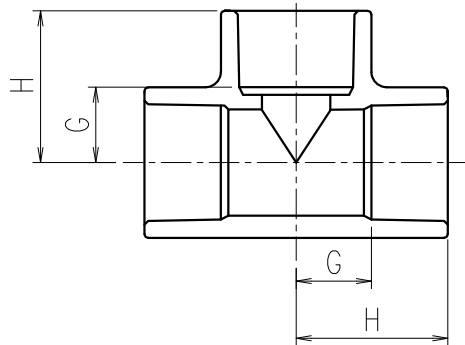
Material

PVC

CPVC

Eslon Schedule80 Fittings 45°Elbow SxS		DWG No.
		¹³ S84L154H
SEKISUI SEKISUI CHEMICAL CO.,LTD.	Date	Approved by:
	2011.10.11	

Eslon Schedule80 Fittings
Tee SxSxS



Unit: mm

Size		H	G	Weight kgs/pc		Package pcs/carton
inch	mm			PVC	CPVC	
1/2"	15	37.5	15.3	0.050	0.055	200
3/4"	20	42.5	17.1	0.065	0.071	120
1"	25	50.0	21.4	0.105	0.115	15
1-1/4"	32	58.0	26.3	0.184	0.201	10
1-1/2"	40	65.0	30.1	0.235	0.257	10
2"	50	74.0	35.9	0.355	0.388	10
2-1/2"	65	89.0	44.6	0.619	0.676	10
3"	80	101.0	53.4	1.010	1.102	5
4"	100	121.0	63.9	1.581	1.726	5
5"	125	147.5	79.5	2.684	2.930	4
6"	150	173.0	94.6	4.325	4.721	4
8"	200	225.0	122.0	8.980	9.802	2
10"	250	290.0	150.0	15.250	16.646	1
12"	300	330.0	181.8	25.245	25.830	1
14"	350	426.6	197.8	35.885	38.800	1
16"	400	492.0	236.2	54.570	58.600	1

This production meets:

(PVC) 1/2-12": ASTM D-2467, 14-16": SEKISUI Standard

(CPVC) 1/2-12": ASTM F-439, 14-16": SEKISUI Standard

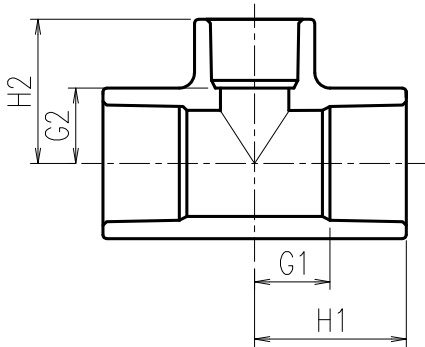
Material

- PVC
 CPVC

Eslon Schedule80 Fittings Tee SxSxS		DWG No.
		¹⁷ S8TE154H
SEKISUI CHEMICAL CO.,LTD.	Date	Approved by:
	2011.10.11	

Esilon Schedule80 Fittings Reducing Tee

Unit: mm



Size				H1	H2	G1	G2	Weight kgs/pc		Package pcs/carton
inch		mm						PVC	CPVC	
3/4"	1/2"	20	15	42.5	40.0	17.1	17.5	0.060	0.067	120
1"	1/2"	25	15	50.0	44.0	21.4	21.5	0.096	0.107	15
1"	3/4"	25	20		46.0			0.098	0.109	15
1-1/4"	1/2"	32	15	58.0	48.0	26.3	26.5	0.152	0.170	10
1-1/4"	3/4"	32	20		52.0			0.154	0.172	10
1-1/4"	1"	32	25		54.0			0.159	0.178	15
1-1/2"	1/2"	40	15	65.0	52.0	30.1	30.0	0.200	0.223	10
1-1/2"	3/4"	40	20		55.0			0.202	0.226	15
1-1/2"	1"	40	25		58.0			0.207	0.231	10
1-1/2"	1-1/4"	40	32		62.0			0.216	0.241	10
2"	1/2"	50	15	74.0	58.0	35.9	36.5	0.281	0.314	10
2"	3/4"	50	20		61.0			0.283	0.316	10
2"	1"	50	25		66.0			0.292	0.326	10
2"	1-1/4"	50	32		68.0			0.303	0.338	10
2"	1-1/2"	50	40		71.0			0.312	0.349	10
2-1/2"	1-1/2"	65	40	89.0	77.0	44.6	44.0	0.534	0.596	5
2-1/2"	2"	65	50		82.0			0.552	0.617	5
3"	1-1/2"	80	40	101.0	85.0	53.4	53.5	0.711	0.794	5
3"	2"	80	50		90.0			0.733	0.819	5
3"	2-1/2"	80	65		97.0			0.768	0.858	5
4"	2"	100	50	121.0	101.0	63.9	66.5	1.328	1.483	5
4"	2-1/2"	100	65		108.0			1.326	1.481	5
4"	3"	100	80		115.5			1.380	1.541	5
5"	4"	125	100	147.5	136.0	79.5	81.0	2.605	2.790	1
6"	3"	150	80	173.0	143.0	94.8	96.0	3.980	4.240	4
6"	4"	150	100		152.0	94.8		4.015	4.320	4
6"	5"	150	125		165.0	94.6		4.180	4.510	1
8"	3"	200	80	225.0	170.0	122.0	123.5	8.290	8.420	4
8"	4"	200	100		180.0			8.190	8.550	2
8"	6"	200	150		202.6			8.545	8.915	2
10"	4"	250	100	290.0	210.0	150.0	153.5	13.435	14.285	1
10"	8"	250	200		261.0			14.645	15.440	1
12"	4"	300	100	330.0	240.5	175.0	181.5	20.965	21.940	1
12"	8"	300	200		286.0			21.600	22.550	1
12"	10"	300	250		331.2			23.120	24.475	1
14"	12"	350	300	426.6	359.5	198.0	197.0	32.950	38.500	1
16"	12"	400	300	492.0	418.4	238.0	225.5	49.000	56.000	1
16"	14"	400	350		492.0			50.835	56.000	1

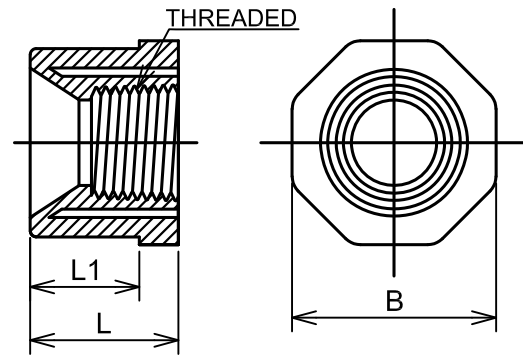
This production meets: (PVC) 1/2-12": ASTM D-2467, 14-16": SEKISUI Standard
(CPVC) 1/2-12": ASTM F-439, 14-16": SEKISUI Standard

Material

- PVC
- CPVC

Esilon Schedule80 Fittings Reducing Tee		DWG No. 21 S8RT154H
SEKISUI CHEMICAL CO.,LTD.	Date 2011.10.05	Approved by:

Eslon Schedule80 Fittings
Reducing Bushing SxFT



unit: mm

Size				L	L1	B	Thread	Weight kgs/pc		Package pcs/ carton
inch		mm	PVC					CPVC		
3/4"	1/2"	20	15	32.5	25.4	30.0	NPT1/2"	0.012	0.013	600
1"	1/2"	25	15	35.5	28.6	38.0	NPT1/2"	0.027	0.030	600
1"	3/4"	25	20				NPT3/4"	0.019	0.021	400
1.1/4"	1/2"	32	15	40.5	31.8	46.5	NPT1/2"	0.051	0.057	150
1.1/4"	3/4"	32	20				NPT3/4"	0.048	0.054	300
1.1/4"	1"	32	25				NPT1"	0.036	0.040	200
1.1/2"	1/2"	40	15	44.0	34.9	53.0	NPT1/2"	0.067	0.075	200
1.1/2"	3/4"	40	20				NPT3/4"	0.068	0.076	200
1.1/2"	1"	40	25				NPT1"	0.058	0.065	200
1.1/2"	1.1/4"	40	32				NPT1.1/4"	0.034	0.038	200
2"	1/2"	50	15	50.0	38.1	66.0	NPT1/2"	0.114	0.127	120
2"	3/4"	50	20				NPT3/4"	0.114	0.127	120
2"	1"	50	25				NPT1"	0.116	0.130	120
2"	1.1/4"	50	32				NPT1.1/4"	0.103	0.115	120
2"	1.1/2"	50	40				NPT1.1/2"	0.085	0.095	120
2.1/2"	1.1/2"	65	40	55.0	44.5	78.0	NPT1.1/2"	0.160	0.179	10
2.1/2"	2"	65	50				NPT2"	0.118	0.132	15
3"	1"	80	25	57.5	47.6	94.0	NPT1"	0.244	0.273	10
3"	1.1/2"	80	40				NPT1.1/2"	0.258	0.288	10
3"	2"	80	50				NPT2"	0.245	0.274	10
3"	2.1/2"	80	65				NPT2.1/2"	0.173	0.193	15
4"	1"	100	25	70.0	57.2	120.0	NPT1"	0.540	0.603	6
4"	1.1/4"	100	32				NPT1.1/4"	0.602	0.672	6
4"	1.1/2"	100	40				NPT1.1/2"	0.597	0.667	6
4"	2"	100	50				NPT2"	0.460	0.514	6
4"	2.1/2"	100	65				NPT2.1/2"	0.420	0.469	6
4"	3"	100	80				NPT3"	0.354	0.395	6
5"	4"	125	100	82.0	66.7	150.0	NPT4"	0.474	0.529	4
6"	3"	150	80	92.0	78.3	175.0	NPT3"	1.123	1.254	5
6"	4"	150	100				NPT4"	1.250	1.396	5
8"	4"	200	100	120.0	101.6	230.0	NPT4"	2.180	2.892	4

This production meets: (PVC) ASTM D-2464 (CPVC) ASTM F-437

Material

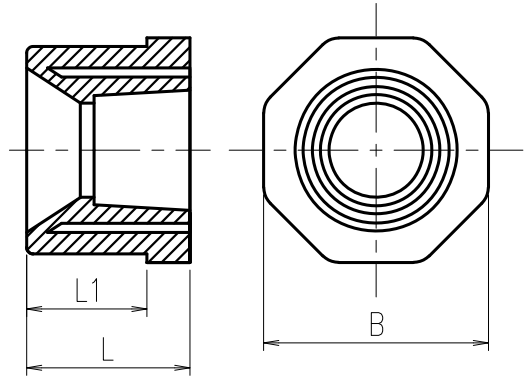
- PVC
- CPVC

Eslon Schedule80 Fittings Reducing Bushing SxFT	DWG No.
	25 S8RBFT152H
Date	Approved by:
2011.10.05	
SEKISUI CHEMICAL CO.,LTD.	

Eslon Schedule80 Fittings
Reducing Bushing SxS

unit : mm

Size		L	L1	B	Weight kgs/pc		Package pcs/carton		
inch	mm				PVC	CPVC			
3/4"	1/2"	20	15	32.5	25.4	30.0	0.012	0.013	600
1"	1/2"	25	15	35.5	28.6	38.0	0.027	0.030	600
1"	3/4"	25	20				0.019	0.021	400
1.1/4"	1/2"	32	15	40.5	31.8	46.5	0.051	0.057	150
1.1/4"	3/4"	32	20				0.048	0.054	300
1.1/4"	1"	32	25				0.036	0.040	200
1.1/2"	1/2"	40	15	44.0	34.9	53.0	0.067	0.075	200
1.1/2"	3/4"	40	20				0.068	0.076	200
1.1/2"	1"	40	25				0.058	0.065	200
1.1/2"	1.1/4"	40	32				0.034	0.038	200
2"	1/2"	50	15	50.0	38.1	66.0	0.114	0.127	120
2"	3/4"	50	20				0.114	0.127	120
2"	1"	50	25				0.116	0.130	120
2"	1.1/4"	50	32				0.103	0.115	120
2"	1.1/2"	50	40				0.085	0.095	120
2.1/2"	1.1/2"	65	40	55.0	44.5	78.0	0.160	0.179	10
2.1/2"	2"	65	50				0.118	0.132	15
3"	1"	80	25	57.5	47.6	94.0	0.244	0.273	10
3"	1.1/2"	80	40				0.258	0.288	10
3"	2"	80	50				0.245	0.274	10
3"	2.1/2"	80	65				0.173	0.193	15
4"	1"	100	25	70.0	57.2	120.0	0.540	0.603	6
4"	1.1/4"	100	32				0.602	0.672	6
4"	1.1/2"	100	40				0.597	0.667	6
4"	2"	100	50				0.460	0.514	6
4"	2.1/2"	100	65				0.420	0.469	6
4"	3"	100	80				0.354	0.395	6
5"	4"	125	100	82.0	66.7	150.0	0.474	0.529	4
6"	3"	150	80	92.0	78.3	175.0	1.123	1.254	5
6"	4"	150	100				1.250	1.396	5
6"	5"	150	125				0.853	0.953	5
8"	4"	200	100	120.0	101.6	230.0	2.180	2.892	4
8"	6"	200	150				2.458	2.746	4
10"	6"	250	150	158.0	137.8	285.0	4.185	5.296	4
10"	8"	250	200				4.648	5.113	4
12"	6"	300	150	174.0	154.0	340.0	7.271	7.880	1
12"	8"	300	200				7.585	7.974	2
12"	10"	300	250				6.624	7.286	2



This production meets: (PVC) ASTM D-2467 (CPVC) ASTM F-439

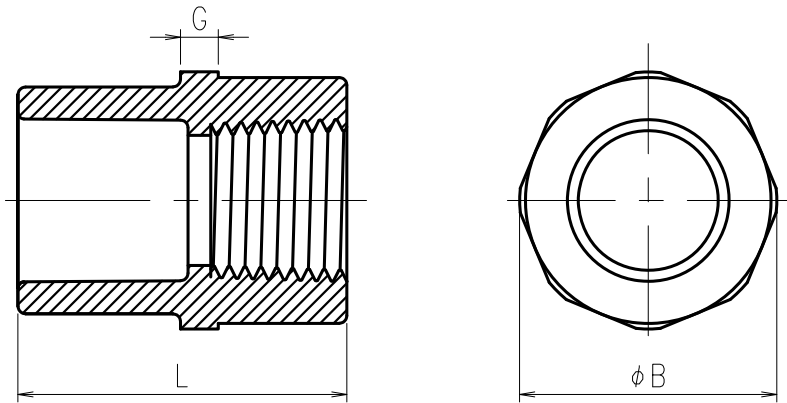
Material

- PVC
- CPVC

Eslon Schedule80 Fittings Reducing Bushing SxS	DWG No.
	S8RB153H
Date	Approved by:
2011.10.05	

SEKISUI CHEMICAL CO.,LTD.

Eslon Schedule80 Fittings
Female Adapter SxFT



Size		L	G	B	Weight kg/pc		Package pcs/carton
inch	mm				PVC	CPVC	
1/2"	15	43.5	5.0	34.0	0.031	0.034	240
3/4"	20	47.0	5.0	40.0	0.042	0.046	160
1"	25	54.0	6.0	48.5	0.063	0.069	80
1.1/4"	32	60.0	6.0	59.0	0.103	0.113	10
1.1/2"	40	64.5	7.0	67.0	0.143	0.157	10
2"	50	70.0	9.5	80.0	0.219	0.239	10
2.1/2"	65	91.5	10.0	95.0	0.336	0.367	5
3"	80	96.0	12.0	112.0	0.517	0.564	5
4"	100	108.0	13.0	144.0	0.782	0.853	5

This production meets:

Socket) PVC: ASTM D-2467, CPVC: ASTM F-439

Thread) PVC: ASTM D-2464, CPVC: ASTM F-437

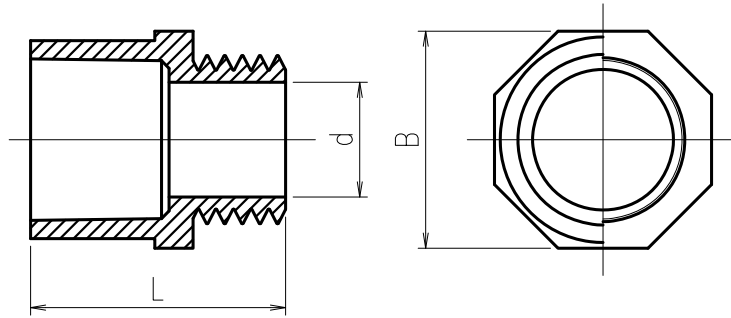
Material

PVC

CPVC

Eslon Schedule80 Fittings Female Adapter SxFT		DWG No.
		²⁶ S8FA151H
SEKISUI CHEMICAL CO.,LTD.	Date	Approved by:
	2011.10.04	

Eslon Schedule80 Fittings
Male Adapter MptxS



Unit: mm

Size		L	d	B	Weight kg/pc		Package pcs/carton
inch	mm				PVC	CPVC	
1/2"	15	46.0	13.0	33.0	0.023	0.026	300
3/4"	20	50.0	18.0	39.0	0.025	0.028	300
1"	25	56.0	24.0	47.0	0.040	0.045	120
1.1/4"	32	63.0	32.0	58.0	0.064	0.071	120
1.1/2"	40	66.0	37.0	64.0	0.090	0.101	120
2"	50	73.0	49.0	77.0	0.120	0.134	80
2.1/2"	65	93.0	58.0	94.0	0.220	0.246	5
3"	80	98.0	72.0	111.0	0.300	0.335	5
4"	100	112.0	96.0	139.0	0.510	0.570	5

This production meets:

Socket) PVC: ASTM D-2467, CPVC: ASTM F-439

Thread) PVC: ASTM D-2464, CPVC: ASTM F-437

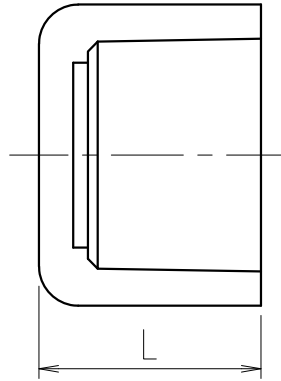
Material

PVC

CPVC

Eslon Schedule80 Fittings Male Adapter MptxS		DWG No.
		27 S8MA151H
SEKISUI CHEMICAL CO.,LTD.	Date	Approved by:
	2011.10.04	

Eslon Schedule80 Fittings
Cap With Socket



Unit: mm

Size		L	Weight kg/pc		Package pcs/carton
inch	mm		PVC	CPVC	
1/2"	15	30.0	0.016	0.018	300
3/4"	20	36.0	0.023	0.025	300
1"	25	41.0	0.036	0.040	180
1-1/4"	32	47.0	0.058	0.060	120
1-1/2"	40	52.0	0.090	0.100	120
2"	50	59.0	0.120	0.144	80
2-1/2"	65	67.0	0.205	0.224	40
3"	80	77.0	0.360	0.382	5
4"	100	92.0	0.467	0.518	5
5"	125	107.0	0.768	0.830	4
6"	150	124.0	1.196	1.339	4
8"	200	165.0	2.332	3.190	3
10"	250	191.0	4.595	6.121	1
12"	300	215.0	7.089	9.300	1

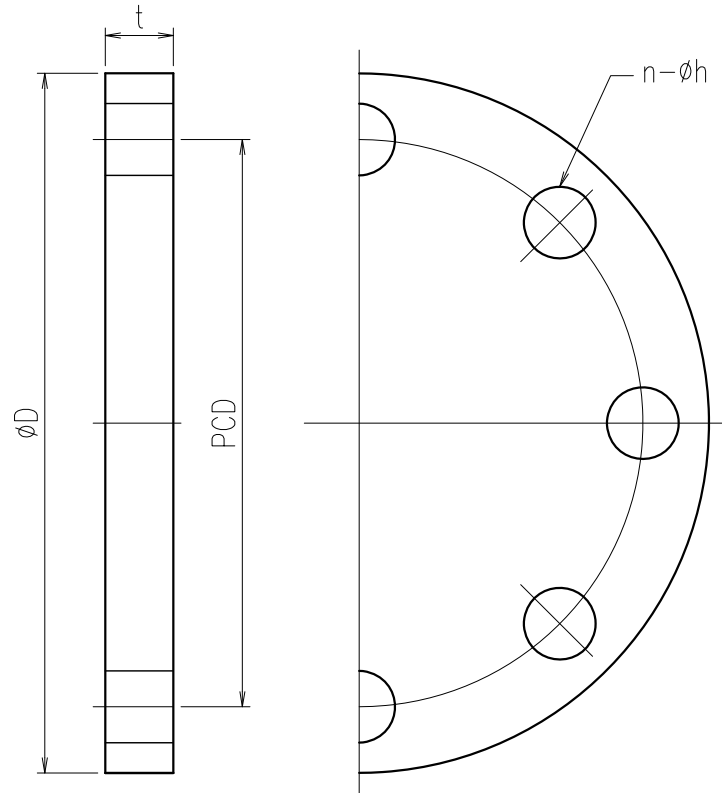
This production meets: (PVC) ASTM D-2467
(CPVC) ASTM F-439

Material

- PVC
- CPVC

Eslon Schedule80 Fittings Cap With Socket	Date	DWG No.
	2011.10.11	S8SC153H ²⁸
Approved by:		
SEKISUI CHEMICAL CO.,LTD.		

Eslon Schedule80 Fittings
Blind Flange (ANSI 150psi)



unit:mm

	Size		t	D	PCD	n	h	package kg/ carton	
	inch	mm						PVC	CPVC
<input type="checkbox"/>	1/2"	15	12	89	60.5	4	16	0.108	0.121
<input type="checkbox"/>	3/4"	20	13	98	70.0	4	16	0.148	0.165
<input type="checkbox"/>	1"	25	15	108	79.5	4	16	0.216	0.241
<input type="checkbox"/>	1.1/4"	32	16	117	89.0	4	16	0.254	0.284
<input type="checkbox"/>	1.1/2"	40	18	127	98.5	4	16	0.295	0.329
<input type="checkbox"/>	2"	50	18	152	120.5	4	19	0.463	0.518
<input type="checkbox"/>	2.1/2"	65	22	178	139.5	4	19	0.755	0.843
<input type="checkbox"/>	3"	80	24	191	152.4	4	19	0.928	1.037
<input type="checkbox"/>	4"	100	24	229	190.5	8	19	1.501	1.676
<input type="checkbox"/>	5"	125	26	254	216.0	8	22	1.746	1.950
<input type="checkbox"/>	6"	150	26	282	241.5	8	22	2.229	2.489
<input type="checkbox"/>	8"	200	28	343	298.5	8	22	3.410	3.809
<input type="checkbox"/>	10"	250	28	406	362.0	12	25	7.545	4.966
<input type="checkbox"/>	12"	300	28	483	432.0	12	25	10.828	12.095
<input type="checkbox"/>	14"	350	45	535	476.0	12	29	14.905	13.560
<input type="checkbox"/>	16"	400	45	595	540.0	16	29	16.843	17.930
<input type="checkbox"/>	18"	450	45	635	578.0	16	32	17.942	19.735
<input type="checkbox"/>	20"	500	45	700	635.0	20	32	21.642	23.803
<input type="checkbox"/>	24"	600	45	815	749.0	20	35	28.130	30.940

※16"~24" PROCESSED PVC BLIND FLANGE

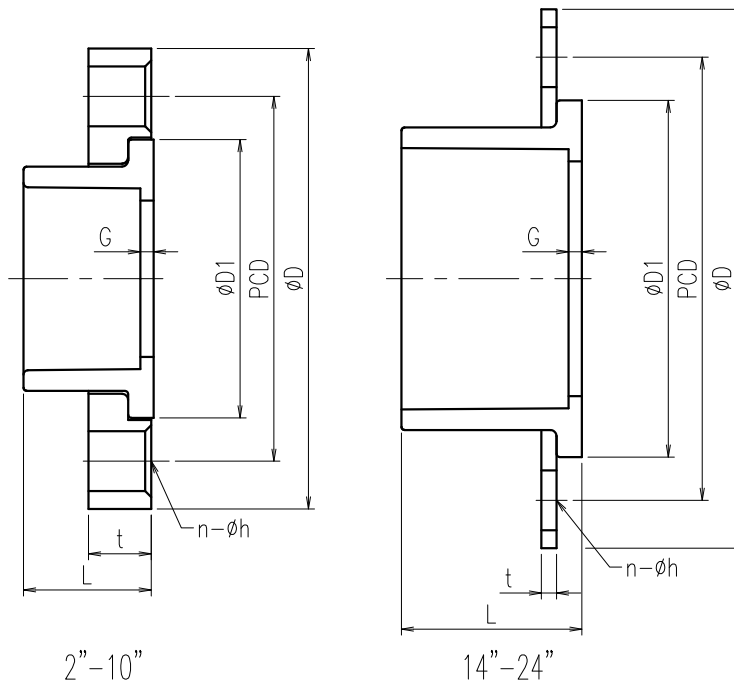
This production meets:1/2-12" ANSI B16.5 150PSI, 14-24" SEKISUI standard

Material

- PVC
- CPVC

Eslon Schedule80 Fittings Blind Flange (ANSI 150psi)		DWG No.
		⁴⁰ S8BFA156H
SEKISUI SEKISUI CHEMICAL CO.,LTD.	Date	Approved by:
	2011.10.11	

Eslon Schedule80 Fittings
Van Stone Flange (JIS) –Socket (ASTM)



Unit: mm

Size		L	t (Min.)	G	D	D1	PCD	n	h	Weight kgs/pc		Package pcs/carton
inch	mm									PVC	CPVC	
2"	50	43.0	20.0	4.4	153.0	92.0	120	4	20	0.473	0.446	10
2-1/2"	65	51.0	24.5	6.6	178.3	108.0	140	4	20	0.741	0.683	10
3"	80	55.0	27.0	5.1	185.0	119.5	150	8	19	0.916	0.770	10
4"	100	64.0	28.0	5.2	210.0	149.0	175	8	19	1.403	0.990	10
5"	125	82.0	28.0	14.6	250.0	179.0	210	8	23	1.923	1.657	10
6"	150	85.0	32.0	5.5	283.4	207.0	240	8	23	2.330	2.124	5
8"	200	120.5	36.0	12.1	330.0	263.3	290	12	23	3.400	3.927	2
10"	250	150.0	42.0	12.6	400.0	320.5	355	12	25	4.923	5.686	1
14"	350	203.0	14.0	19.0	490.0	414.0	445	16	25	12.670	13.365	1
16"	400	225.0	14.0	21.0	560.0	470.0	510	16	27	17.990	18.850	1
18"	450	248.0	14.0	22.0	620.0	529.7	565	20	27	23.170	25.277	1
20"	500	280.0	15.0	21.0	675.0	584.4	620	20	27	34.300	36.103	1
24"	600	344.0	15.0	39.0	795.0	698.0	730	24	33	59.350	60.723	1

※ 350A (14") –600A (24") : SS400+ Epoxy Coating

※ This production meets:

Socket

[PVC]50A (2") –250A (10") : ASTM D-2467. 350 (14") –600 (24") : SEKISUI Standard

[CPVC]50A (2") –250A (10") : ASTM F-439. 350 (14") –600 (24") : SEKISUI Standard

Flange

The dimension for Diameter, PCD and Bolt Hole Patterns are in accordance with JIS B 2220 10K

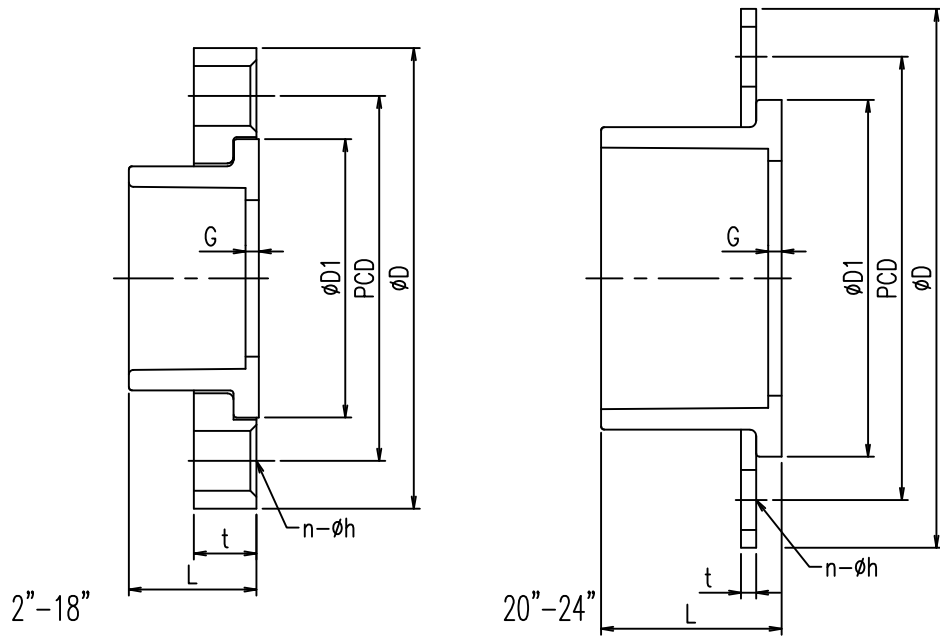
Material

PVC

CPVC

Esilon Schedule80 Fittings Van Stone Flange (JIS) –Socket (ASTM)		DWG No. S8VAJ506H
SEKISUI CHEMICAL CO.,LTD.		Approved by:
Date 2011.10.11		

Eslon Schedule80 Fittings
Van Stone Flange (ANSI) –Socket (ASTM)



Unit: mm

Size		Pressure MPa	L	t	G	D	D1	PCD	n	h	Weight kg/pc	
inch	mm										PVC	CPVC
1/2"	15	1.0	25.0	11.2	2.78	88.9	38.6	60.5	4	15.9	0.075	0.100
3/4"	20	1.0	29.5	12.7	4.10	98.6	47.0	70.0	4	15.9	0.105	0.160
1"	25	1.0	32.0	14.5	3.42	108.0	56.4	79.5	4	15.9	0.150	0.180
1-1/4"	32	1.0	38.5	15.7	6.75	117.4	65.0	89.0	4	15.9	0.190	0.240
1-1/2"	40	1.0	40.5	17.5	5.57	127.0	74.0	98.5	4	15.9	0.170	0.290
2"	50	1.0	43.0	20.0	4.40	152.0	92.0	120.5	4	19.1	0.390	0.429
2-1/2"	65	1.0	51.0	24.5	6.60	178.0	108.0	139.5	4	19.1	0.595	0.655
3"	80	1.0	55.0	27.0	5.10	191.0	119.5	152.4	4	19.1	0.734	0.807
4"	100	1.0	64.0	28.0	5.20	229.0	149.0	190.5	8	19.1	1.066	1.173
5"	125	1.0	82.0	28.0	14.60	254.0	179.0	216.0	8	22.4	1.423	1.565
6"	150	1.0	85.0	32.0	5.50	283.2	207.0	241.5	8	22.4	1.820	2.002
8"	200	1.0	120.5	36.0	12.10	343.0	263.3	298.5	8	22.4	3.500	3.734
10"	250	1.0	150.0	42.0	12.60	406.0	320.5	362.0	12	25.4	4.923	5.415
12"	300	1.0	190.0	42.0	16.70	483.0	382.0	432.0	12	25.4	8.800	9.680
14"	350	1.0	203.0	51.0	19.00	533.0	414.0	476.0	12	28.4	11.778	12.329
16"	400	1.0	225.0	60.0	21.00	597.0	470.0	540.0	16	28.4	16.620	17.460
18"	450	1.0	248.0	60.0	22.00	635.0	529.7	578.0	16	31.8	19.315	21.599
20"	500	0.6	280.0	17.5	21.00	699.0	584.4	635.0	20	31.8	33.030	46.231
		1.0		29.0							47.751	49.554
24"	600	0.6	344.0	19.0	39.00	813.0	698.0	749.0	20	35.1	60.558	61.931
		1.0		32.0							75.704	77.077

※20", 24": SS400+Epoxy Coating

·This production meets:

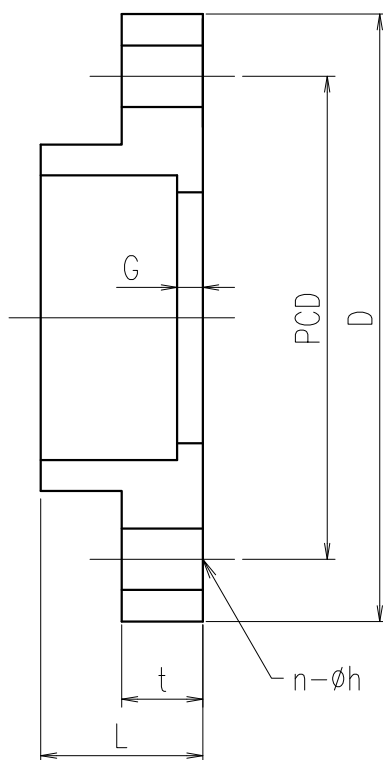
Socket [PVC]15A(1/2") –300A(12") : ASTM D-2467, 350(14") –600(24") : ASTM D-2672

[CPVC]15A(1/2") –300A(12") : ASTM F-439, 350(14") –600(24") : ASTM D-2672

Flange The dimension for Diameter PCD and Bolt Hole Patterns of Flange are in ANSI B16.5 150PSI

Esilon Schedule80 Fittings Van Stone Flange (ANSI) –Socket (ASTM)		DWG No.
		38 S8VSA506H
SEKISUI CHEMICAL CO.,LTD.	Date	Approved by:
	2011.10.11	

Eslon Schedule80 Fittings
One Piece Flange Flange (ANSI) –Socket (ASTM)



Unit: mm

Size		L	t (Min.)	G	D	PCD	n	h	Weight kgs/pc		Package pcs/carton
inch	mm								PVC	CPVC	
1/2"	15	25.0	11.5	2.8	89.0	60.5	4	15.7	0.100	0.105	25
3/4"	20	29.5	13.0	4.1	98.8	70.0	4	15.7	0.140	0.134	25
1"	25	32.0	14.5	3.4	108.3	79.5	4	15.7	0.191	0.212	20
1-1/4"	32	38.5	17.6	4.8	118.8	89.0	4	15.7	0.255	0.268	20
1-1/2"	40	40.5	19.0	5.6	127.5	98.5	4	15.7	0.318	0.324	20
2"	50	46.6	19.5	6.9	152.0	120.5	4	19.1	0.458	0.512	10
2-1/2"	65	51.0	22.5	6.6	177.0	139.5	4	19.1	0.749	0.799	10
3"	80	55.0	27.1	7.4	192.8	152.5	4	19.1	0.880	0.983	10
4"	100	64.0	29.3	6.9	229.7	190.5	8	19.1	1.340	1.497	10
5"	125	82.0	28.0	14.0	254.0	216.0	8	22.4	1.648	1.841	10
6"	150	84.5	25.5	6.6	279.0	241.5	8	22.4	2.220	1.944	5
8"	200	116.0	29.0	13.0	343.0	298.5	8	22.4	3.400	3.798	2

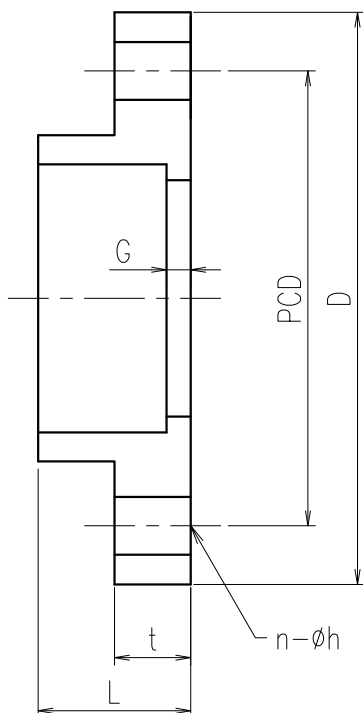
This production meets:
Socket) (PVC) ASTM D-2467
(CPVC) ASTM F-439
Flange) ANSI B16.5 150PSI

Material

- PVC
- CPVC

Eslon Schedule80 Fittings One Piece Flange Flange (ANSI) –Socket (ASTM)		DWG No. S80FA152H ³²
Date 2011.10.11		Approved by:
SEKISUI CHEMICAL CO.,LTD.		

Eslon Schedule80 Fittings
One Piece Flange Flange (JIS) –Socket (ASTM)



Unit: mm

Size		L	t (最小)	G	D	PCD	n	h	Weight kgs/pc		Package pcs/carton
inch	mm								PVC	CPVC	
1/2"	15	25.0	14.0	2.8	95	70	4	15	0.096	0.107	25
3/4"	20	29.5	14.0	4.1	100	75	4	15	0.123	0.137	25
1"	25	32.0	14.0	3.4	125	90	4	19	0.195	0.218	20
1-1/4"	32	38.5	16.0	3.5	135	100	4	19	0.247	0.276	20
1-1/2"	40	40.5	16.0	5.6	140	105	4	19	0.320	0.358	20
2"	50	45.0	20.0	6.9	155	120	4	19	0.473	0.528	10
2-1/2"	65	51.0	22.0	6.6	175	140	4	19	0.600	0.815	10
3"	80	55.0	22.0	5.0	185	150	8	19	0.700	0.752	10
4"	100	64.0	22.0	5.2	210	175	8	19	0.900	0.984	10
5"	125	82.0	24.0	14.0	250	210	8	23	1.410	1.508	10
6"	150	84.5	25.5	6.2	280	240	8	23	1.800	2.564	5
8"	200	116.0	28.0	13.0	330	290	12	23	2.900	3.927	2

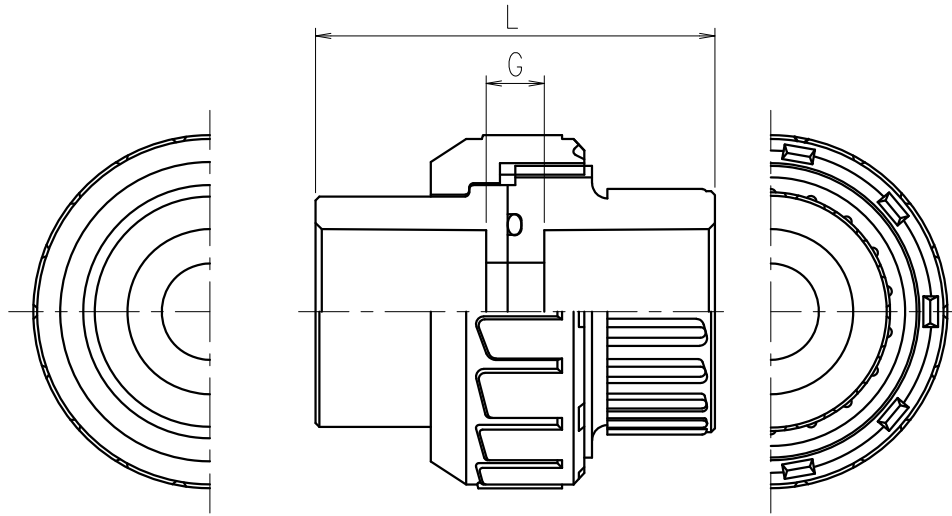
This production meets:
Socket) (PVC) ASTM D-2467
(CPVC) ASTM F-439
Flange) JIS B 2220 10K

Material

- PVC
- CPVC

Eslon Schedule80 Fittings One Piece Flange Flange (JIS) –Socket (ASTM) ³³		DWG No. S80FJ152H
Date 2011.10.11		Approved by:
SEKISUI CHEMICAL CO.,LTD.		

Eslon Schedule80 Fittings
Union



Size		L	G	O-Ring	Weight kg/pc		Package pcst/ carton
inch	mm				PVC	CPVC	
1/2"	15	52	6.5	P20	0.047	0.050	24
3/4"	20	59	7.5	P24	0.073	0.080	24
1"	25	67	8.0	P30	0.132	0.140	24
1-1/4"	32	76	12.5	P36	0.208	0.217	12
1-1/2"	40	82	10.5	P46	0.271	0.295	9
2"	50	92	14.0	P58	0.433	0.475	6
2-1/2"	65	108	19.0	P71	0.667	0.775	6
3"	80	120	25.0	P85	1.093	1.180	4
4"	100	152	37.0	P112	1.873	2.050	4

This production meets:
PVC: ASTM D-2467, CPVC: ASTM F-439

Material

- PVC
- CPVC

Eslon Schedule80 Fittings Union		DWG No.
		⁴¹ S8UN151H
SEKISUI SEKISUI CHEMICAL CO.,LTD.	Date	Approved by:
	2011.10.11	