

| No. | Part Name | Q'ty | Material/Type |
|-----|-----------------------------|------------------|---------------|
| 1 | Body | 1 | PVC |
| 2 | Stem | 1 | |
| 3 | Ball Stopper | 1 | |
| 4 | Ball | 1 | |
| 5 | Union Nut | 2 | |
| 6 | Set Ring | | |
| 7 | Flange End | 2 | |
| 8 | Stem O-ring | 15-32A 40-50A | □EPDM □FKM |
| 9 | Ball Stopper O-ring | 1 | |
| 10 | Union O-ring | 2 | |
| 11 | Ball Seat O-ring | 2 | |
| 12 | Handle | 1 | ABS |
| 13 | Ball Seat | 2 | PTFE |
| 14 | Open position display plate | 1 | PVC |
| 15 | Open position display label | 1 | - |

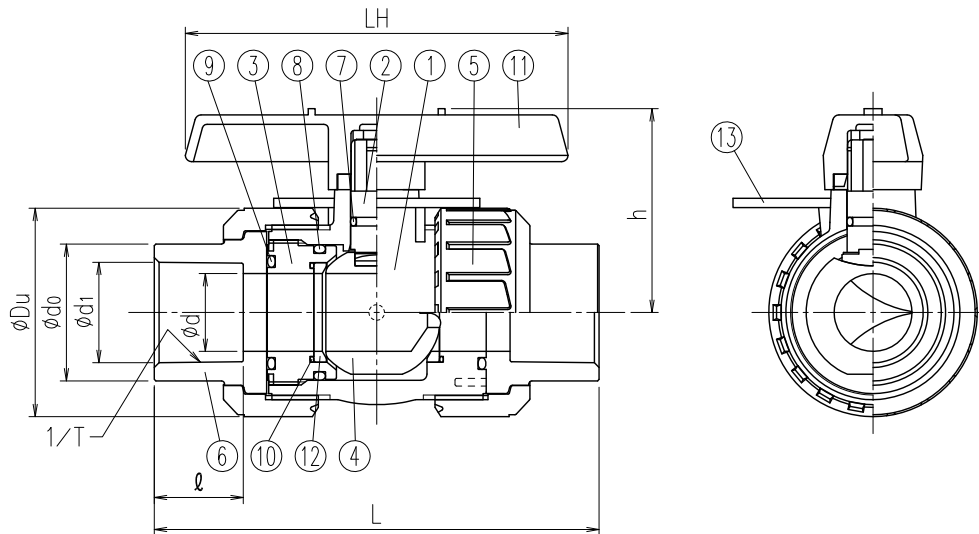
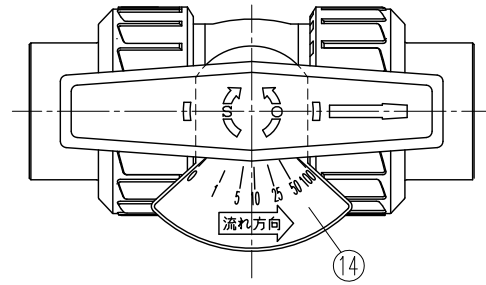
Dimension Table

Unit: mm

| Size | A(B) | ϕd | L | Flange End | | | | h | ϕDu | LH |
|-------------|------|----------|---------|------------|----------|------------|----|-----|-----------|-----|
| | | | | ϕD | ϕC | $n-\phi h$ | t | | | |
| □ 15(1/2) | 15 | 15 | 143±1.5 | 95 | 70 | 4-15 | 14 | 50 | 49 | 95 |
| □ 20(3/4) | 20 | 20 | 172±1.5 | 100 | 75 | 4-15 | 14 | 53 | 59 | 95 |
| □ 25(1) | 25 | 25 | 187±1.5 | 125 | 90 | 4-19 | 14 | 66 | 67 | 123 |
| □ 32(1.1/4) | 32 | 32 | 190±1.5 | 135 | 100 | 4-19 | 16 | 74 | 81 | 123 |
| □ 40(1.1/2) | 40 | 40 | 212±1.5 | 140 | 105 | 4-19 | 16 | 100 | 98 | 152 |
| □ 50(2) | 50 | 50 | 234±1.5 | 155 | 120 | 4-19 | 20 | 107 | 120 | 152 |

Note) Flange dimensions are according to JIS B 2220:2004.

| | | |
|--|--|--------------|
| Client name | | Date |
| Handle color | <input type="checkbox"/> Orange (standard) <input type="checkbox"/> Green <input type="checkbox"/> Ivory <input type="checkbox"/> White <input type="checkbox"/> Yellow <input type="checkbox"/> Blue | Approved by: |
| Oil Free | <input type="checkbox"/> YES | |
| ESLON | | |
| YP Ball Valve Flange Type 15~50A | | |
| Drawing No. YV1550FXE | | |
| SEKISUI SEKISUI CHEMICAL CO.,LTD. | | |



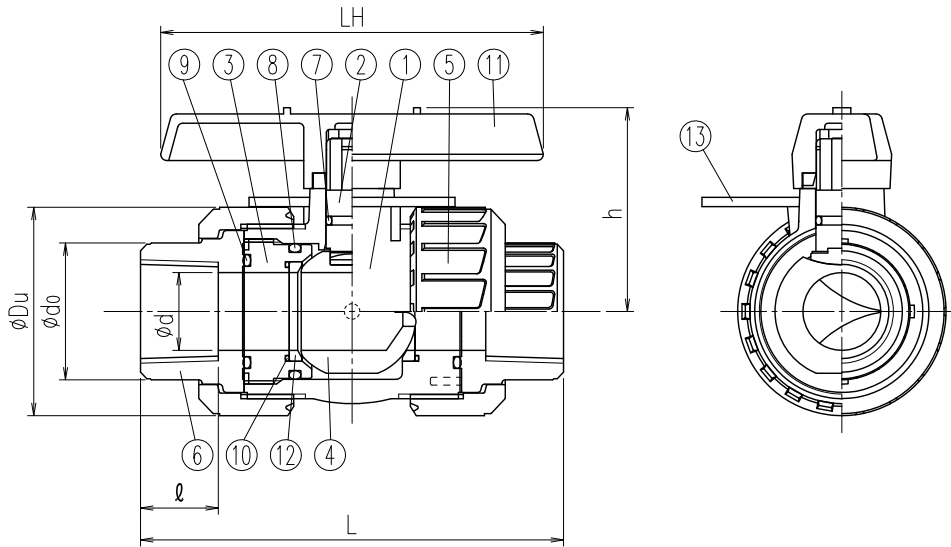
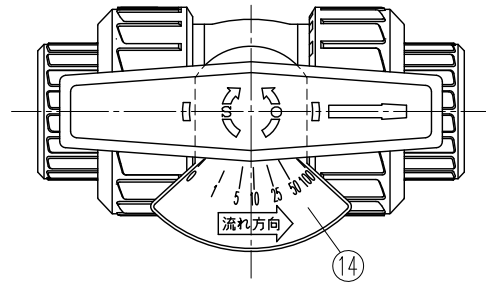
Dimension Table

Unit: mm

| Size | A(B) | ϕd | L | TS Socket | | | | h | ϕD_u | LH |
|------------------------------------|------|----------|---------|------------|------|----|------------|-----|------------|-----|
| | | | | ϕd_1 | 1/T | l | ϕd_o | | | |
| <input type="checkbox"/> 15(1/2) | 15 | 15 | 109±3.0 | 22.3 | 1/37 | 22 | 33 | 50 | 49 | 95 |
| <input type="checkbox"/> 20(3/4) | 20 | 20 | 132±3.0 | 26.3 | 1/42 | 25 | 35 | 53 | 59 | 95 |
| <input type="checkbox"/> 25(1) | 25 | 25 | 143±3.0 | 32.3 | 1/43 | 29 | 44 | 66 | 67 | 123 |
| <input type="checkbox"/> 32(1·1/4) | 32 | 32 | 166±3.0 | 38.4 | 1/37 | 32 | 54 | 74 | 81 | 123 |
| <input type="checkbox"/> 40(1·1/2) | 40 | 40 | 175±3.0 | 48.5 | 1/38 | 35 | 66 | 100 | 98 | 152 |
| <input type="checkbox"/> 50(2) | 50 | 50 | 203±3.0 | 60.6 | 1/34 | 38 | 77 | 107 | 120 | 152 |

| No. | Part Name | Q'ty | Material/Type |
|-----|-----------------------------|------------------|-------------------------------|
| 1 | Body | 1 | |
| 2 | Stem | 1 | |
| 3 | Ball Stopper | 1 | PVC |
| 4 | Ball | 1 | |
| 5 | Union Nut | 2 | |
| 6 | TS socket | 2 | |
| 7 | Stem O-ring | 15-32A 40-50A | 1 2 |
| 8 | Ball Stopper O-ring | | <input type="checkbox"/> EPDM |
| 9 | Union O-ring | | <input type="checkbox"/> FKM |
| 10 | Ball Seat O-ring | | |
| 11 | Handle | 1 | ABS |
| 12 | Ball Seat | 2 | PTFE |
| 13 | Open position display plate | 1 | PVC |
| 14 | Open position display label | 1 | - |

| | | |
|--|--|--------------|
| Client name | | Date |
| Handle color | <input type="checkbox"/> Orange (standard) <input type="checkbox"/> Green <input type="checkbox"/> Ivory <input type="checkbox"/> White <input type="checkbox"/> Yellow <input type="checkbox"/> Blue | Approved by: |
| Oil Free | <input type="checkbox"/> YES | |
| ESLON | | |
| YP Ball Valve TS Socket 15~50A | | |
| Drawing No. YV1550SXE | | |
| SEKISUI SEKISUI CHEMICAL CO.,LTD. | | |



| No. | Part Name | Q'ty | Material/Type |
|-----|-----------------------------|------------------|---------------|
| 1 | Body | 1 | PVC |
| 2 | Stem | 1 | |
| 3 | Ball Stopper | 1 | |
| 4 | Ball | 1 | |
| 5 | Union Nut | 2 | □EPDM □FKM |
| 6 | Thread Socket | 2 | |
| 7 | Stem O-ring | 15-32A 40-50A | |
| 8 | Ball Stopper O-ring | 1 | |
| 9 | Union O-ring | 2 | ABS |
| 10 | Ball Seat O-ring | 2 | |
| 11 | Handle | 1 | PTFE |
| 12 | Ball Seat | 2 | |
| 13 | Open position display plate | 1 | PVC |
| 14 | Open position display label | 1 | - |

Dimension Table

Unit: mm

| Size | A(B) | ϕd | L | Thread | | | h | ϕDu | LH |
|--------------|------|----------|---------|--------|-----|-----------|-----|-----------|-----|
| | | | | Rc | l | ϕdo | | | |
| □ 15 (1/2) | 15 | 15 | 97±3.0 | 1/2 | 18 | 30 | 50 | 49 | 95 |
| □ 20 (3/4) | 20 | 20 | 117±3.0 | 3/4 | 18 | 35 | 53 | 59 | 95 |
| □ 25 (1) | 25 | 25 | 128±3.0 | 1 | 23 | 44 | 66 | 67 | 123 |
| □ 32 (1·1/4) | 32 | 32 | 146±3.0 | 1·1/4 | 23 | 54 | 74 | 81 | 123 |
| □ 40 (1·1/2) | 40 | 40 | 163±3.0 | 1·1/2 | 25 | 65 | 100 | 98 | 152 |
| □ 50 (2) | 50 | 50 | 188±3.0 | 2 | 30 | 77 | 107 | 120 | 152 |

Note) Thread socket dimensions are according to JIS B 0203.

| | | |
|--|--|--------------|
| Client name | | Date |
| Handle color | <input type="checkbox"/> Orange (standard) <input type="checkbox"/> Green <input type="checkbox"/> Ivory <input type="checkbox"/> White <input type="checkbox"/> Yellow <input type="checkbox"/> Blue | Approved by: |
| Oil Free | <input type="checkbox"/> YES | |
| ESLON | | |
| YP Ball Valve Thread Type 15~50A | | |
| Drawing No. YV1550NXE | | |
| SEKISUI SEKISUI CHEMICAL CO.,LTD. | | |