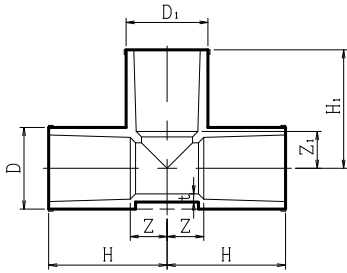
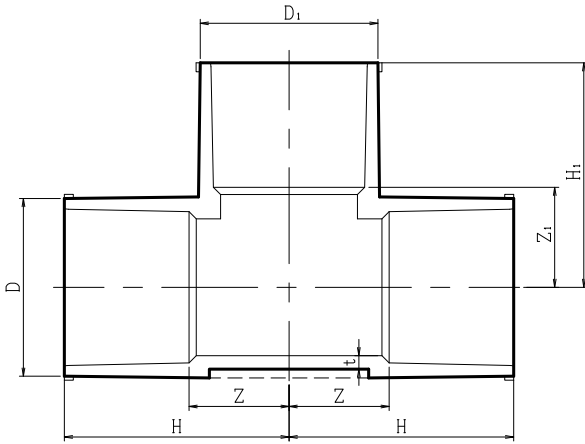


Item Clean Fittings Tee



13x13~50x50mm

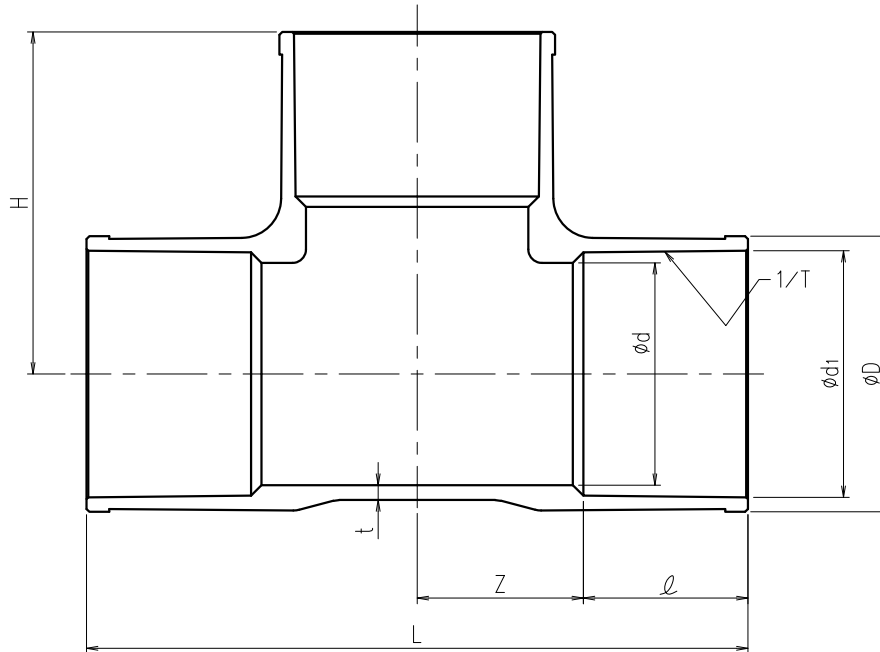


65x50~150x150mm

Designated Size	Nominal Diameter A	D	D1	H ±4	H1	t (Ref.)	Z (Ref.)	Z1 (Ref.)
□ 13	13	24	24	37	37	3.0	8	8
□ 16x13	16x13	29	24	42	42	3.5	10	14
□ 16	16	29	29	43	43	3.5	13	13
□ 20x13	20x13	33	24	47	42	3.5	12	16
□ 20x16	20x16	33	29	48	45	3.5	13	15
□ 20	20	33	33	52	52	3.5	15	15
□ 25x13	25x13	40	24	53	46	4.0	12	19
□ 25x16	25x16	40	29	53	48	4.0	13	18
□ 25x20	25x20	40	33	57	54	4.0	15	18
□ 25	25	40	40	60	60	4.0	18	18
□ 30x13	30x13	46	24	56	48	4.0	11	22
□ 30x16	30x16	46	29	59	53	4.0	13	21
□ 30x20	30x20	46	33	60	58	4.0	15	21
□ 30x25	30x25	46	40	64	63	4.0	19	23
□ 30	30	46	46	65	66	4.0	21	21
□ 40x13	40x13	57	24	68	53	4.5	11	26
□ 40x16	40x16	57	29	70	57	4.5	13	25
□ 40x20	40x20	58	33	72	64	4.5	17	28
□ 40x25	40x25	58	40	74	68	4.5	18	27
□ 40x30	40x30	57	46	77	72	4.5	21	27
□ 40	40	57	57	82	82	4.5	27	27
□ 50x13	50x13	70	24	76	58	5.0	11	30
□ 50x16	50x16	70	29	76	63	5.0	13	31
□ 50x20	50x20	70	33	78	70	5.0	15	35
□ 50x25	50x25	70	40	81	73	5.0	18	33
□ 50x30	50x30	70	46	85	79	5.0	21	33
□ 50x40	50x40	70	57	91	89	5.0	28	34
□ 50	50	70	70	98	98	5.0	33	33
□ 65x50	65x50	87	70	102	107	6.6	40	42
□ 65	65	87	87	114	114	6.6	50	50
□ 75x25	75x25	103	42	93	88	8.0	29	48
□ 75x40	75x40	102	57	100	102	8.0	36	47
□ 75x50	75x50	102	70	105	110	8.0	41	47
□ 75x65	75x65	102	87	115	119	8.0	49	56
□ 75	75	102	102	123	123	8.0	58	58
□ 100x50	100x50	130	72	125	122	10.0	41	59
□ 100x75	100x75	130	102	140	132	10.0	54	66
□ 100	100	130	130	152	152	10.0	68	68
□ 125x100	125x100	160	130	176	167	11.0	72	83
□ 125	125	160	160	189	189	11.0	84	84
□ 150x75	150x75	186	102	195	158	13.0	63	94
□ 150x100	150x100	186	134	207	181	13.0	76	97
□ 150x125	150x125	186	157	217	201	13.0	85	97
□ 150	150	187	187	233	233	13.0	100	100

Item	Clean Fittings Tee	DWG No.
		FT25ATTV(E)
SEKISUI CHEMICAL CO.,LTD.	Date	Approved by:
	2010.06.08	

Tee
200-300A



Dimension Table

Unit:mm

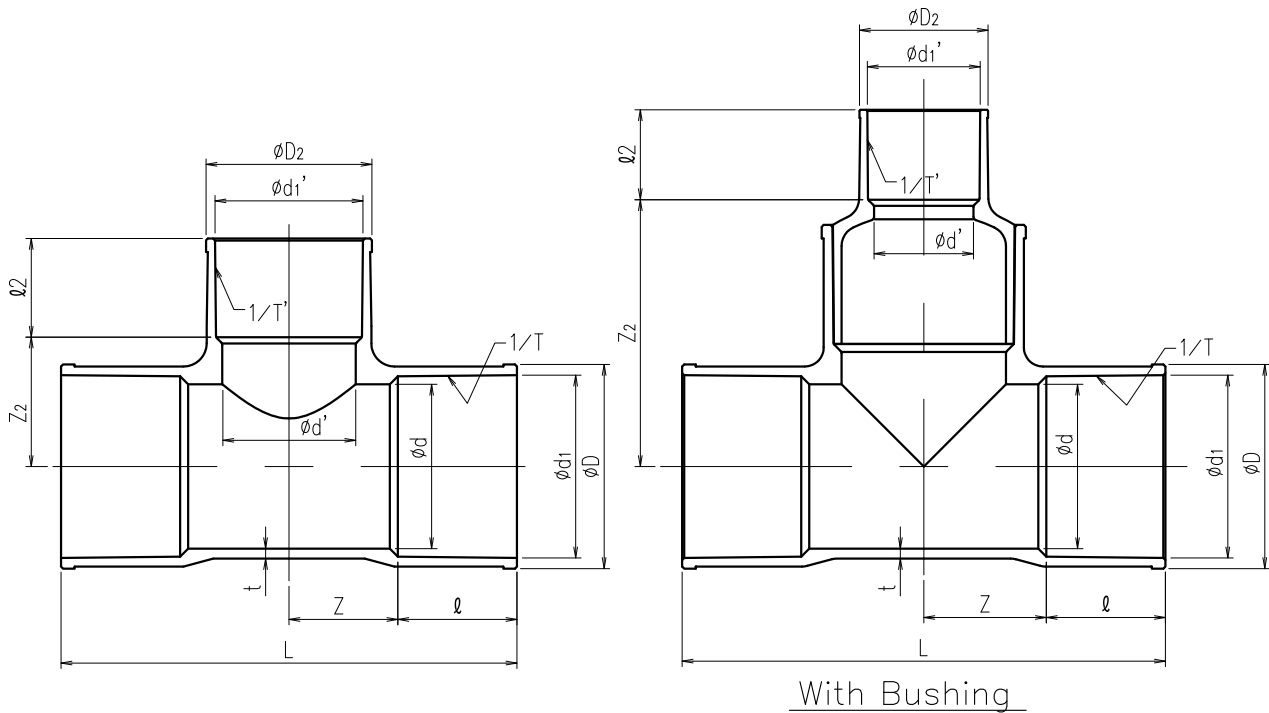
	Size		øD	ød	ød1	1/T	l	H	Z	L	t	Nominal pressure (MPa)
	A	B										
<input type="checkbox"/>	200	8	243	196	217.4±0.7	1/50	145	267	122	534	13.0	0.75
<input type="checkbox"/>	250	10	300	242	268.6±0.7	1/50	175	355	180	710	14.5	0.75
<input type="checkbox"/>	300	12	356	285	319.8±0.8	1/50	185	410	225	820	16.0	0.6

Material

- Esloclean
- HI-PVC
- U-PVC

Tee 200-300A		DWG No.
		FT200TVE
SEKISUI SEKISUI CHEMICAL CO.,LTD.	Date	Approved by:
	2010.10.27	

Eslon Fittings Reducing Tee 200~300A



Dimension Table

Unit:mm

	Size		ϕD	ϕd	ϕd_1	1/T	ℓ	Z	ϕD_2	$\phi d'$	$\phi d_1'$	1/T'	$\phi 2$	Z ₂	L	t (Min.)	Nominal pressure (MPa)
	A	B															
<input type="checkbox"/>	200x75	8x3	243	196	217.4±0.7	1/50	145	56	106	77	89.6±0.3	1/49	64	116	402	13.0	0.75
<input type="checkbox"/>	200x100	8x4	243	196	217.4±0.7	1/50	145	73	134	102	114.7±0.3	1/56	84	116	436	13.0	0.75
<input type="checkbox"/>	200x150	8x6	243	196	217.4±0.7	1/50	145	100	189	146	166.0±0.4	1/63	132	125	490	13.0	0.75
<input type="checkbox"/>	250x75	10x3	300	242	268.6±0.7	1/50	175	71	106	77	89.6±0.3	1/49	64	146	492	14.5	0.75
<input type="checkbox"/>	250x100	10x4	300	242	268.6±0.7	1/50	175	92	134	102	114.7±0.3	1/56	84	141	534	14.5	0.75
<input type="checkbox"/>	250x150*	10x6	300	242	268.6±0.7	1/50	175	180	189	146	166.0±0.4	1/63	132	392	710	14.5	0.75
<input type="checkbox"/>	250x200	10x8	300	242	268.6±0.7	1/50	175	160	243	196	217.4±0.7	1/50	145	190	670	14.5	0.75
<input type="checkbox"/>	300x75	12x3	356	288	319.8±0.8	1/50	185	75	106	77	89.6±0.3	1/49	64	172	520	16.0	0.6
<input type="checkbox"/>	300x100	12x4	356	288	319.8±0.8	1/50	185	81	134	102	114.7±0.3	1/56	84	173	532	16.0	0.6
<input type="checkbox"/>	300x150*	12x6	356	288	319.8±0.8	1/50	185	190	189	146	166.0±0.4	1/63	132	429	750	16.0	0.6
<input type="checkbox"/>	300x200*	12x8	356	288	319.8±0.8	1/50	185	225	243	196	217.4±0.7	1/50	145	454	820	16.0	0.6
<input type="checkbox"/>	300x250	12x10	356	288	319.8±0.8	1/50	185	190	300	242	268.6±0.7	1/50	175	217	750	16.0	0.6

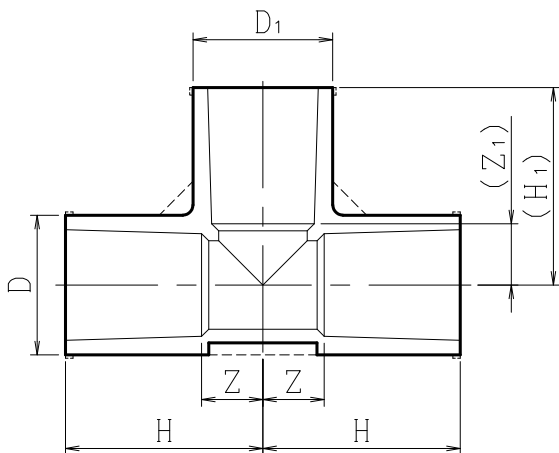
Remarks) *With Bushing

Material

- Esloclean
- HI-PVC
- U-PVC

Eslon Fittings Reducing Tee 200~300A		DWG No. RT200TTE
SEKISUI SEKISUI CHEMICAL CO.,LTD.	Date	Approved by:
	2009.06.30	

Item	HT Clean Fittings Tee
------	--------------------------



Designated Size	Nominal Diameter A	D	D1	H	H1	Z	Z1
□	※16X 16	31	—	38.5	—	13	12.5
□	※20X 16	36	31	48.5	40	13	14.5
□	※20X 20	36	—	50.5	50	15	14.5
□	※25X 16	42	31	53.5	43.5	13.5	18.5
□	※25X 20	42	36	55.5	51	15.5	16
□	※25X 25	42	—	58.5	58	18	17.5
□	※30X 16	48	31	54	47.5	13.5	22
□	※30X 20	48	36	56	57.5	15.5	22
□	※30X 25	48	42	58.5	62.5	18	22
□	※30X 30	48	—	63	62	23	22
□	※40X 16	58	31	61.5	53	16	27.5
□	※40X 20	58	36	63.5	63.5	18	28
□	※40X 25	58	42	66	68	20.5	27.5
□	※40X 30	58	48	70	68	24.5	27.5
□	※40X 40	58	—	73.5	73	28	27.5
□	※50X 16	70	31	68.5	60	18	34.5
□	※50X 20	70	36	70.5	70	20	34.5
□	※50X 25	70	42	73	75	22.5	34.5
□	※50X 30	70	48	77	75	26.5	34.5
□	※50X 40	70	58	80	80	29.5	34.5
□	※50X 50	70	—	85.5	85	35	34.5
□	65X 65	87	—	113.5	113.5	43	43
□	75X 75	102	—	123.5	123.5	50.5	50.5
□	100X 100	130	—	155.5	155.5	63	63
□	125X 125	157	—	188	188	83	83
□	150X 150	186	—	230	230	98	98

※JIS K6777

Item	HT Clean Fittings Tee	DWG No.
		FT25ATTT(E)
SEKISUI CHEMICAL CO.,LTD.	Date	Approved by:
	2009.09.08	