

No.	Part Name	Q'TY	Material/Type
1	Body	1	PVC
2	Diaphragm Stopper	1	
3	Piston	1	
4	TS Socket	2	
5	Union Nut	2	
6	O-Ring	1	□EPDM
7	O-Ring	2	□FKM
8	Diaphragm	1	PTFE
9	Spring	1	SUS304
10	Spring	1	SUS304
11	Housing	1	PPS-GF
12	Hexagon Socket Head Cap Screws	4	SUS304
13	Hexagon Nut	4	SUS304
14	Rubber Cap	8	EPDM
15	O-Ring	3	EPDM
16	Indicator Cover	1	PC
17	O-Ring	1	EPDM
18	Indicator	1	PVC
19	O-Ring	1	EPDM

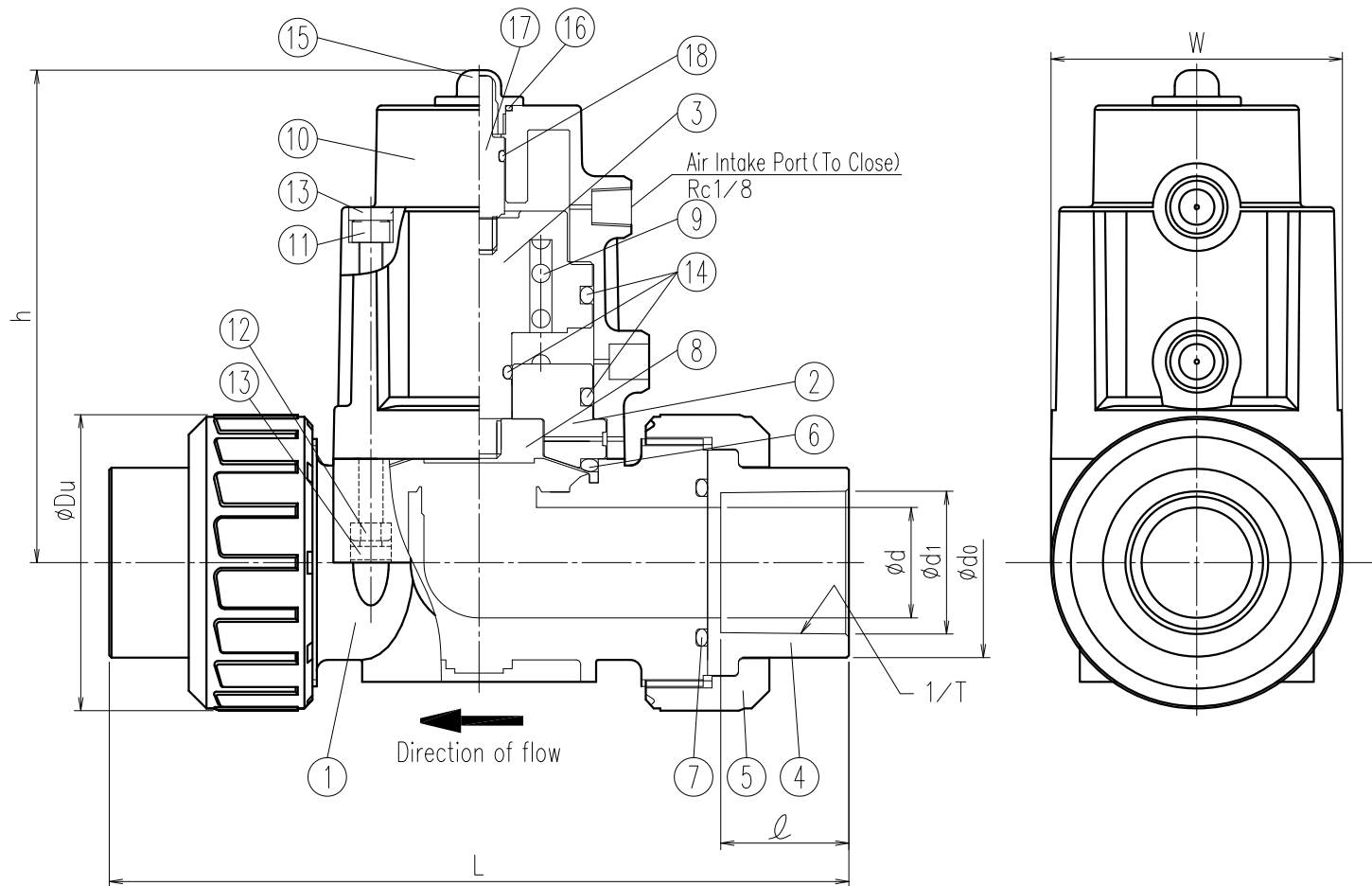
Dimension Table

Unit: mm

SIZE	A(B)	ød	L	ødo	TS Socket						h	øDu	W	Weight kg/unit (ref.)		
					JIS10K			ASTM							DIN	
					ød ₁	1/T	ℓ	ød ₁	1/T	ℓ					ød ₁	ℓ
□ 15(1/2)	15	145±3.0	30	22.3	1/37	22	21.54	1/72	22.2	20	16	113	54	66	0.7	
□ 20(3/4)	20	149±3.0	35	26.3	1/42	25	26.87	1/85	25.4	25	19	113	54	66	0.7	
□ 25(1)	25	168±3.0	43	32.3	1/44	29	33.65	1/75	28.6	32	22	113	67	66	0.8	
□ 32(1-1/4)	31	242±3.0	53	38.4	1/37	32	-	-	-	-	-	149	87	97	2.3	
□ 40(1-1/2)	40	238±3.0	61	48.5	1/38	35	48.56	1/78	34.9	50	31	149	87	97	2.3	
□ 50(2)	51	275±3.0	76	60.6	1/34	38	63.63	1/83	38.1	63	38	200	107	117	4.1	
□ 65(2-1/2)	65	321±3.0	90	76.6	1/38	45	73.38	1/84	44.5	75	45	246	128	149	8.4	

Note) Socket dimension is in accordance with the following standard;
JIS:JIS K6743,ASTM:ASTM D2467 and DIN8063 Part3

Client name		Date
Socket Standard <input type="checkbox"/> JIS10K <input type="checkbox"/> ANSI <input type="checkbox"/> DIN		Approved by:
Oil Free <input type="checkbox"/> YES		
ESLON Air Operation Valve Single Action (Air To Open) TS Socket/ 15A-65A (Indicator)		
Drawing No. AOAR1565TE-0001		14
SEKISUI SEKISUI CHEMICAL CO.,LTD.		



No.	Part Name	Q'TY	Material/Type
1	Body	1	PVC
2	Diaphragm Stopper	1	
3	Piston	1	
4	TS Socket	2	
5	Union Nut	2	
6	O-Ring	1	□EPDM
7	O-Ring	2	□FKM
8	Diaphragm	1	PTFE
9	Spring	1	SUS304
10	Housing	1	PPS-GF
11	Hexagon Socket Head Cap Screws	4	SUS304
12	Hexagon Nut	4	SUS304
13	Rubber Cap	8	EPDM
14	O-Ring	3	EPDM
15	Indicator Cover	1	PC
16	O-Ring	1	EPDM
17	Indicator	1	PVC
18	O-Ring	1	EPDM

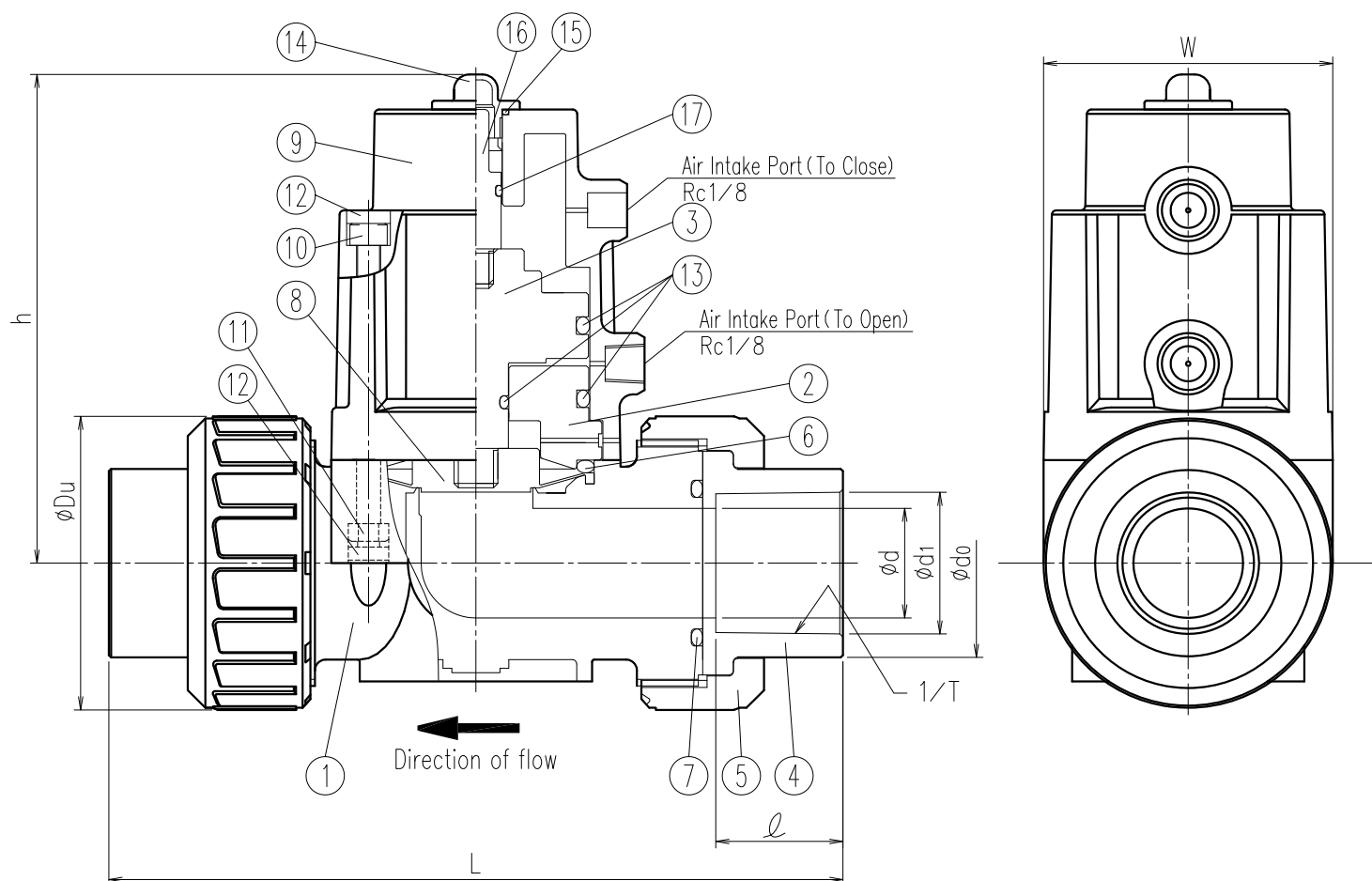
Dimension Table

Unit: mm

SIZE	A (B)	φd	L	φdo	TS Socket							h	φDu	W	Weight kg/unit (ref.)
					JIS10K			ASTM			DIN				
					φd ₁	1/T	ℓ	φd ₁	1/T	ℓ	φd ₁				
□ 15 (1/2)	15	145±3.0	30	22.3	1/37	22	21.54	1/72	22.2	20	16	113	54	66	0.6
□ 20 (3/4)	20	149±3.0	35	26.3	1/42	25	26.87	1/85	25.4	25	19	113	54	66	0.6
□ 25 (1)	25	168±3.0	43	32.3	1/44	29	33.65	1/75	28.6	32	22	113	67	66	0.8
□ 32 (1-1/4)	31	242±3.0	53	38.4	1/37	32	-	-	-	-	-	149	87	97	2.1
□ 40 (1-1/2)	40	238±3.0	61	48.5	1/38	35	48.56	1/78	34.9	50	31	149	87	97	2.1
□ 50 (2)	51	275±3.0	76	60.6	1/34	38	63.63	1/83	38.1	63	38	200	107	117	3.6
□ 65 (2-1/2)	65	321±3.0	90	76.6	1/38	45	73.38	1/84	44.5	75	45	246	128	149	6.6

Note) Socket dimension is in accordance with the following standard;
JIS:JIS K6743,ASTM:ASTM D2467 and DIN8063 Part3

Client name		Date
Socket Standard	<input type="checkbox"/> JIS10K <input type="checkbox"/> ANSI <input type="checkbox"/> DIN	Approved by:
Oil Free	<input type="checkbox"/> YES	
ESILON Air Operation Valve Single Action (Air to Close) TS Socket 15A-65A (Indicator)		
Drawing No. AOAN1565TE-0001		
SEKISUI SEKISUI CHEMICAL CO.,LTD.		



No.	Part Name	Q'TY	Material/Type
1	Body	1	PVC
2	Diaphragm Stopper	1	
3	Piston	1	
4	TS Socket	2	
5	Union Nut	2	
6	O-Ring	1	□EPDM
7	O-Ring	2	□FKM
8	Diaphragm	1	PTFE
9	Housing	1	PPS-GF
10	Hexagon Socket Head Cap Screws	4	SUS304
11	Hexagon Nut	4	SUS304
12	Rubber Cap	8	EPDM
13	O-Ring	3	EPDM
14	Indicator Cover	1	PC
15	O-Ring	1	EPDM
16	Indicator	1	PVC
17	O-Ring	1	EPDM

Dimension Table

Unit: mm

SIZE	A (B)	φd	L	φdo	TS Socket						h	φDu	W	Weight kg/unit (ref.)		
					TS Socket			ASTM							DIN	
					φd ₁	1/T	ℓ	φd ₁	1/1	ℓ					φd ₁	ℓ
□ 15 (1/2)	15	145±3.0	30	22.3	1/37	22	21.54	1/72	22.2	20	16	113	54	66	0.6	
□ 20 (3/4)	20	149±3.0	35	26.3	1/42	25	26.87	1/85	25.4	25	19	113	54	66	0.6	
□ 25 (1)	25	168±3.0	43	32.3	1/44	29	33.65	1/75	28.6	32	22	113	67	66	0.7	
□ 32 (1-1/4)	31	242±3.0	53	38.4	1/37	32	-	-	-	-	-	149	87	97	1.9	
□ 40 (1-1/2)	40	238±3.0	61	48.5	1/38	35	48.56	1/78	34.9	50	31	149	87	97	1.9	
□ 50 (2)	51	275±3.0	76	60.6	1/34	38	63.63	1/83	38.1	63	38	200	107	117	3.3	
□ 65 (2-1/2)	65	321±3.0	90	76.6	1/38	45	73.38	1/84	44.5	75	45	246	128	149	6.0	

Note) Socket dimension is in accordance with the following standard;
 JIS:JIS K6743,ASTM:ASTM D2467 and DIN8063 Part3

Client name		Date
Socket Standard	<input type="checkbox"/> JIS10K <input type="checkbox"/> ANSI <input type="checkbox"/> DIN	Approved by:
Oil Free	<input type="checkbox"/> YES	

ESLON Air Operation Valve
 Double Action/TS Socket 15-65A
 (Indicator)

Drawing No. | AOAD1565TE-0001 14

SEKISUI SEKISUI CHEMICAL CO.,LTD.