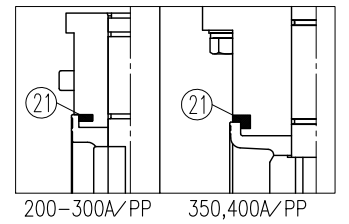


No.	Part Name	QTY	Material/Type
1	Body	1	<input type="checkbox"/> PVC <input type="checkbox"/> PP <input type="checkbox"/> PVDF
2	Disc	1	<input type="checkbox"/> PP <input type="checkbox"/> PVDF
3	Shaft	1	<input type="checkbox"/> SUS420J2 <input type="checkbox"/> SUS316
4	Seat Ring	1	<input type="checkbox"/> EPDM
5	O-Ring	1	<input type="checkbox"/> FKM
6	O-Ring	2	
7	Lower Cap	1	PP
8	Cylinder	1	AL6063
9	Yoke	1	STKR+Plating
10	Connector	1	SUS303
11	Hexagon Bolt	8	SUS304
12	Washer	12	SUS304
13	Spring Washer	8	SUS304
14	Hexagon Nut	4	SUS304
15	Shaft	1	SCM435
16	Cover	2	AL12
17	Adjust Bolt	2	SUS304
18	Cover Bolt	8	SUS304
19	Cylinder Ventilation Plug	1	C3601:Cr Plating
20	Shaft Cover	1	PA+PE
21	Reinforced Ring (200-400A Body:PP)	2	S45C+Plating



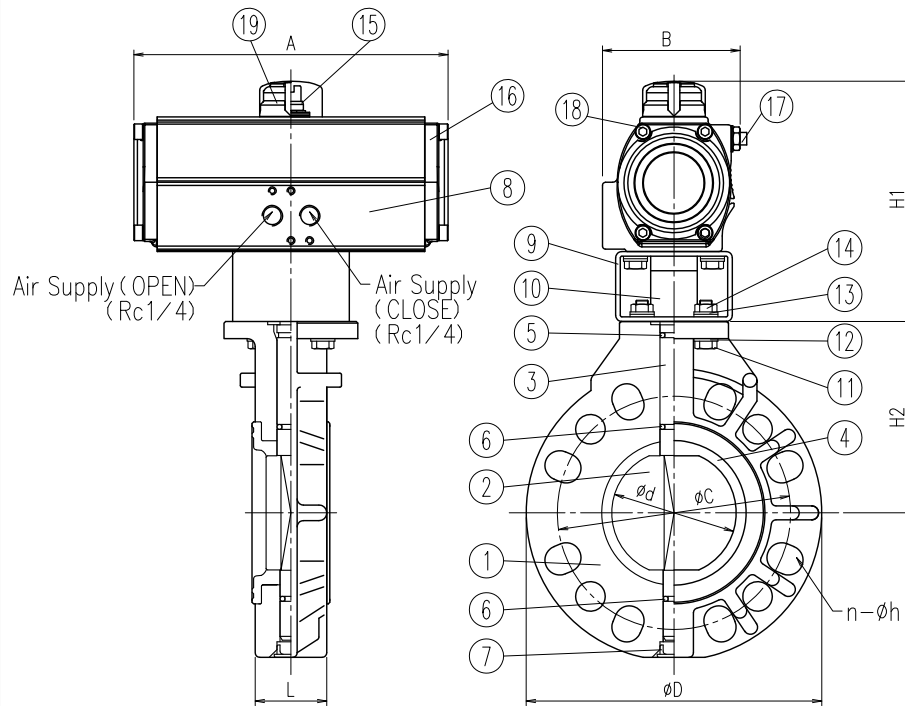
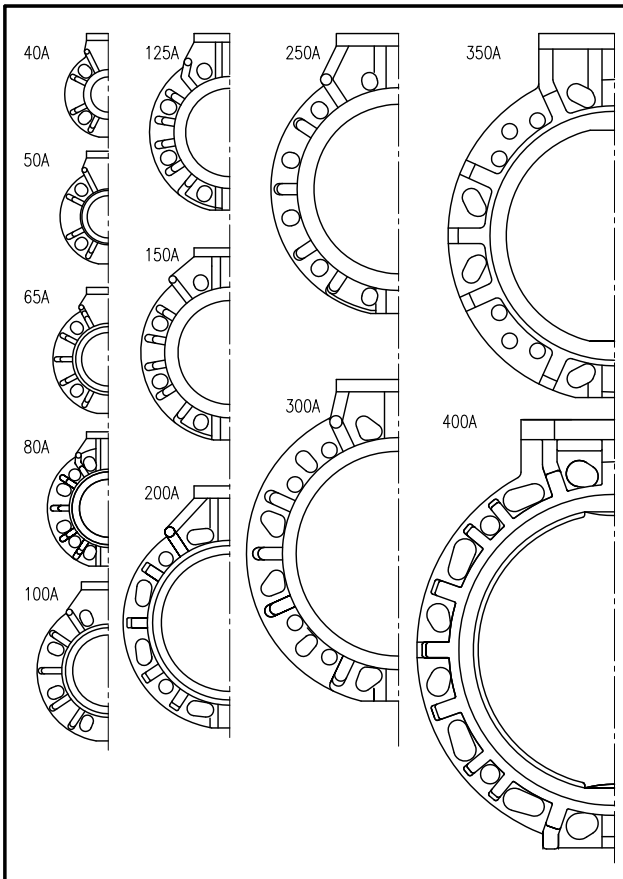
Dimension Table

Unit: mm

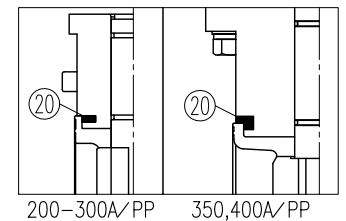
SIZE	A (B)	φd	L	φD			FLANGE						H1	H2			A	B	Actuator Type
				PVC	PP	PVDF	JIS10K		ANSI		DIN			PVC	PP	PVDF			
							φC	n-φh	φC	n-φh	φC	n-φh							
<input type="checkbox"/> 40 (1.1/2)	45	33±1.5	140	138	136	105	4-19	99	4-16	110	4-18	138	105	103	102	257	75	AS50	
<input type="checkbox"/> 50 (2)	57	43±1.5	155	152	150	120	4-19	121	4-19	125	4-18	155	112	110	109	314	89	AS65	
<input type="checkbox"/> 65 (2 1/2)	71	46±1.5	178	174	174	140	4-19	140	4-19	145	4-18	155	123	121	119	314	89	AS65	
<input type="checkbox"/> 80 (3)	80	46±1.5	196	192	190	150	8-19	153	4-19	160	8-18	174	130	127	126	430	101	AS80	
<input type="checkbox"/> 100 (4)	100	52±1.5	229	225	223	175	8-19	191	8-19	180	8-18	197	152	149	147	500	129	AS100	
<input type="checkbox"/> 125 (5)	125	56±1.5	254	249	251	210	8-23	216	8-22	210	8-18	253	169	166	164	606	151	AS125	
<input type="checkbox"/> 150 (6)	150	60±1.5	286	280	278	240	8-23	242	8-22	240	8-22	271	178	174	173	682	164	AS140	
<input type="checkbox"/> 200 (8)	198	71±1.5	343	336	331	290	12-23	299	8-22	295	8-22	298	230	225	223	781	188	AS160	
<input type="checkbox"/> 250 (10)	246	73±1.5	410	402	397	355	12-25	362	12-25	350	12-22	323	250	245	243	781	188	AS160	
<input type="checkbox"/> 300 (12)	299	114±1.5	485	477	474	400	16-25	432	12-25	400	12-22	323	280	274	272	781	188	AS160	
<input type="checkbox"/> 350 (14)	348	129±1.5	535	535	535	445	16-25	476	12-29	460	16-22	387	325	325	325	982	231	AS210	
<input type="checkbox"/> 400 (16)	406	169±1.5	597	597	597	510	16-27	540	16-29	515	16-26	387	350	350	350	982	231	AS210	

Note) Bolt hole dimension is in accordance with the following standard;
 JIS B 2220 for JIS10K, ANSI B16.5 for ANSI, DIN EN 1092-1 PN10 for DIN

Client name		Date
Flange Standard	<input type="checkbox"/> JIS10K <input type="checkbox"/> ANSI <input type="checkbox"/> DIN	Approved by:
Operation Type	<input type="checkbox"/> Air To Open (Fail Close) <input type="checkbox"/> Air To Close (Fail Open)	
Rinsed	<input type="checkbox"/> YES	
ESLON Pneumatic Butterfly Valve Type-S (A-series) Single Action/ 40 (1.1/2") - 400 (16")		
Drawing No. BFSAS404HFXE		
SEKISUI SEKISUI CHEMICAL CO.,LTD.		



No.	Part Name	Q'TY	Material/Type
1	Body	1	<input type="checkbox"/> PVC <input type="checkbox"/> PP <input type="checkbox"/> PVDF
2	Disc	1	<input type="checkbox"/> PP <input type="checkbox"/> PVDF
3	Shaft	1	<input type="checkbox"/> SUS420J2 <input type="checkbox"/> SUS316
4	Seat Ring	1	
5	O-Ring	1	<input type="checkbox"/> EPDM
6	O-Ring	2	<input type="checkbox"/> FKM
7	Lower Cap	1	PP
8	Cylinder	1	AL6063
9	Yoke	1	STKR+Plating
10	Connector	1	SUS303
11	Hexagon Bolt	8	SUS304
12	Washer	12	SUS304
13	Spring Washer	8	SUS304
14	Hexagon Nut	4	SUS304
15	Shaft	1	SCM435
16	Cover	2	AL12
17	Adjust Bolt	2	SUS304
18	Cover Bolt	8	SUS304
19	Shaft Cover	1	PA+PE
20	Reinforced Ring (200-400A Body:PP)	2	S45C+Plating



Dimension Table

Unit: mm

SIZE	A(B)	ϕd	L	ϕD			FLANGE						H1	H2			A	B	Actuator TYPE
				PVC	PP	PVDF	JIS10K		ANSI		DIN			PVC	PP	PVDF			
							ϕC	n- ϕh	ϕC	n- ϕh	ϕC	n- ϕh							
<input type="checkbox"/> 40 (1-1/2)	45	33±1.5	140	138	136	105	4-19	98.5	4-16	110	4-18	138	105	103	102	162	75	AD50	
<input type="checkbox"/> 50 (2)	57	43±1.5	155	152	150	120	4-19	120.5	4-19	125	4-18	138	112	110	109	162	75	AD50	
<input type="checkbox"/> 65 (2 1/2)	71	46±1.5	178	174	174	140	4-19	139.5	4-19	145	4-18	138	123	121	119	162	75	AD50	
<input type="checkbox"/> 80 (3)	80	46±1.5	196	192	190	150	8-19	152.5	4-19	160	8-18	155	130	127	126	202	89	AD65	
<input type="checkbox"/> 100 (4)	100	52±1.5	229	225	223	175	8-19	190.5	8-19	180	8-18	175	152	149	147	262	101	AD80	
<input type="checkbox"/> 125 (5)	125	56±1.5	254	249	251	210	8-23	216.0	8-22	210	8-18	228	169	166	164	311	129	AD100	
<input type="checkbox"/> 150 (6)	150	60±1.5	286	280	278	240	8-23	241.5	8-22	240	8-22	252	178	174	173	390	151	AD125	
<input type="checkbox"/> 200 (8)	198	71±1.5	343	336	331	290	12-23	298.5	8-22	295	8-22	252	230	225	223	390	151	AD125	
<input type="checkbox"/> 250 (10)	246	73±1.5	410	402	397	355	12-25	362.0	12-25	350	12-22	277	250	245	243	390	151	AD125	
<input type="checkbox"/> 300 (12)	299	114±1.5	485	477	474	400	16-25	432.0	12-25	400	12-22	295	280	274	272	431	164	AD140	
<input type="checkbox"/> 350 (14)	348	129±1.5	535	535	535	445	16-25	476.2	12-29	460	16-22	323	325	325	325	506	188	AD160	
<input type="checkbox"/> 400 (16)	406	169±1.5	597	597	597	510	16-27	540.0	16-29	515	16-26	323	350	350	350	506	188	AD160	

Note) Bolt hole dimension is in accordance with the following standard;
JIS B 2220 for JIS10K, ANSI B16.5 for ANSI, DIN EN 1092-1 PN10 for DIN

Client name		Date
Flange Standard	<input type="checkbox"/> JIS10K <input type="checkbox"/> ANSI <input type="checkbox"/> DIN	Approved by:
Rinsed	<input type="checkbox"/> YES	
ESLON Pneumatic Butterfly Valve Type-S (A-series) Double Action/40 (1-1/2") - 400 (16")		
Drawing No. BFSAD404HFxE		
SEKISUI SEKISUI CHEMICAL CO.,LTD.		