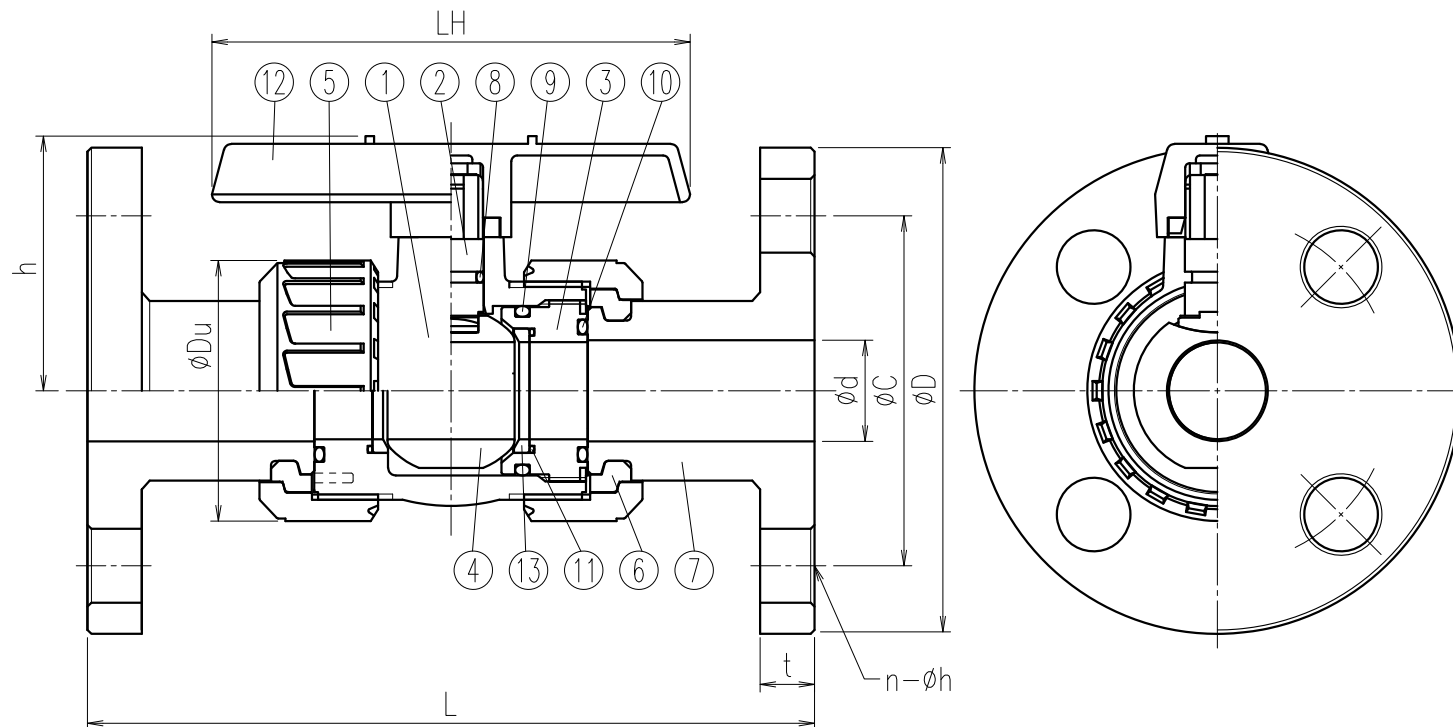


No.	Part Name	Q'TY	Material/Color
1	Body	1	□PVC
2	Stem	1	□HT (JIS: Brown)
3	Ball holder	1	□CPVC
4	Ball	1	(ANSI-DIN: Gray)
5	Union nut	2	□PP
6	Set ring	2	□PVDF
7	Flange	2	
8	Stem O-ring	15-32A	1
		40,50A	2
9	Ball holder O-ring	1	□EPDM
10	Union O-ring	2	□FKM
11	Ball seat O-ring	2	
12	Handle	1	ABS
13	Ball Seat	2	PTFE



Dimension Table

Unit: mm

Size	A(B)	ød	L	Flange												h	øDu	LH
				JIS10K				ANSI				DIN						
				øD	øC	n-øh	t	øD	øC	n-øh	t	øD	øC	n-øh	t			
□ 15 (1/2)	15	143±1.5	95	70	4-15	14	89.0	60.5	4-16	11.5	95	65	4-14	11	50	49	95	
□ 20 (3/4)	20	172±1.5	100	75	4-15	14	98.0	70.0	4-16	13.0	105	75	4-14	12	53	59	95	
□ 25 (1)	25	187±1.5	125	90	4-19	14	108.0	79.5	4-16	14.5	115	85	4-14	14	66	67	123	
□ 32 (1·1/4)	32	190±1.5	135	100	4-19	16	117.5	89.0	4-16	16.0	140	100	4-18	15	74	81	123	
□ 40 (1·1/2)	40	212±1.5	140	105	4-19	16	127.0	98.5	4-16	17.5	150	110	4-18	16	100	98	152	
□ 50 (2)	50	234±1.5	155	120	4-19	20	152.0	120.5	4-19	19.5	165	125	4-18	18	107	120	152	

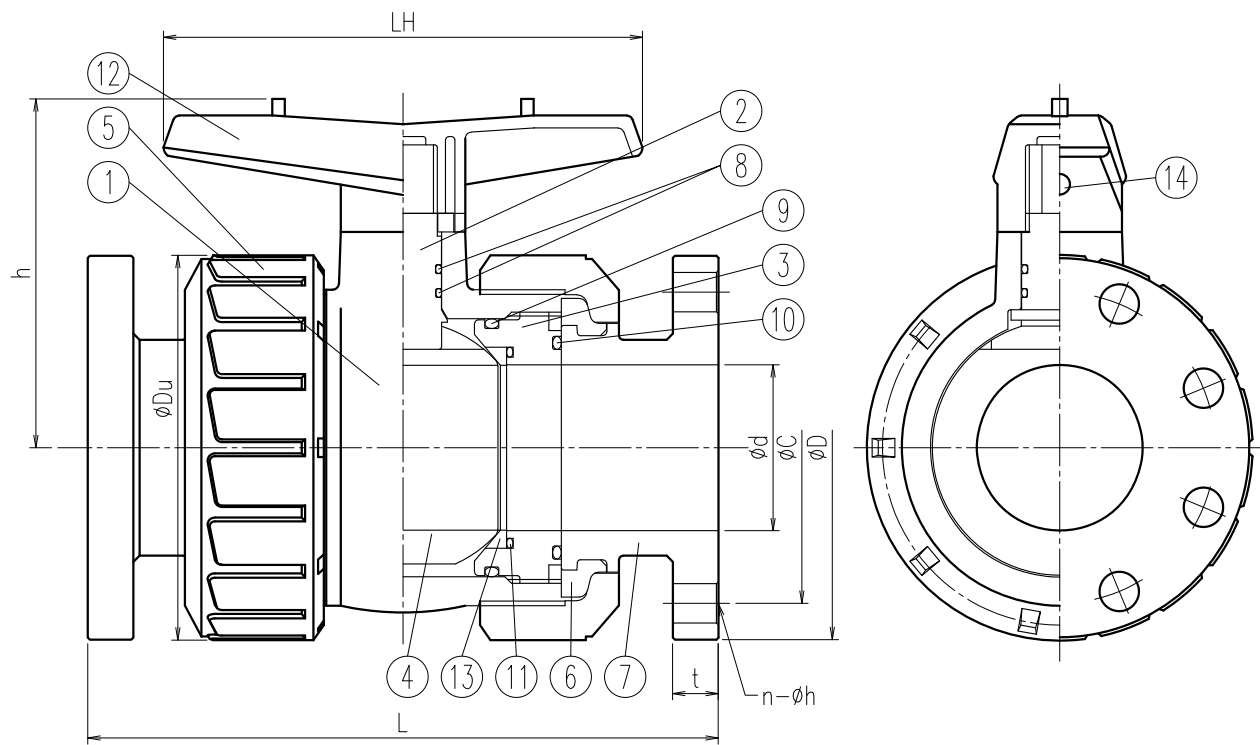
Note) Flange dimension is in accordance with the following standard; JIS B2220, ASME/ANSI B16.5, DIN EN 1092-1

Client name		Date
Handle Color	<input type="checkbox"/> Orange <input type="checkbox"/> Blue <input type="checkbox"/> Green <input type="checkbox"/> Ivory <input type="checkbox"/> White <input type="checkbox"/> Yellow	Approved by:
Flange Standard	<input type="checkbox"/> JIS10K <input type="checkbox"/> ANSI <input type="checkbox"/> DIN	
Oil Free	<input type="checkbox"/> YES	

ESLON Ball Valve
Flange Type 15 (1/2") -50 (2")

Drawing No. | BV1550FXE

SEKISUI SEKISUI CHEMICAL CO.,LTD.



No.	Part Name	Q'TY	Material/Color
1	Body	1	□PVC
2	Stem	1	□HT (JIS: Brown)
3	Ball holder	2	□CPVC
4	Ball	1	(ANSI-DIN: Gray)
5	Union nut	2	□PP
6	Set ring	2	□PVDF
7	Flange	2	
8	Stem O-ring	2	
9	Ball holder O-ring	2	□EPDM
10	Union O-ring	2	□FKM
11	Ball seat O-ring	2	
12	Handle	1	ABS
13	Ball Seat	2	PTFE
14	Screw	1	SUS304

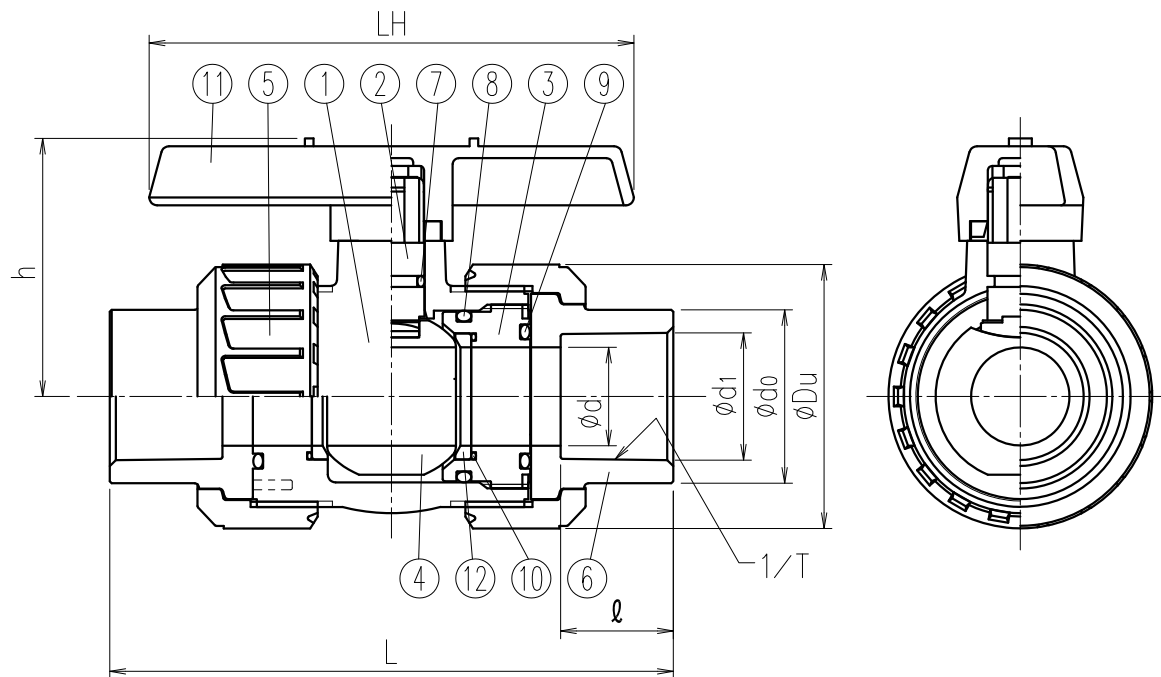
Dimension Table

Unit: mm

Size	A(B)	φd	L		Flange												h	φDu	LH
					JIS10K				ANSI				DIN						
					φD	φC	n-φh	t	φD	φC	n-φh	t	φD	φC	n-φh	t			
□ 65 (2 1/2)	65	259±1.5	257±1.5	175	140	4-19	22	178	139.5	4-20	22.5	185	145	4-18	22	146	150	188	
□ 80 (3)	80	304±1.5	301±1.5	185	150	8-19	22	191	152.5	4-20	24.0	200	160	8-18	23	169	186	230	
□ 100 (4)	100	372±1.5	367±1.5	210	175	8-19	24	229	190.5	8-20	24.0	220	180	8-18	23	203	228	283	

Note) Flange dimension is in accordance with the following standard; JIS B2220, ASME/ANSI B16.5, DIN EN 1092-1

Client name		Date
Flange Standard	<input type="checkbox"/> JIS10K <input type="checkbox"/> ANSI <input type="checkbox"/> DIN	Approved by:
Oil Free	<input type="checkbox"/> YES	
ESLON Ball Valve Flange Type 65 (2 1/2") - 100 (4")		
Drawing No. BV651HFXE		
SEKISUI SEKISUI CHEMICAL CO.,LTD.		



No.	Part Name	Q'TY	Material/Color
1	Body	1	
2	Stem	1	□PVC
3	Ball holder	1	□HT (JIS: Brown)
4	Ball	1	□CPVC
5	Union nut	2	(ASTM·DIN: Gray)
6	Socket	2	
7	Stem O-ring	15-32A 40-50A	1 2
8	Ball holder O-ring	1	□EPDM
9	Union O-ring	2	□FKM
10	Ball seat O-ring	2	
11	Handle	1	ABS
12	Ball Seat	2	PTFE

Dimension Table

Unit: mm

Size	A(B)	ϕd	TS Socket																h	ϕDu	LH		
			L						JIS				ASTM				DIN						
			JIS	ASTM	DIN	$\phi d1$	1/T	l	ϕdo	$\phi d1$	1/T	l	ϕdo	$\phi d1$	1/T	l	ϕdo						
□ 15 (1/2)	15	109±3.0	103±3.0	92±3.0	22.3	1/37	22	33	21.54	1/72	22.22	33	20.3	1/65	16	33	50	49	95				
□ 20 (3/4)	20	132±3.0	119±3.0	107±3.0	26.3	1/42	25	35	26.87	1/85	25.40	35	25.3	1/80	19	35	53	59	95				
□ 25 (1)	25	143±3.0	133±3.0	121±3.0	32.3	1/43	29	44	33.65	1/75	28.58	44	32.3	1/95	22	44	66	67	123				
□ 32 (1·1/4)	32	166±3.0	147±3.0	137±3.0	38.4	1/37	32	54	42.42	1/84	31.75	54	40.3	1/115	26	54	74	81	123				
□ 40 (1·1/2)	40	175±3.0	171±3.0	161±3.0	48.5	1/38	35	66	48.56	1/78	34.93	66	50.3	1/140	31	66	100	98	152				
□ 50 (2)	50	203±3.0	188±3.0	189±3.0	60.6	1/34	38	77	60.63	1/83	38.10	77	63.3	1/175	38	77	107	120	152				

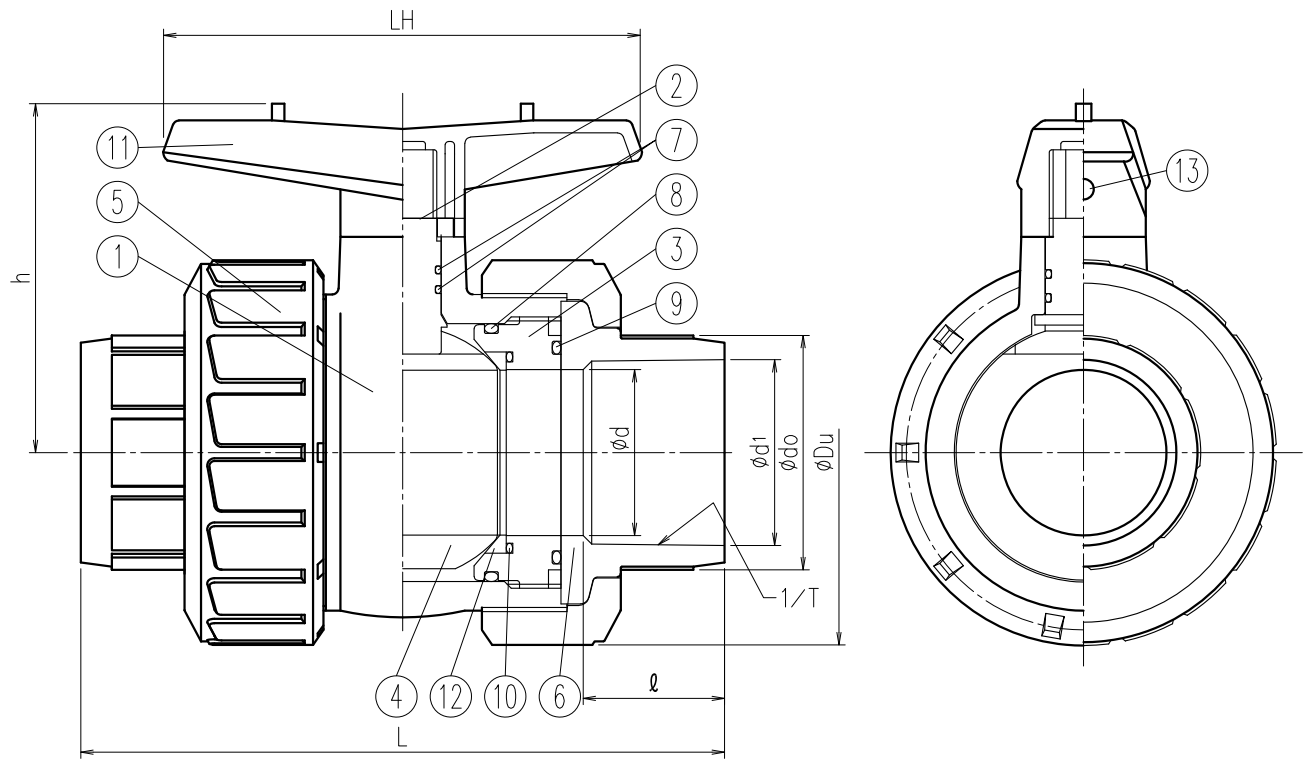
Note) Socket dimension is in accordance with the following standard; ASTM D2467, DIN8063

Client name		Date
Handle Color	<input type="checkbox"/> Orange <input type="checkbox"/> Blue <input type="checkbox"/> Green <input type="checkbox"/> Ivory <input type="checkbox"/> White <input type="checkbox"/> Yellow	Approved by:
Socket Standard	<input type="checkbox"/> JIS <input type="checkbox"/> ASTM <input type="checkbox"/> DIN	
Oil Free	<input type="checkbox"/> YES	

ESILON Ball Valve
Socket 15 (1/2") - 50 (2")

Drawing No. | BV1550SXE

SEKISUI SEKISUI CHEMICAL CO.,LTD.



No.	Part Name	Q'TY	Material/Color
1	Body	1	
2	Stem	1	□PVC
3	Ball holder	2	□HT (JIS: Brown)
4	Ball	1	□CPVC
5	Union nut	2	(ASTM·DIN: Gray)
6	Socket	2	
7	Stem O-ring	2	
8	Ball holder O-ring	2	□EPDM
9	Union O-ring	2	□FKM
10	Ball seat O-ring	2	
11	Handle	1	ABS
12	Ball Seat	2	PTFE
13	Screw	1	SUS304

Dimension Table

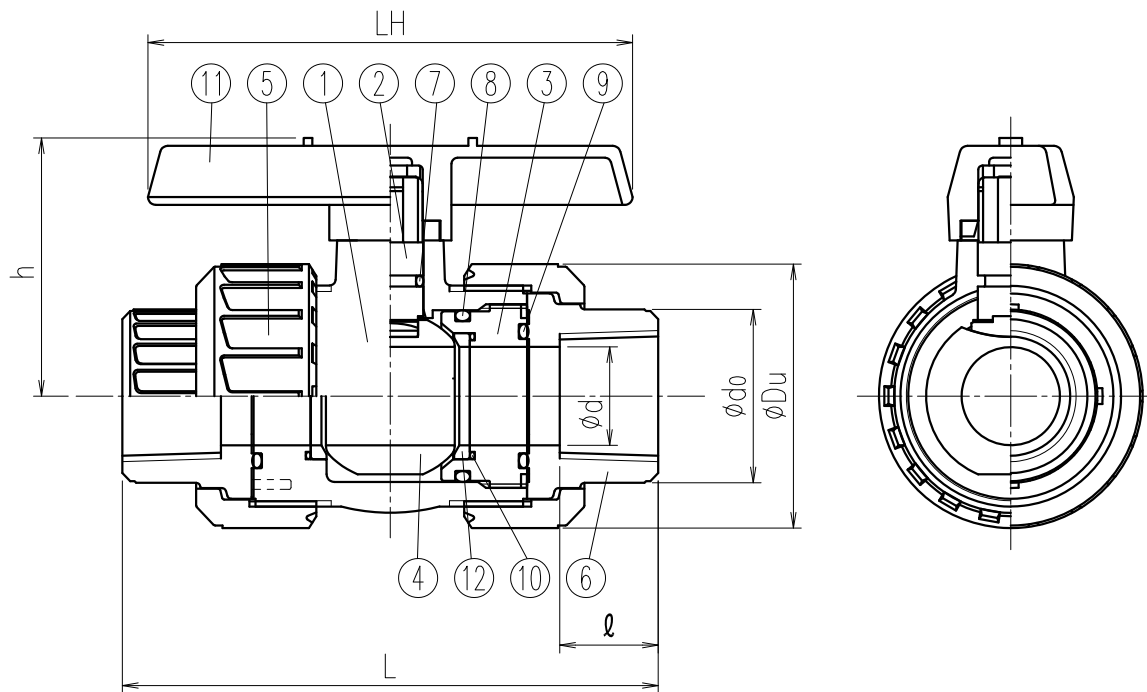
Unit: mm

Size	A(B)	ϕd	L			TS Socket																h	ϕDu	LH
						JIS				ASTM				DIN										
			JIS	ASTM	DIN	$\phi d1$	1/T	ℓ	ϕdo	$\phi d1$	1/T	ℓ	ϕdo	$\phi d1$	1/T	ℓ	ϕdo							
□ 65 (2 1/2)	65	259±3.0	211±3.0	211±3.0	76.6	1/48	61	96	73.38	1/84	44.45	96	75.3	1/220	44	96	146	150	188					
□ 80 (3)	80	311±3.0	262±3.0	263±3.0	89.6	1/49	64	113	89.31	1/78	47.63	113	90.3	1/255	51	113	169	186	230					
□ 100 (4)	100	390±3.0	315±3.0	315±3.0	114.7	1/56	84	144	114.76	1/87	57.15	144	110.4	1/203	61	144	203	228	283					

Note) Socket dimension is in accordance with the following standard; ASTM D2467, DIN8063

Client name			Date
Socket Standard	<input type="checkbox"/> JIS	<input type="checkbox"/> ASTM	<input type="checkbox"/> DIN
Oil Free	<input type="checkbox"/> YES		
			Approved by:

ESLON Ball Valve
 Socket 65 (2 1/2") - 100 (4")
 Drawing No. BV651HSXE
SEKISUI SEKISUI CHEMICAL CO.,LTD.



No.	Part Name	Q'TY	Material/Type
1	Body	1	
2	Stem	1	
3	Ball holder	1	<input type="checkbox"/> PVC
4	Ball	1	<input type="checkbox"/> PVDF
5	Union nut	2	
6	Thread	2	
7	Stem O-ring	15-32A: 1 40-50A: 2	
8	Ball holder O-ring	1	<input type="checkbox"/> EPDM
9	Union O-ring	2	<input type="checkbox"/> FKM
10	Ball seat O-ring	2	
11	Handle	1	ABS
12	Ball Seat	2	PTFE

Dimension Table

Unit: mm

Size	A (B)	ød	L		l		Thread			ødo	h	øDu	LH
							JIS,DIN	ANSI	DIN				
			PVC	PVDF	PVC	PVDF	Rc	NPT	Rp				
<input type="checkbox"/> 15 (1/2)	15	97±3.0	99±3.0	18	20	1/2	1/2	1/2	30	50	49	95	
<input type="checkbox"/> 20 (3/4)	20	117±3.0	116±3.0	18	22	3/4	3/4	3/4	35	53	59	95	
<input type="checkbox"/> 25 (1)	25	128±3.0	136±3.0	23	24	1	1	1	44	66	67	123	
<input type="checkbox"/> 32 (1·1/4)	32	146±3.0	148±3.0	23	25	1·1/4	1·1/4	1·1/4	54	74	81	123	
<input type="checkbox"/> 40 (1·1/2)	40	163±3.0	169±3.0	25	28	1·1/2	1·1/2	1·1/2	65	100	98	152	
<input type="checkbox"/> 50 (2)	50	188±3.0	196±3.0	30	30	2	2	2	77	107	120	152	

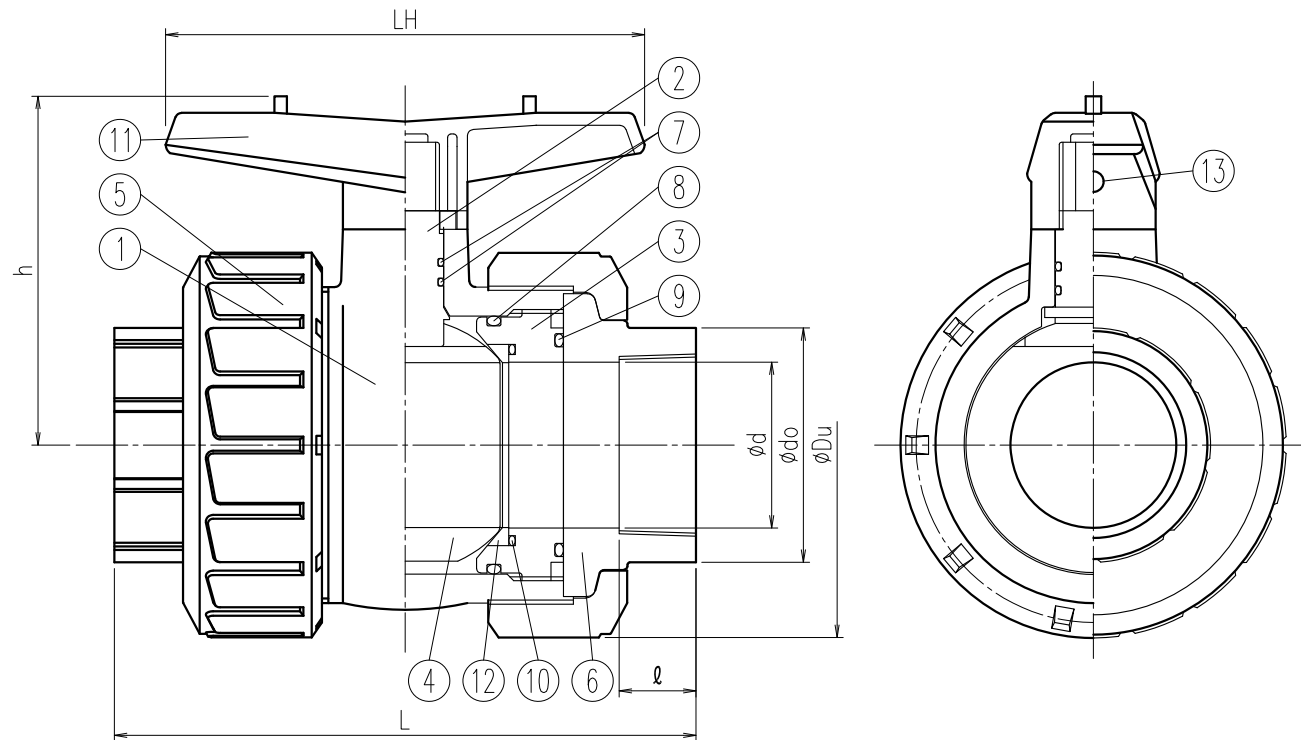
Note) Thread dimension is in accordance with the following standard; JIS B0203. ANSI B1.20.1. DIN2999

Client name		Date
Handle Color	<input type="checkbox"/> Orange <input type="checkbox"/> Blue <input type="checkbox"/> Green <input type="checkbox"/> Ivory <input type="checkbox"/> White <input type="checkbox"/> Yellow	Approved by:
Thread Standard	<input type="checkbox"/> Rc <input type="checkbox"/> NPT <input type="checkbox"/> Rp	
Oil Free	<input type="checkbox"/> YES	

ESLON Ball Valve
Thread 15 (1/2") - 50 (2")

Drawing No. | BV1550NXE

SEKISUI SEKISUI CHEMICAL CO.,LTD.



No.	Part Name	Q'TY	Material/Type
1	Body	1	
2	Stem	1	
3	Ball holder	2	□PVC
4	Ball	1	□PVDF
5	Union nut	2	
6	Thread	2	
7	Stem O-ring	2	
8	Ball holder O-ring	2	□EPDM
9	Union O-ring	2	□FKM
10	Ball seat O-ring	2	
11	Handle	1	ABS
12	Ball Seat	2	PTFE
13	Screw	1	SUS304

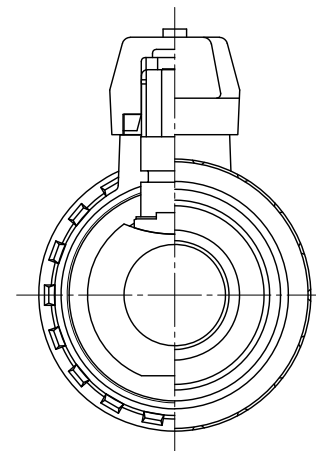
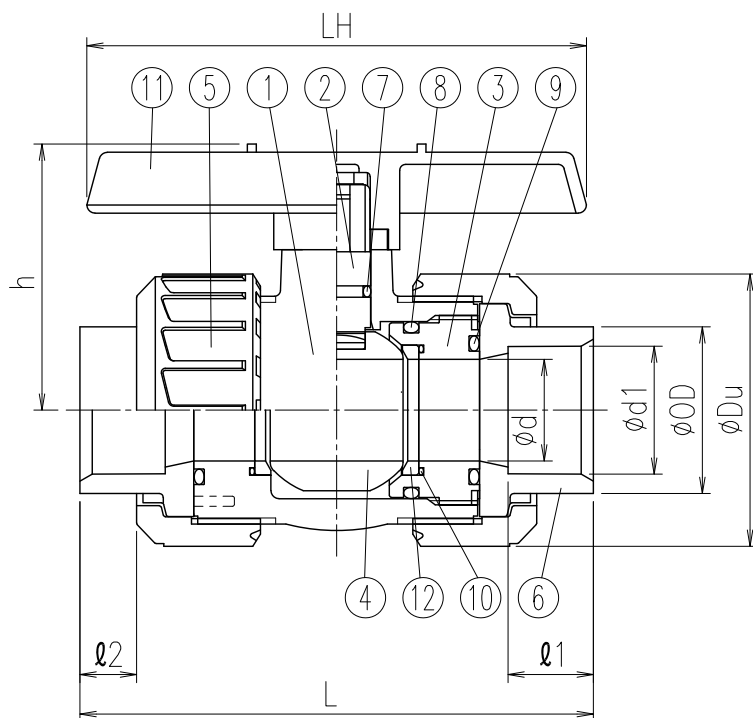
Dimension Table

Unit : mm

Size	A (B)	φd	Thread						ℓ	φdo	h	φDu	LH
			JIS (Rc) 、 DIN (Rc)		ANSI (NPT)		DIN (Rp)						
			Rc	L	NPT	L	Rp	L					
□ 65 (2 1/2)	65	2-1/2	227±3.0	2-1/2	212±3.0	2-1/2	212±3.0	32	96	146	150	188	
□ 80 (3)	80	3	278±3.0	3	261±3.0	3	261±3.0	37	113	169	186	230	
□ 100 (4)	100	4	330±3.0	4	315±3.0	4	315±3.0	45	144	203	228	283	

Note) Thread dimension is in accordance with the following standard; JIS B0203, ANSI B1.20.1, DIN2999

Client name			Date
Thread Standard	<input type="checkbox"/> Rc	<input type="checkbox"/> NPT	<input type="checkbox"/> Rp
Oil Free	<input type="checkbox"/> YES		Approved by:
ESLON Ball Valve Thread 65 (2 1/2") - 100 (4")			
Drawing No. BV651HNXE			
SEKISUI SEKISUI CHEMICAL CO.,LTD.			



No.	Part Name	Q'TY	Material/Color	
1	Body	1	PP	
2	Stem	1		
3	Ball holder	1		
4	Ball	1		
5	Union nut	2		
6	Socket	2		
7	Stem O-ring	15-32A 40-50A	1 2	□EPDM □FKM
8	Ball holder O-ring	1	1	
9	Union O-ring	2	2	
10	Ball seat O-ring	2	2	
11	Handle	1	ABS	
12	Ball Seat	2	PTFE	

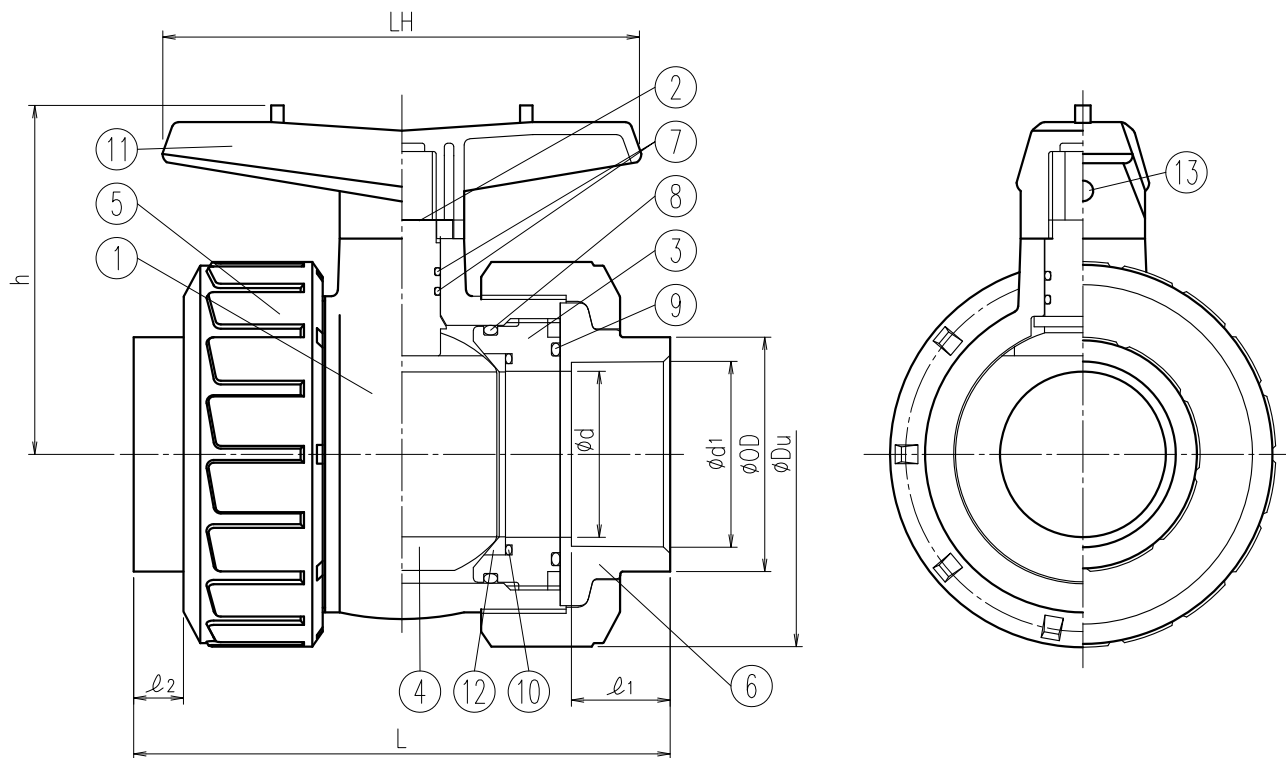
Dimension Table

Unit: mm

Size	A(B)	ød	L	Socket				h	øDu	LH
				ød1	ℓ1	ℓ2	øOD			
□ 15(1/2)	15	103±3.0	19.5	17.5	12.0	27	50	48	95	
□ 20(3/4)	20	114±3.0	24.5	19.0	13.0	33	53	59	95	
□ 25(1)	25	126±3.0	31.5	21.0	14.5	41	66	65	123	
□ 32(1·1/4)	32	141±3.0	39.4	23.5	18.0	50	74	80	123	
□ 40(1·1/2)	40	162±3.0	49.4	26.5	16.0	61	100	96	152	
□ 50(2)	50	185±3.0	62.5	30.5	20.0	76	107	119	152	

Client name		Date
Handle Color	□Orange □Blue □Green	Approved by:
	□Ivory □White □Yellow	
Oil Free	□YES	

ESLON	
Ball Valve Socket Weiling 15-50A	
Drawing No.	BV1550PXE
SEKISUI SEKISUI CHEMICAL CO.,LTD.	



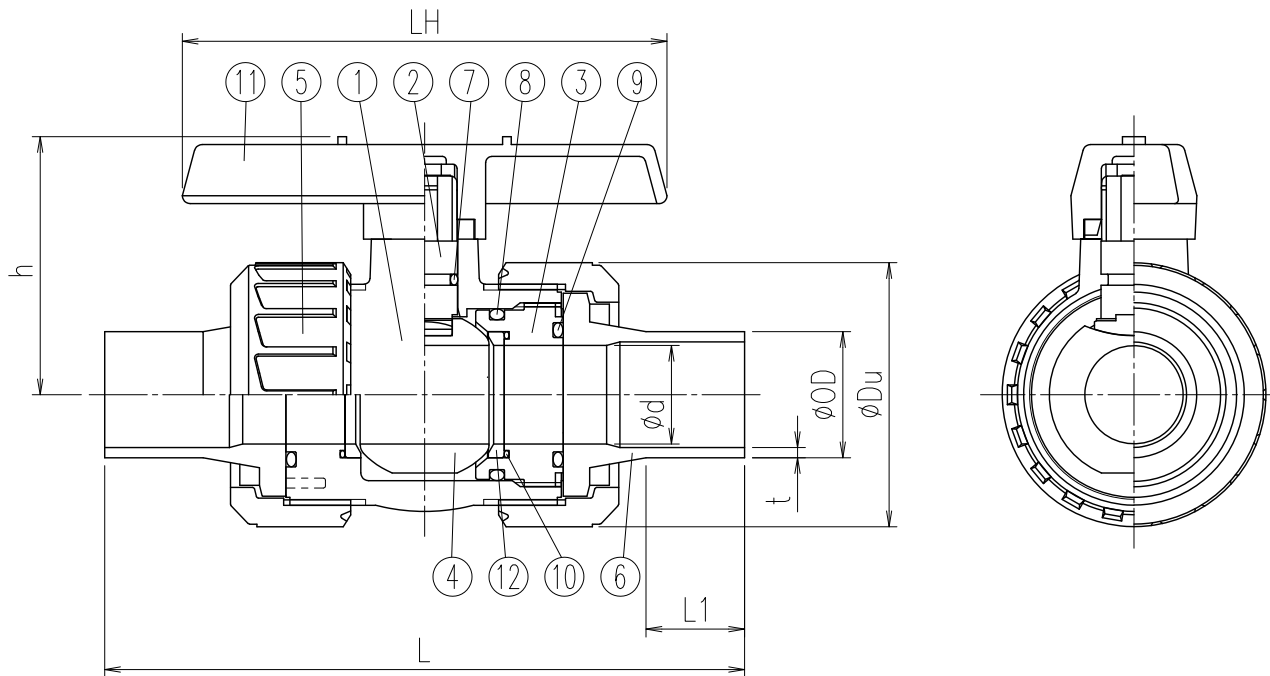
No.	Part Name	Q'TY	Material
1	Body	1	PP
2	Stem	1	
3	Ball holder	2	
4	Ball	1	
5	Union nut	2	□EPDM □FKM
6	Socket	2	
7	Stem O-ring	2	
8	Ball holder O-ring	2	
9	Union O-ring	2	□EPDM □FKM
10	Ball seat O-ring	2	
11	Handle	1	ABS
12	Ball Seat	2	PTFE
13	Screw	1	SUS304

Dimension Table

Unit: mm

Size	A(B)	ϕd	L	Socket				h	ϕDu	LH
				$\phi d1$	$l1$	$l2$	ϕOD			
□ 65 (2 1/2)	65	65	204±3.0	74.9	34	21.0	90	146	150	188
□ 80 (3)	80	80	264±3.0	89.9	37	26.5	108	169	186	230
□ 100 (4)	100	100	317±3.0	110.0	41	31.5	131	203	228	283

Client name		Date
Oil Free	<input type="checkbox"/> YES	Approved by:
ESLON		
Ball Valve Socket Welding 65-100A		
Drawing No.	BV651HPXE	
SEKISUI SEKISUI CHEMICAL CO.,LTD.		



No.	Part Name	Q'TY	Material/Color	
1	Body	1		
2	Stem	1		
3	Ball holder	1		<input type="checkbox"/> PP
4	Ball	1		<input type="checkbox"/> PVDF
5	Union nut	2	<input type="checkbox"/> EPDM <input type="checkbox"/> FKM	
6	Butt Spigot	2		
7	Stem O-ring	15-32A: 1 40-50A: 2		
8	Ball holder O-ring	1		
9	Union O-ring	2		
10	Ball seat O-ring	2		
11	Handle	1	ABS	
12	Ball Seat	2	PTFE	

Dimension Table

Unit: mm

Size	A(B)	ϕd	L	Socket						h	ϕDu	LH
				PP			PVDF					
				L1	ϕOD	t	L1	ϕOD	t			
<input type="checkbox"/> 15(1/2)	15	15	143±3.0	30	20	1.9	30	20	1.9	50	48	95
<input type="checkbox"/> 20(3/4)	20	20	152±3.0	24	25	2.3	24	25	1.9	53	59	95
<input type="checkbox"/> 25(1)	25	25	161±3.0	24	32	2.9	24	32	2.4	66	65	123
<input type="checkbox"/> 32(1·1/4)	32	32	167±3.0	25	40	3.7	25	40	2.4	74	80	123
<input type="checkbox"/> 40(1·1/2)	40	40	190±3.0	24	50	4.6	24	50	3.0	100	96	152
<input type="checkbox"/> 50(2)	50	50	216±3.0	28	63	5.8	28	63	3.0	107	119	152

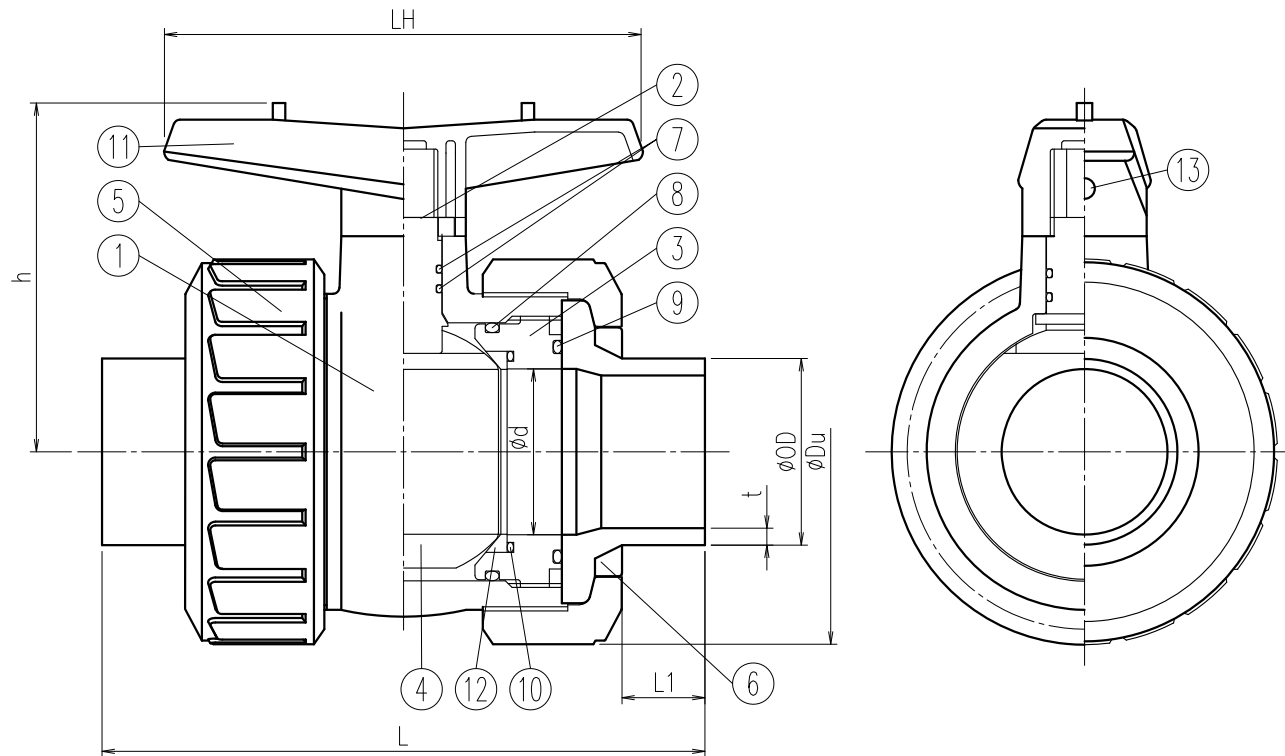
Note) Butt Spigot dimension is in accordance with the following standard;
PP: DIN8077/PVDF: ISO10931

Client name		Date
Handle Color	<input type="checkbox"/> Orange <input type="checkbox"/> Blue <input type="checkbox"/> Green	Approved by:
	<input type="checkbox"/> Ivory <input type="checkbox"/> White <input type="checkbox"/> Yellow	
Oil Free	<input type="checkbox"/> YES	

ESLON
Ball Valve Butt Spigot 15-50A

Drawing No. BV1550BXE

SEKISUI SEKISUI CHEMICAL CO., LTD.



No.	Part Name	Q'TY	Material
1	Body	1	
2	Stem	1	
3	Ball holder	2	□PP
4	Ball	1	□PVDF
5	Union nut	2	
6	Butt Spigot	2	
7	Stem O-ring	2	
8	Ball holder O-ring	2	□EPDM
9	Union O-ring	2	□FKM
10	Ball seat O-ring	2	
11	Handle	1	ABS
12	Ball Seat	2	PTFE
13	Screw	1	SUS304

Dimension Table

Unit: mm

Size	A(B)	ϕd	L	Socket						h	ϕDu	LH
				PP			PVDF					
				L1	ϕOD	t	L1	ϕOD	t			
□ 65 (2 1/2)	65	208±3.0	23	75	6.8	23	75	3.6	146	150	188	
□ 80 (3)	80	301±3.0	45	90	8.2	45	90	4.3	169	186	230	
□ 100 (4)	100	340±3.0	43	110	10.0	43	110	5.3	203	228	283	

Note) Butt Spigot dimension is in accordance with the following standard;
PP: DIN8077/PVDF: ISO10931

Client name		Date
Oil Free	<input type="checkbox"/> YES	Approved by:
ESLON		
Ball Valve Butt Spigot 65-100A		
Drawing No.	BV651HBXE	
SEKISUI SEKISUI CHEMICAL CO., LTD.		