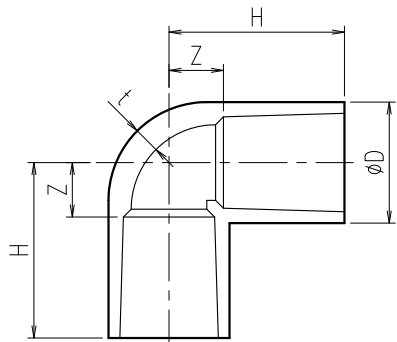
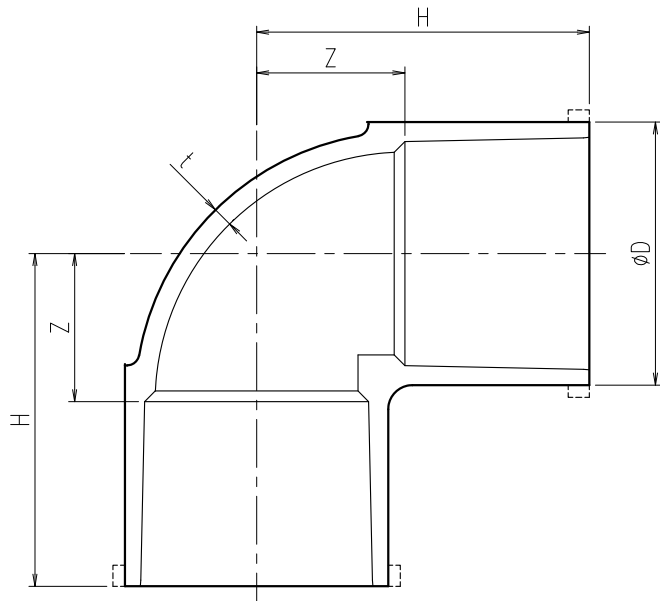


ESLON Clean Fittings
Elbow



13~50mm



65~150mm

Dimension Table

Unit:mm

	Size	øD	H	t	Z
□	13 (3/8)	24	36	3.0	10
□	16 (1/2)	29	43	3.5	13
□	20 (3/4)	33	52	3.5	15
□	25 (1)	40	60	4.0	18
□	30 (1·1/4)	46	67	4.0	21
□	40 (1·1/2)	57	82	4.5	27
□	50 (2)	70	99	5.0	33
□	65 (2·1/2)	87	110	6.6	49
□	75 (3)	106	125	8.0	56
□	100 (4)	134	155	10.0	71
□	125 (5)	157	187	11.0	83
□	150 (6)	189	229	13.0	98

ESLON Clean Fittings
Elbow

SEKISUI

SEKISUI CHEMICAL CO.,LTD.

Date

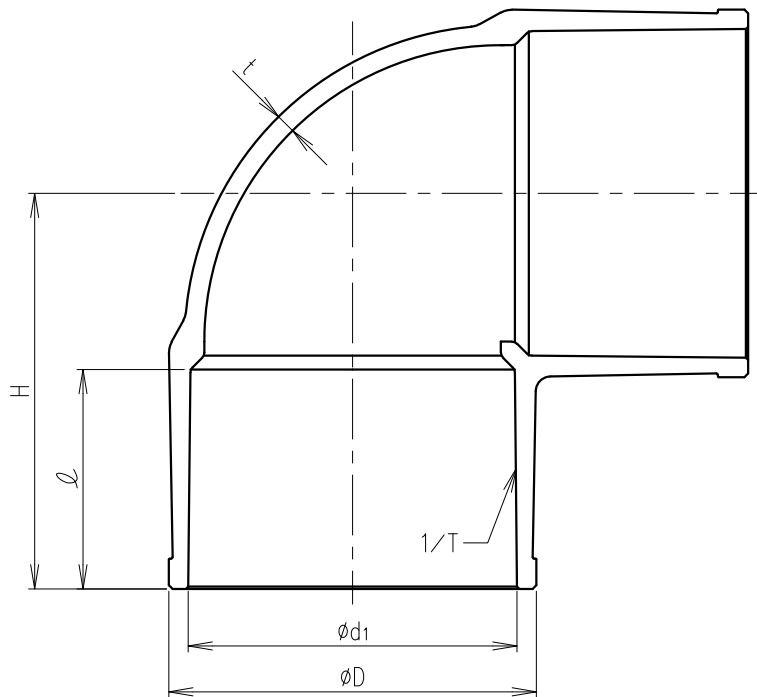
2010.06.08

DWG No.

FL25ATTVE

Approved by:

ESLON Fitting
90° Elbow 200-300A



Dimension Table

Unit:mm

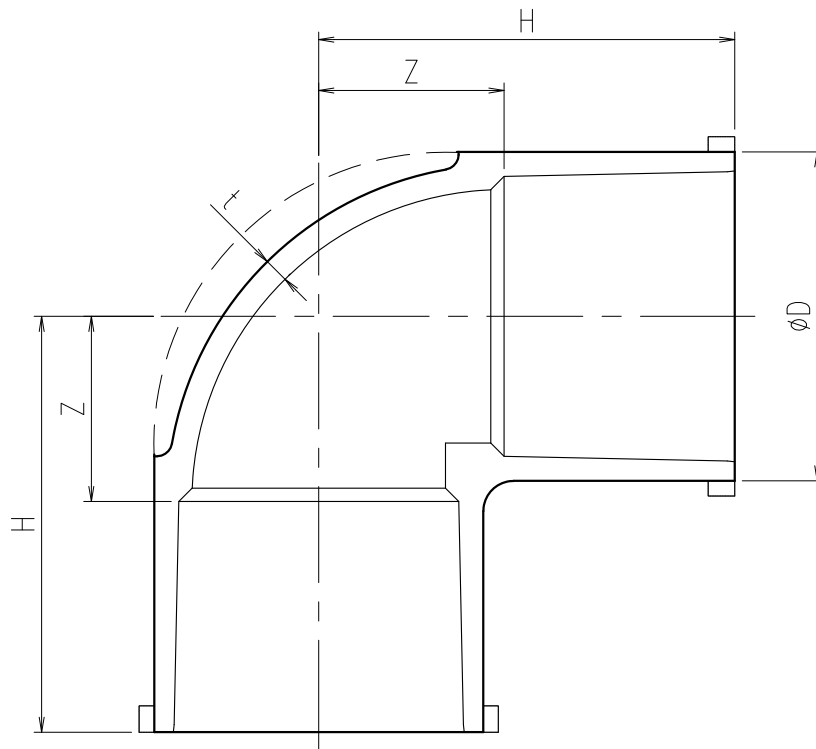
Size	A	ϕD	H	ϕd_1	1/T	l	t	Nominal pressure (MPa)
□	200	243	262	217.4 ± 0.7	1/50	145	13.0	0.75
□	250	300	318	268.6 ± 0.7	1/50	175	14.5	0.75
□	300	356	355	319.8 ± 0.8	1/50	185	16.0	0.60

Material

- Esloclean
- HI-PVC
- U-PVC

ESLON Fitting 90° Elbow 200-300A		DWG No.
		FLN200TVE
SEKISUI SEKISUI CHEMICAL CO.,LTD.	Date	Approved by:
	2010.10.27	

ESLON HT Clean Fittings
Elbow



Dimension Table

Unit:mm

	Size	φD	H	t	Z
□	16 (1/2) *	31	38.5	3.5	13.0
□	20 (3/4) *	36	50.0	3.5	15.0
□	25 (1) *	42	58.5	4.0	18.0
□	30 (1 · 1/4) *	48	63.0	4.0	22.5
□	40 (1 · 1/2) *	58	73.5	4.5	28.0
□	50 (2) *	70	85.5	5.0	35.0
□	65 (2 · 1/2)	87	112.5	6.6	43.5
□	75 (3)	102	124.0	8.0	45.5
□	100 (4)	130	155.0	10.0	60.0
□	125 (5)	157	189.0	11.0	83.0
□	150 (6)	186	229.0	13.0	96.0

* JIS K6777

ESLON HT Clean Fittings Elbow		DWG No.
		FL25ATTTE
SEKISUI SEKISUI CHEMICAL CO.,LTD.	Date	Approved by:
	2009.09.08	