

| No. | Part Name | Q'TY | Material/Type | |
|-----|---------------------------|------------------|-----------------|---------------|
| 1 | Body | 1 | □PP □PVDF | |
| 2 | Stem | 1 | | |
| 3 | Ball holder | 1 | | |
| 4 | Ball | 1 | | |
| 5 | Union nut | 2 | | |
| 6 | Set ring | 2 | | |
| 7 | Flange | 2 | | |
| 8 | Stem O-ring* | 15-20A 25-50A | 1 | □EPDM □FKM |
| 9 | Ball holder O-ring | 1 | 1 | |
| 10 | Union O-ring | 2 | 2 | |
| 11 | Ball seat O-ring | 2 | 2 | |
| 12 | Ball Seat | 2 | PTFE | |
| 13 | Cylinder | 1 | AL6063 | |
| 14 | Connector | 1 | SUS304 | |
| 15 | Stud Bolt | 2 | SUS304 | |
| 16 | Hexagon Nut | 2 | SUS304 | |
| 17 | Spring Washer | 2 | SUS304 | |
| 18 | Washer | 2 | SUS304 | |
| 19 | Yoke | 1 | FRP | |
| 20 | Collar (Over 40A) | 1 | FRP | |
| 21 | Upper Mount | 1 | FRP | |
| 22 | Lower Mount | 1 | FRP | |
| 23 | Insert Nut | 2 | C3601 | |
| 24 | Shaft | 1 | SMC435 | |
| 25 | Cover | 2 | AL12 | |
| 26 | Adjust Bolt | 2 | SUS304 | |
| 27 | Cover Bolt | 8 | SUS304 | |
| 28 | Cylinder Ventilation Plug | 1 | C3601+Cr Coated | |
| 29 | Shaft Cover | 1 | PA+PE | |

* Stem O-Ring material will be FKM+PTFE in case of Oil Free.

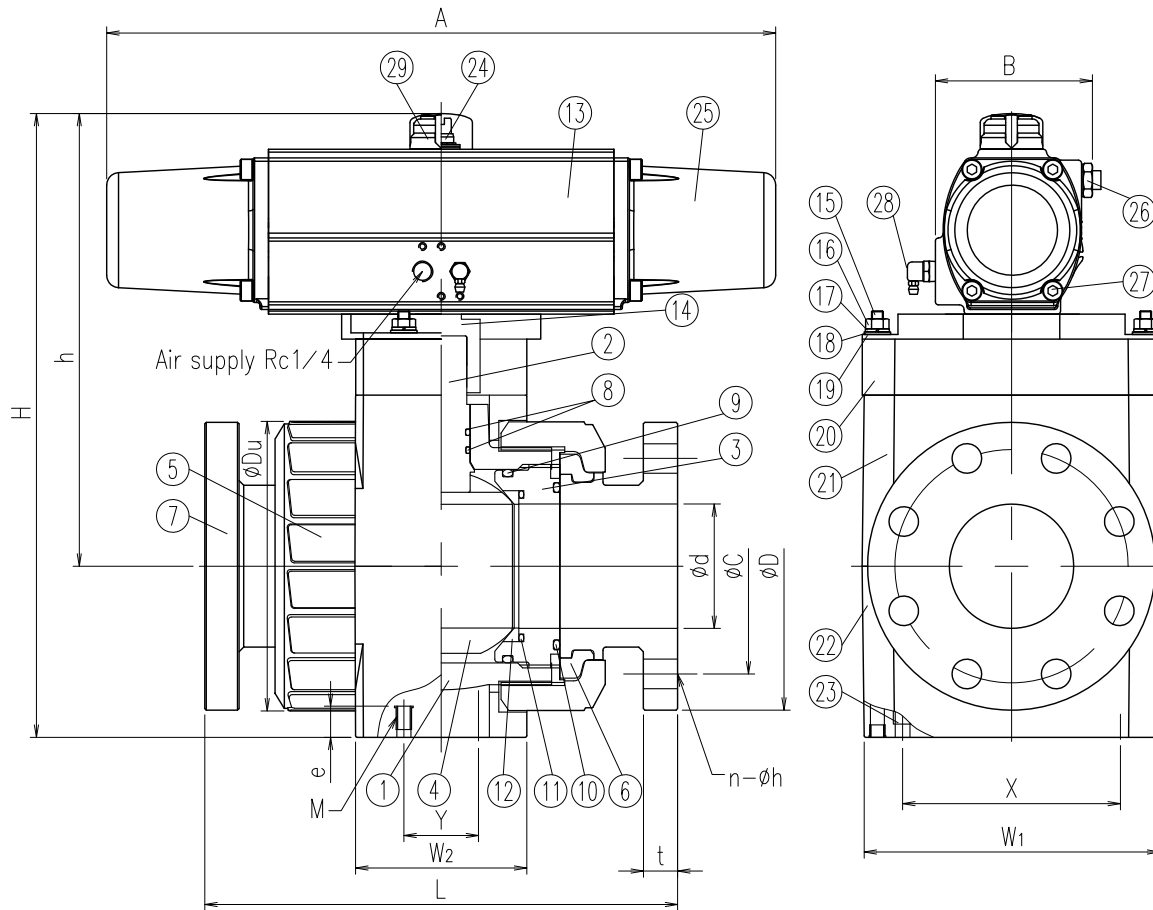
Dimension Table

Unit : mm

| Size | A (B) | ød | L | FLANGE | | | | | | | | | | | | H | h | øDu | A | B | W1 | W2 | Actuator Type | Fixing Insert Nut | |
|--------------|-------|---------|-----|--------|------|------|-------|-------|------|------|-----|-----|------|------|-----|-----|-----|-----|----|-----|----|------|---------------|-------------------|-----|
| | | | | JIS10K | | | | ANSI | | | | DIN | | | | | | | | | | | | X | Mxe |
| | | | | øD | øC | n-øh | t | øD | øC | n-øh | t | øD | øC | n-øh | t | | | | | | | | | | |
| □ 15 (1/2) | 15 | 143±1.5 | 95 | 70 | 4-15 | 14 | 89.0 | 60.5 | 4-16 | 11.5 | 95 | 65 | 4-14 | 11 | 204 | 155 | 49 | 133 | 75 | 92 | 50 | RS50 | 50 | M6x15 | |
| □ 20 (3/4) | 20 | 172±1.5 | 100 | 75 | 4-15 | 14 | 98.0 | 70.0 | 4-16 | 13.0 | 105 | 75 | 4-14 | 12 | 212 | 161 | 59 | 133 | 75 | 92 | 50 | RS50 | 50 | M6x15 | |
| □ 25 (1) | 25 | 187±1.5 | 125 | 90 | 4-19 | 14 | 108.0 | 79.5 | 4-16 | 14.5 | 115 | 85 | 4-14 | 14 | 237 | 173 | 67 | 133 | 75 | 92 | 50 | RS50 | 50 | M6x15 | |
| □ 32 (1·1/4) | 32 | 190±1.5 | 135 | 100 | 4-19 | 16 | 117.5 | 89.0 | 4-16 | 16.0 | 140 | 100 | 4-18 | 15 | 242 | 174 | 81 | 257 | 75 | 98 | 60 | AS50 | 55 | M6x15 | |
| □ 40 (1·1/2) | 40 | 212±1.5 | 140 | 105 | 4-19 | 16 | 127.0 | 98.5 | 4-16 | 17.5 | 150 | 110 | 4-18 | 16 | 261 | 190 | 98 | 257 | 75 | 117 | 70 | AS50 | 70 | M8x20 | |
| □ 50 (2) | 50 | 234±1.5 | 155 | 120 | 4-19 | 20 | 152.0 | 120.5 | 4-19 | 19.5 | 165 | 125 | 4-18 | 18 | 293 | 214 | 120 | 314 | 89 | 135 | 70 | AS65 | 85 | M8x20 | |

Note) 1. Flange dimension is in accordance with the following standard;
 JIS B 2220 for JIS10K, ANSI B16.5 for ANSI and DIN2501 PN10/PN16 (ISO7005 PN10) for DIN
 2. If a fixing insert bolt is used, it should not be screwed in beyond dimension e.

| | | |
|---|--|--------------|
| Client name | | Date |
| Flange Standard | □JIS10K □ANSI □DIN | Approved by: |
| Operation Type | □Air To Open (Fail Close) □Air To Close (Fail Open) | |
| Oil Free | □YES | |
| ESLON Pneumatic Ball Valve Type S (A-series) Single Action/Flange Type 15A-50A | | |
| Drawing No. BVSAS1550FE | | |
| SEKISUI SEKISUI CHEMICAL CO.,LTD. | | |



| No. | Part Name | Q'TY | Material/Type |
|-----|---------------------------|------|-----------------|
| 1 | Body | 1 | |
| 2 | Stem | 1 | |
| 3 | Ball Holder | 2 | □PP |
| 4 | Ball | 1 | □PVDF |
| 5 | Union Nut | 2 | |
| 6 | Set Ring | 2 | |
| 7 | Flange | 2 | |
| 8 | Stem O-Ring (※) | 2 | |
| 9 | Ball Holder O-Ring | 2 | □EPDM |
| 10 | Union O-Ring | 2 | □FKM |
| 11 | Ball Seat O-Ring | 2 | |
| 12 | Ball Seat | 2 | PTFE |
| 13 | Cylinder | 1 | AL6063 |
| 14 | Connector | 1 | SUS303 |
| 15 | Connector | 4 | SUS304 |
| 16 | Hexagonal Nut | 4 | SUS304 |
| 17 | Spring Washer | 4 | SUS304 |
| 18 | Washer | 4 | SUS304 |
| 19 | Yoke | 1 | SS400+Coated |
| 20 | Collar | 1 | FRP |
| 21 | Upper mount | 1 | FRP |
| 22 | Lower mount | 1 | FRP |
| 23 | Insert Nut | 4 | C3601 |
| 24 | Shaft | 1 | SCM435 |
| 25 | Cover | 2 | AL12 |
| 26 | Adjust Bolt | 2 | SUS304 |
| 27 | Cover Bolt | 8 | SUS304 |
| 28 | Cylinder Ventilation Plug | 1 | C3601+Cr Coated |
| 29 | Shaft Cover | 1 | PA+PE |

※ Stem O-Ring material will be FKM+PTFE in case of Oil Free.

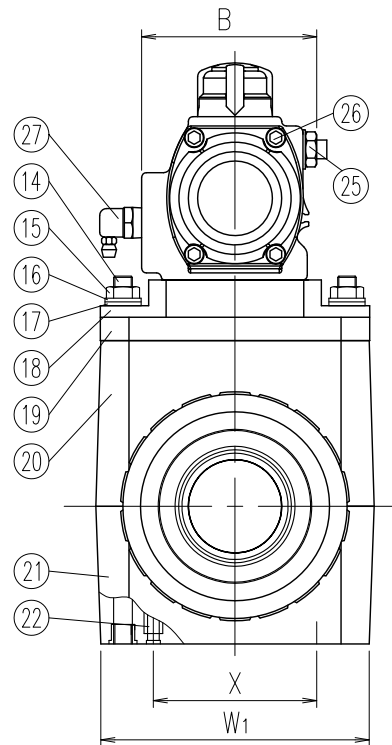
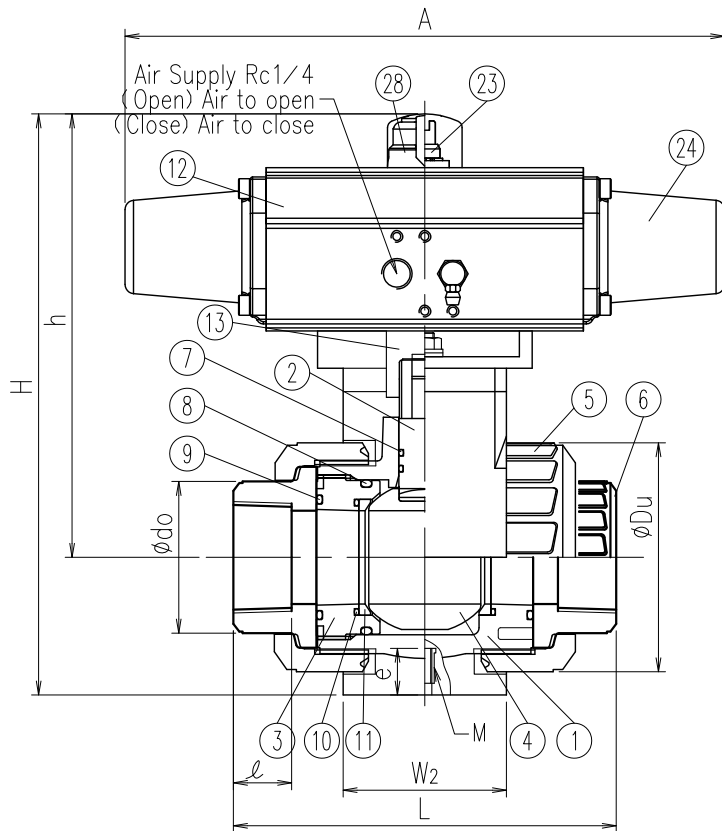
Dimension Table

Unit: mm

| Size | A (B) | ød | L | Flange | | | | | | | | | | | | H | h | øDu | A | B | W1 | W2 | Actuator Type | Fixing Insert Nut | | |
|--------------|-------|---------|-----|----------|------|----|------|-------|------|------|------|-----|------|----|------|-----|-----|-----|-----|-----|-----|-------|---------------|-------------------|-------|-----|
| | | | | JIS10K | | | | ANSI | | | | DIN | | | | | | | | | | | | X | Y | Mxe |
| | | | | PP, PVDF | øD | øC | n-øh | t | øD | øC | n-øh | t | øD | øC | n-øh | | | | | | | | | | | |
| □ 65 (2 1/2) | 65 | 257±1.5 | 175 | 140 | 4-19 | 22 | 178 | 139.7 | 4-20 | 22.5 | 185 | 145 | 4-18 | 22 | 353 | 265 | 150 | 430 | 101 | 163 | 90 | AS80 | 115 | 38 | M8x20 | |
| □ 80 (3) | 80 | 301±1.5 | 185 | 150 | 8-19 | 22 | 191 | 152.4 | 4-20 | 24.0 | 200 | 160 | 8-18 | 23 | 403 | 293 | 186 | 430 | 101 | 198 | 110 | AS80 | 140 | 48 | M8x20 | |
| □ 100 (4) | 100 | 367±1.5 | 210 | 175 | 8-19 | 24 | 229 | 190.5 | 8-20 | 24.0 | 220 | 180 | 8-18 | 23 | 487 | 347 | 233 | 500 | 129 | 240 | 110 | AS100 | 180 | 59 | M8x20 | |

Note) 1. Flange dimension is in accordance with the following standard;
 JIS B 2220 for JIS10K, ANSI B16.5 for ANSI and DIN EN 1092-1 PN10 for DIN
 2. If a fixing insert bolt is used, it should not be screwed in beyond dimension e.

| | | |
|--|--|--------------|
| Client name | | Date |
| Flange Standard | □JIS10K □ANSI □DIN | Approved by: |
| Operation Type | □Air To Open (Fail Close) □Air To Close (Fail Open) | |
| Oil Free | □YES | |
| ESLON Pneumatic Ball Valve Type S (A-series) Single Action/Flange Type 65A-100A | | |
| Drawing No. BVSAS651HFE | | |
| SEKISUI SEKISUI CHEMICAL CO.,LTD. | | |



| No. | Part Name | Q'ty | Material/Type | |
|-----|---------------------------|--------------------|-----------------|---------------|
| 1 | Body | 1 | ■PVDF | |
| 2 | Stem | 1 | | |
| 3 | Ball stopper | 1 | | |
| 4 | Ball | 1 | | |
| 5 | Union nut | 2 | | |
| 6 | Thread Socket | 2 | | |
| 7 | Stem O-ring | 15-20A * 25-50A | 1 2 | □EPDM □FKM |
| 8 | Ball stopper O-ring | 1 | | |
| 9 | Union O-ring | 2 | | |
| 10 | Ball seat O-ring | 2 | | |
| 11 | Ball seat | 2 | PTFE | |
| 12 | Cylinder | 1 | AL6063 | |
| 13 | Connector | 1 | SUS303 | |
| 14 | Stud bolt | 2 | SUS304 | |
| 15 | Hexagon nut | 2 | SUS304 | |
| 16 | Spring washer | 2 | SUS304 | |
| 17 | Washer | 2 | SUS304 | |
| 18 | Yoke | 1 | FRP | |
| 19 | Collar (40A, 50A) | 1 | FRP | |
| 20 | Upper mount | 1 | FRP | |
| 21 | Lower mount | 1 | FRP | |
| 22 | Insert nut | 2 | C3601 | |
| 23 | Shaft | 1 | SCM435 | |
| 24 | Cover | 2 | AL12 | |
| 25 | Adjust bolt | 2 | SUS304 | |
| 26 | Cover bolt | 8 | SUS304 | |
| 27 | Cylinder Ventilation Plug | 1 | C3601+Cr Coated | |
| 28 | Shaft cover | 1 | PA+PE | |

* Stem O-Ring material will be FKM+PTFE in case of Oil Free.

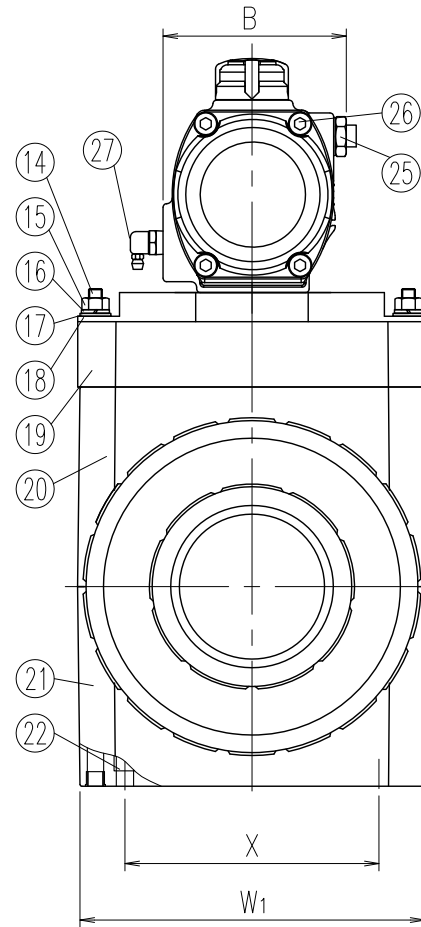
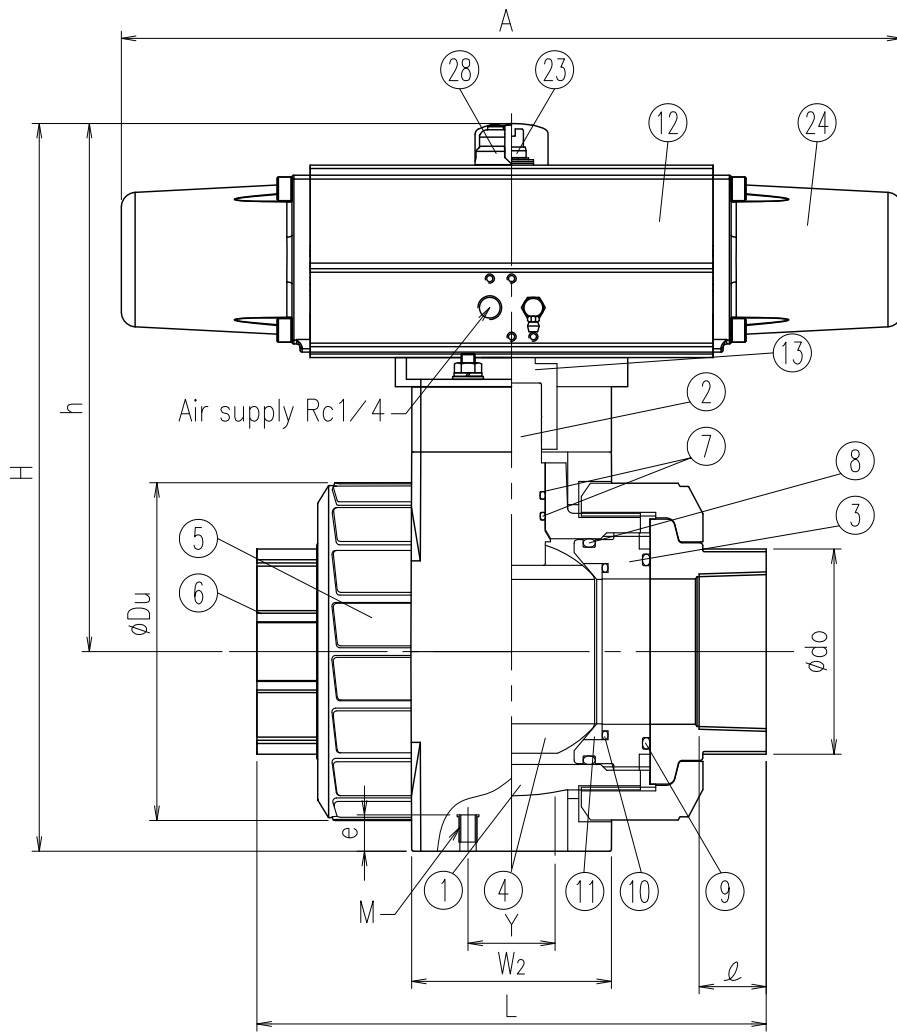
Dimension Table

Unit: mm

| Size | A (B) | ϕd | L | Thread | | | | | | ϕdo | H | h | ϕDu | A | B | W1 | W2 | Air Supply | Actuator Type | Fixing Insert Nut | |
|--------------|-------|----------|-------|-------------------|--------|------------|--------|----------|--------|-----------|-----|-----|-----------|----|-----|----|-------|------------|---------------|-------------------|-----|
| | | | | JIS (Rc) DIN (Rc) | | ANSI (NPT) | | DIN (Rp) | | | | | | | | | | | | X | Mxe |
| | | | | Rc | ℓ | NPT | ℓ | Rp | ℓ | | | | | | | | | | | | |
| □ 15 (1/2) | 15 | 99±3.0 | 1/2 | 20 | 1/2 | 20 | 1/2 | 20 | 30 | 184 | 155 | 49 | 133 | 75 | 92 | 50 | Rc1/4 | RS50 | 50 | M6x15 | |
| □ 20 (3/4) | 20 | 116±3.0 | 3/4 | 22 | 3/4 | 22 | 3/4 | 22 | 35 | 195 | 161 | 59 | 133 | 75 | 92 | 50 | Rc1/4 | RS50 | 50 | M6x15 | |
| □ 25 (1) | 25 | 136±3.0 | 1 | 24 | 1 | 24 | 1 | 24 | 44 | 212 | 173 | 67 | 133 | 75 | 92 | 50 | Rc1/4 | RS50 | 50 | M6x15 | |
| □ 32 (1·1/4) | 32 | 148±3.0 | 1·1/4 | 25 | 1·1/4 | 25 | 1·1/4 | 25 | 54 | 222 | 174 | 81 | 257 | 75 | 98 | 60 | Rc1/4 | AS50 | 55 | M6x15 | |
| □ 40 (1·1/2) | 40 | 169±3.0 | 1·1/2 | 28 | 1·1/2 | 28 | 1·1/2 | 28 | 65 | 249 | 190 | 98 | 257 | 75 | 117 | 70 | Rc1/4 | AS50 | 70 | M8x20 | |
| □ 50 (2) | 50 | 196±3.0 | 2 | 30 | 2 | 30 | 2 | 30 | 77 | 288 | 214 | 120 | 314 | 89 | 135 | 70 | Rc1/4 | AS65 | 85 | M8x20 | |

Note) 1. Thread dimension is in accordance with the following standard;
 JIS:JIS B 0203,ANSI:ANSI B1.20.1 and DIN2501 PN10/PN16 (ISO7005 PN10) for DIN
 2. If a fixing insert bolt is used, it should not be screwed in beyond dimension e.

| | | |
|--|--|--------------|
| Client name | | Date |
| Flange Standard | <input type="checkbox"/> Rc <input type="checkbox"/> NPT <input type="checkbox"/> Rp | Approved by: |
| Operation Type | <input type="checkbox"/> Air To Open (Fail Close) <input type="checkbox"/> Air To Close (Fail Open) | |
| Oil Free | <input type="checkbox"/> YES | |
| ESLON Pneumatic Ball Valve Type S (A series) Single Action/Thread Type 15-50A | | |
| Drawing No. BVSAS1550NE | | |
| SEKISUI SEKISUI CHEMICAL CO.,LTD. | | |



| No. | Part Name | Q'TY | Material/Type |
|-----|---------------------------|------|-----------------|
| 1 | Body | 1 | ■ PVDF |
| 2 | Stem | 1 | |
| 3 | Ball Holder | 2 | |
| 4 | Ball | 1 | |
| 5 | Union Nut | 2 | □ EPDM □ FKM |
| 6 | Thread Socket | 2 | |
| 7 | Stem O-Ring (※) | 2 | |
| 8 | Ball Holder O-Ring | 2 | |
| 9 | Union O-Ring | 2 | PTFE |
| 10 | Ball Seat O-Ring | 2 | |
| 11 | Ball Seat | 2 | AL6063 |
| 12 | Cylinder | 1 | |
| 13 | Connector | 1 | SUS303 |
| 14 | Connector | 4 | SUS304 |
| 15 | Hexagonal Nut | 4 | SUS304 |
| 16 | Spring Washer | 4 | SUS304 |
| 17 | Washer | 4 | SUS304 |
| 18 | Yoke | 1 | SS400+Coated |
| 19 | Collar | 1 | FRP |
| 20 | Upper mount | 1 | FRP |
| 21 | Lower mount | 1 | FRP |
| 22 | Insert Nut | 4 | C3601 |
| 23 | Shaft | 1 | SCM435 |
| 24 | Cover | 2 | AL12 |
| 25 | Adjust Bolt | 2 | SUS304 |
| 26 | Cover Bolt | 8 | SUS304 |
| 27 | Cylinder Ventilation Plug | 1 | C3601+Cr Coated |
| 28 | Shaft Cover | 1 | PA+PE |

※ Stem O-Ring material will be FKM+PTFE in case of Oil Free.

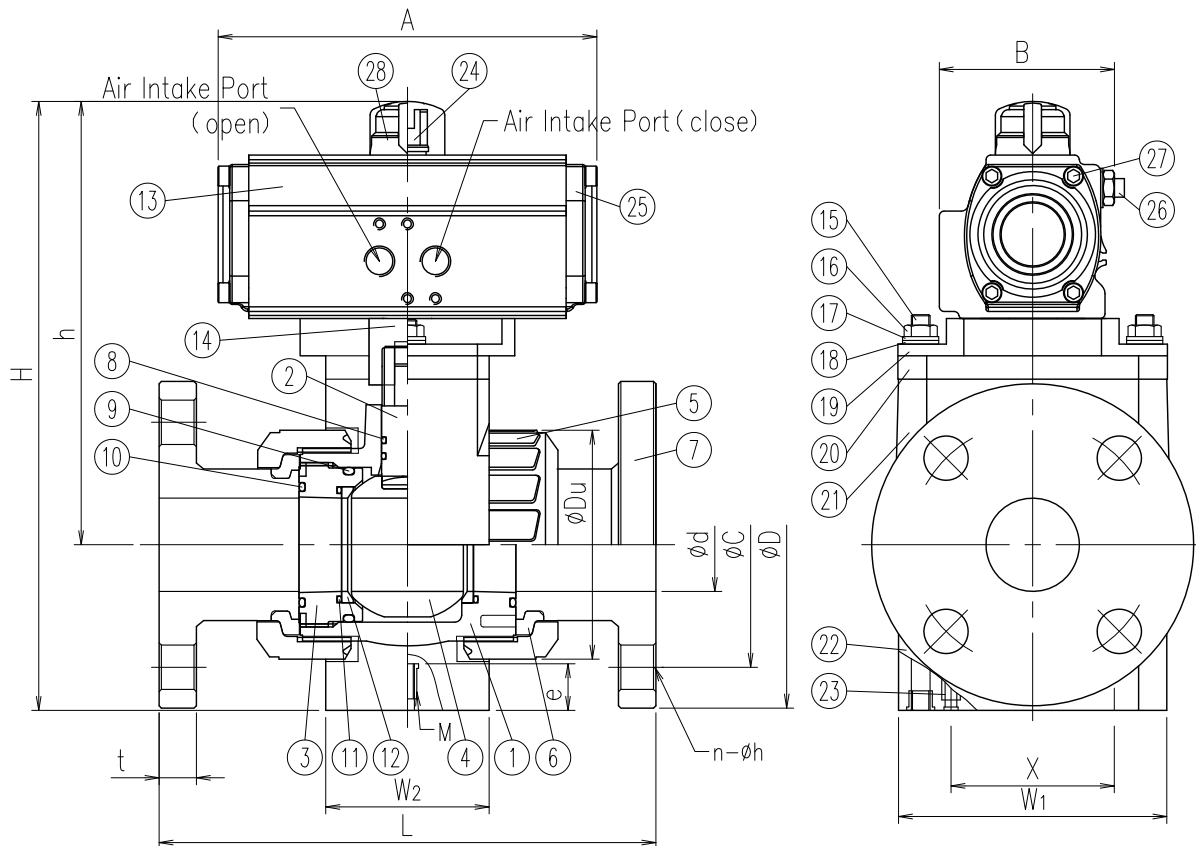
Dimension Table

Unit: mm

| Size | A (B) | φd | Thread | | | | | | ℓ | φdo | H | h | φDu | A | B | W1 | W2 | Actuator Type | Fixing Insert Nut | | |
|--------------|-------|-----|-------------------|---------|------------|---------|----------|---------|----|-----|-----|-----|-----|-----|-----|-----|-----|---------------|-------------------|----|-------|
| | | | JIS (Rc) DIN (Rc) | | ANSI (NPT) | | DIN (Rp) | | | | | | | | | | | | X | Y | Mxe |
| | | | Rc | L | NPT | L | Rp | L | | | | | | | | | | | | | |
| □ 65 (2 1/2) | 65 | 65 | 2-1/2 | 227±3.0 | 2-1/2 | 212±3.0 | 2-1/2 | 212±3.0 | 32 | 96 | 353 | 265 | 150 | 430 | 101 | 163 | 90 | AS80 | 115 | 38 | M8x20 |
| □ 80 (3) | 80 | 80 | 3 | 278±3.0 | 3 | 261±3.0 | 3 | 261±3.0 | 37 | 113 | 403 | 293 | 186 | 430 | 101 | 198 | 110 | AS80 | 140 | 48 | M8x20 |
| □ 100 (4) | 100 | 100 | 4 | 330±3.0 | 4 | 315±3.0 | 4 | 315±3.0 | 45 | 144 | 487 | 347 | 233 | 500 | 129 | 240 | 110 | AS100 | 180 | 59 | M8x20 |

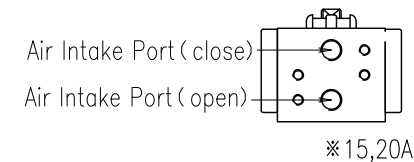
Note) 1. Thread dimension is in accordance with the following standard;
 JIS: JIS B 0203, ANSI: ANSI B1.20.1 and DIN 2501 PN10/PN16 (ISO 7005 PN10) for DIN
 2. If a fixing insert bolt is used, it should not be screwed in beyond dimension e.

| | | | |
|--|--|--------------|--|
| Client name | | Date | |
| Standard | <input type="checkbox"/> Rc <input type="checkbox"/> NPT <input type="checkbox"/> Rp | Approved by: | |
| Operation Type | <input type="checkbox"/> Air To Open (Fail Close) <input type="checkbox"/> Air To Close (Fail Open) | | |
| Oil Free | <input type="checkbox"/> YES | | |
| ESLON Pneumatic Ball Valve Type S (A-series) Single Action/Thread Type 65A-100A | | | |
| Drawing No. BVSAS651HNE | | | |
| SEKISUI SEKISUI CHEMICAL CO., LTD. | | | |



| No. | Part Name | Q'TY | Material/Type |
|-----|---------------------------|------------------------|----------------|
| 1 | Body | 1 | |
| 2 | Stem | 1 | |
| 3 | Ball holder | 1 | □PP |
| 4 | Ball | 1 | □PVDF |
| 5 | Union nut | 2 | |
| 6 | Set ring | 2 | |
| 7 | Flange | 2 | |
| 8 | Stem O-ring* | 15-20A: 1 25-50A: 2 | □EPDM □FKM |
| 9 | Ball holder O-ring | 1 | |
| 10 | Union O-ring | 2 | |
| 11 | Ball seat O-ring | 2 | |
| 12 | Ball Seat | 2 | PTFE |
| 13 | Cylinder | 1 | AL6063 |
| 14 | Connector | 1 | SUS304 |
| 15 | Stud Bolt | 2 | SUS304 |
| 16 | Hexagon Nut | 2 | SUS304 |
| 17 | Spring Washer | 2 | SUS304 |
| 18 | Washer | 2 | SUS304 |
| 19 | Yoke | 1 | FRP |
| 20 | Collar (Over 40A) | 1 | FRP |
| 21 | Upper Mount | 1 | FRP |
| 22 | Lower Mount | 1 | FRP |
| 23 | Insert Nut | 2 | C3601 |
| 24 | Shaft | 15-25A: 1 32-50A: 1 | S10C SMC435 |
| 25 | Cover | 2 | AL12 |
| 26 | Adjust Bolt (32A or more) | 2 | SUS304 |
| 27 | Cover Bolt | 8 | SUS304 |
| 28 | Shaft Cover | 1 | PA+PE |

* Stem O-Ring material will be FKM+PTFE in case of Oil Free.



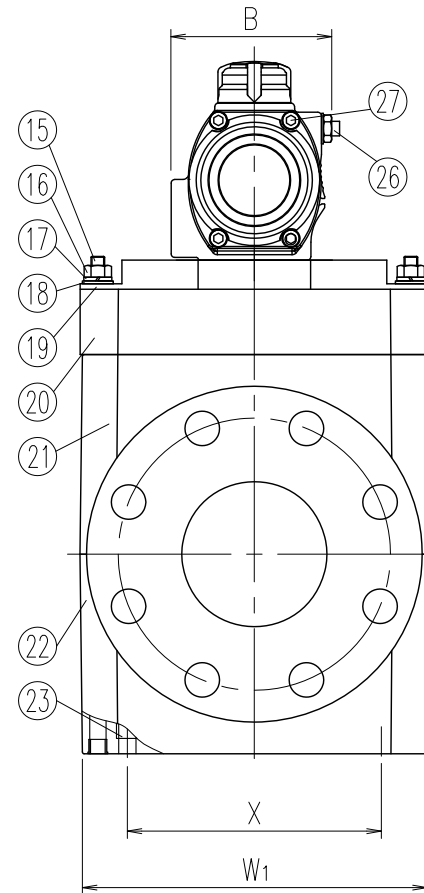
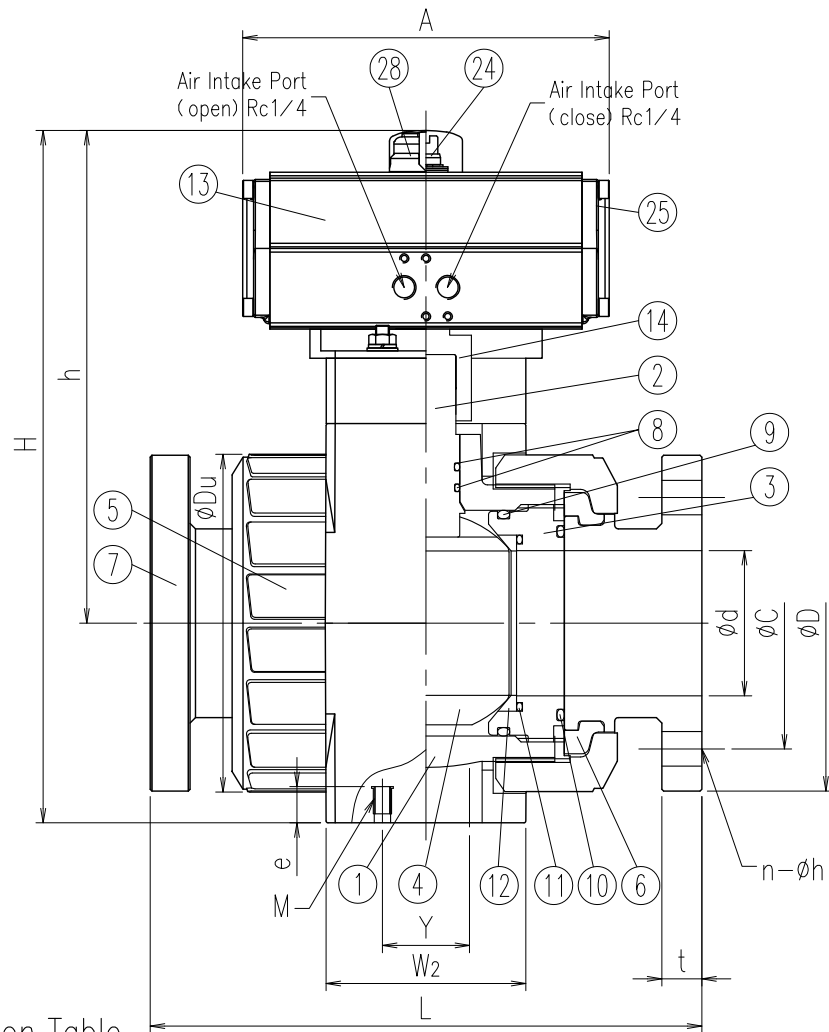
Dimension Table

Unit: mm

| Size | A (B) | ød | L | FLANGE | | | | | | | | | | | | Actuator Type | Air Supply | Fixing Insert Nut | | | | | | | |
|--------------|-------|---------|-----|--------|------|------|-------|-------|------|------|-----|-----|------|------|-----|---------------|------------|-------------------|-----|-----|----|------|-------|----|-------|
| | | | | JIS10K | | | | ANSI | | | | DIN | | | | | | X | Mxe | | | | | | |
| | | | | øD | øC | n-øh | t | øD | øC | n-øh | t | øD | øC | n-øh | t | | | | | | | | | | |
| □ 15 (1/2) | 15 | 143±1.5 | 95 | 70 | 4-15 | 14 | 89.0 | 60.5 | 4-16 | 11.5 | 95 | 65 | 4-14 | 11 | 165 | 116 | 49 | 70 | 45 | 92 | 50 | RD32 | Rc1/8 | 50 | M6x15 |
| □ 20 (3/4) | 20 | 172±1.5 | 100 | 75 | 4-15 | 14 | 98.0 | 70.0 | 4-16 | 13.0 | 105 | 75 | 4-14 | 12 | 174 | 123 | 59 | 70 | 45 | 92 | 50 | RD32 | Rc1/8 | 50 | M6x15 |
| □ 25 (1) | 25 | 187±1.5 | 125 | 90 | 4-19 | 14 | 108.0 | 79.5 | 4-16 | 14.5 | 115 | 85 | 4-14 | 14 | 222 | 158 | 67 | 109 | 60 | 92 | 50 | RD40 | Rc1/8 | 50 | M6x15 |
| □ 32 (1·1/4) | 32 | 190±1.5 | 135 | 100 | 4-19 | 16 | 117.5 | 89.0 | 4-16 | 16.0 | 140 | 100 | 4-18 | 15 | 242 | 174 | 81 | 162 | 75 | 98 | 60 | AD50 | Rc1/4 | 55 | M6x15 |
| □ 40 (1·1/2) | 40 | 212±1.5 | 140 | 105 | 4-19 | 16 | 127.0 | 98.5 | 4-16 | 17.5 | 150 | 110 | 4-18 | 16 | 261 | 190 | 98 | 162 | 75 | 117 | 70 | AD50 | Rc1/4 | 70 | M8x20 |
| □ 50 (2) | 50 | 234±1.5 | 155 | 120 | 4-19 | 20 | 152.0 | 120.5 | 4-19 | 19.5 | 165 | 125 | 4-18 | 18 | 276 | 197 | 120 | 162 | 75 | 135 | 70 | AD50 | Rc1/4 | 85 | M8x20 |

Note) 1. Flange dimension is in accordance with the following standard;
 JIS B 2220 for JIS10K, ANSI B16.5 for ANSI and DIN2501 PN10/PN16 (ISO7005 PN10) for DIN
 2. If a fixing insert bolt is used, it should not be screwed in beyond dimension e.

| | | |
|---|--------------------|--------------|
| Client name | | Date |
| Flange Standard | □JIS10K □ANSI □DIN | Approved by: |
| Oil Free | □YES | |
| ESLON Pneumatic Ball Valve Type S (A-series) Double Action/Flange Type 15A-50A Drawing No. BVSAD1550FE | | |
| SEKISUI SEKISUI CHEMICAL CO.,LTD. | | |



| No. | Part Name | Q'TY | Material/Type |
|-----|--------------------|------|---------------|
| 1 | Body | 1 | |
| 2 | Stem | 1 | |
| 3 | Ball Holder | 2 | □PP |
| 4 | Ball | 1 | □PVDF |
| 5 | Union Nut | 2 | |
| 6 | Set Ring | 2 | |
| 7 | Flange | 2 | |
| 8 | Stem O-Ring (※) | 2 | |
| 9 | Ball Holder O-Ring | 2 | □EPDM |
| 10 | Union O-Ring | 2 | □FKM |
| 11 | Ball Seat O-Ring | 2 | |
| 12 | Ball Seat | 2 | PTFE |
| 13 | Cylinder | 1 | AL6063 |
| 14 | Connector | 1 | SUS303 |
| 15 | Connector | 4 | SUS304 |
| 16 | Hexagonal Nut | 4 | SUS304 |
| 17 | Spring Washer | 4 | SUS304 |
| 18 | Washer | 4 | SUS304 |
| 19 | Yoke | 1 | SS400+Coated |
| 20 | Collar | 1 | FRP |
| 21 | Upper mount | 1 | FRP |
| 22 | Lower mount | 1 | FRP |
| 23 | Insert Nut | 4 | C3601 |
| 24 | Shaft | 1 | SCM435 |
| 25 | Cover | 2 | AL12 |
| 26 | Adjust Bolt | 2 | SUS304 |
| 27 | Cover Bolt | 8 | SUS304 |
| 28 | Shaft Cover | 1 | PA+PE |

※ Stem O-Ring material will be FKM+PTFE in case of Oil Free.

Dimension Table

Unit: mm

| Size | A (B) | ød | L | Flange | | | | | | | | | | | | H | h | øDu | A | B | W1 | W2 | Actuator Type | Fixing Insert Nut | | |
|--------------|-------|---------|-----|---------|------|----|------|-------|------|------|------|-----|------|----|------|-----|-----|-----|-----|-----|-----|------|---------------|-------------------|-------|-----|
| | | | | JIS10K | | | | ANSI | | | | DIN | | | | | | | | | | | | X | Y | Mxe |
| | | | | PP,PVDF | φD | φC | n-øh | t | φD | φC | n-øh | t | φD | φC | n-øh | | | | | | | | | | | |
| □ 65 (2 1/2) | 65 | 257±1.5 | 175 | 140 | 4-19 | 22 | 178 | 139.7 | 4-20 | 22.5 | 185 | 145 | 4-18 | 22 | 333 | 244 | 150 | 202 | 89 | 163 | 90 | AD65 | 115 | 38 | M8x20 | |
| □ 80 (3) | 80 | 301±1.5 | 185 | 150 | 8-19 | 22 | 191 | 152.4 | 4-20 | 24.0 | 200 | 160 | 8-18 | 23 | 381 | 271 | 186 | 202 | 89 | 198 | 110 | AD65 | 140 | 48 | M8x20 | |
| □ 100 (4) | 100 | 367±1.5 | 210 | 175 | 8-19 | 24 | 229 | 190.5 | 8-20 | 24.0 | 220 | 180 | 8-18 | 23 | 461 | 321 | 233 | 262 | 101 | 240 | 110 | AD80 | 180 | 59 | M8x20 | |

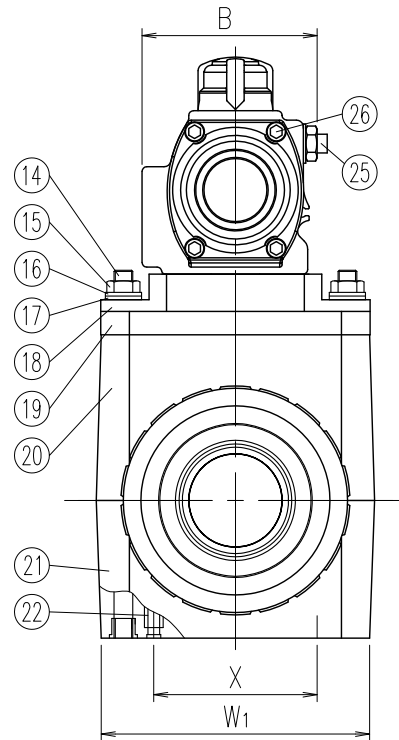
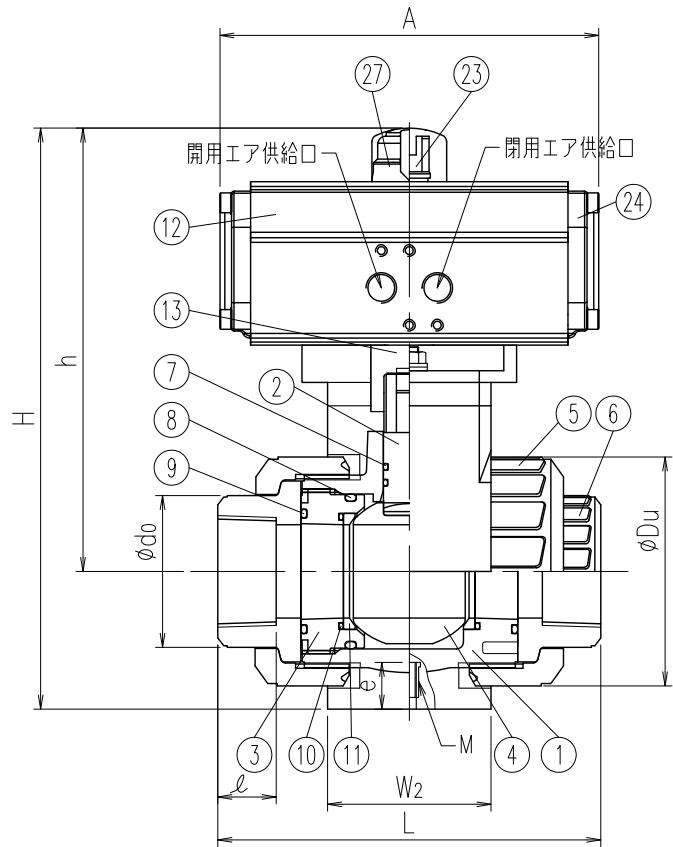
Note) 1. Flange dimension is in accordance with the following standard;
 JIS B 2220 for JIS10K, ANSI B16.5 for ANSI and DIN EN 1092-1 PN10 for DIN
 2. If a fixing insert bolt is used, it should not be screwed in beyond dimension e.

| | | |
|-----------------|--------------------|--------------|
| Client name | | Date |
| Flange Standard | □JIS10K □ANSI □DIN | Approved by: |
| Oil Free | □YES | |

ESLON Pneumatic Ball Valve Type S (A-series)
 Double Action/Flange Type 65A-100A

Drawing No. |BVSAD651HFE

SEKISUI SEKISUI CHEMICAL CO.,LTD.



| No. | Part Name | Q'ty | Material/Type |
|-----|------------------------|------------------|----------------|
| 1 | Body | 1 | ■PVDF |
| 2 | Stem | 1 | |
| 3 | Ball stopper | 1 | |
| 4 | Ball | 1 | |
| 5 | Union nut | 2 | |
| 6 | Thread socket | 2 | |
| 7 | Stem O-ring | 15-20A 25-50A | □EPDM □FKM |
| 8 | Ball stopper O-ring | 1 | |
| 9 | Union O-ring | 2 | |
| 10 | Ball seat O-ring | 2 | |
| 11 | Ball seat | 2 | PTFE |
| 12 | Cylinder | 1 | AL6063 |
| 13 | Connector | 1 | SUS303 |
| 14 | Stud bolt | 2 | SUS304 |
| 15 | Hexagon nut | 2 | SUS304 |
| 16 | Spring washer | 2 | SUS304 |
| 17 | Washer | 2 | SUS304 |
| 18 | Yoke | 1 | FRP |
| 19 | Collar (40A, 50A) | 1 | FRP |
| 20 | Upper mount | 1 | FRP |
| 21 | Lower mount | 1 | FRP |
| 22 | Insert nut | 2 | C3601 |
| 23 | Shaft | 15-25A 32-50A | S10C SCM435 |
| 24 | Cover | 2 | AL12 |
| 25 | Adjust bolt (over 32A) | 2 | SUS304 |
| 26 | Cover bolt | 8 | SUS304 |
| 27 | Shaft cover | 1 | PA+PE |

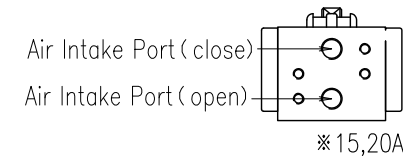
* Stem O-Ring material will be FKM+PTFE in case of Oil Free.

Dimension Table

Unit: mm

| Size | A (B) | φd | L | Thread | | | | φdo | H | h | φDu | A | B | W1 | W2 | Air Supply | Actuator Type | Fixing Insert Nut | | |
|--------------|-------|---------|-------|----------|----------|------------|----------|-----|----|-----|-----|-----|-----|----|-----|------------|---------------|-------------------|-----|-------|
| | | | | JIS (Rc) | DIN (Rc) | ANSI (NPT) | DIN (Rp) | | | | | | | | | | | X | Mxe | |
| | | | | Rc | ℓ | NPT | ℓ | | | | | | | | | | | Rp | ℓ | |
| □ 15 (1/2) | 15 | 99±3.0 | 1/2 | 20 | 1/2 | 20 | 1/2 | 20 | 30 | 146 | 116 | 49 | 70 | 45 | 92 | 50 | Rc1/8 | RD32 | 50 | M6x15 |
| □ 20 (3/4) | 20 | 116±3.0 | 3/4 | 22 | 3/4 | 22 | 3/4 | 22 | 35 | 156 | 122 | 59 | 70 | 45 | 92 | 50 | Rc1/8 | RD32 | 50 | M6x15 |
| □ 25 (1) | 25 | 136±3.0 | 1 | 24 | 1 | 24 | 1 | 24 | 44 | 197 | 158 | 67 | 109 | 60 | 92 | 50 | Rc1/8 | RD40 | 50 | M6x15 |
| □ 32 (1.1/4) | 32 | 148±3.0 | 1.1/4 | 25 | 1.1/4 | 25 | 1.1/4 | 25 | 54 | 223 | 174 | 81 | 162 | 75 | 98 | 60 | Rc1/4 | AD50 | 55 | M6x15 |
| □ 40 (1.1/2) | 40 | 169±3.0 | 1.1/2 | 28 | 1.1/2 | 28 | 1.1/2 | 28 | 65 | 249 | 190 | 98 | 162 | 75 | 117 | 70 | Rc1/4 | AD50 | 70 | M8x20 |
| □ 50 (2) | 50 | 196±3.0 | 2 | 30 | 2 | 30 | 2 | 30 | 77 | 271 | 197 | 120 | 162 | 75 | 135 | 70 | Rc1/4 | AD50 | 85 | M8x20 |

Note) 1. Thread dimension is in accordance with the following standard;
 JIS:JIS B 0203,ANSI:ANSI B1.20.1 and DIN2501 PN10/PN16 (ISO7005 PN10) for DIN
 2. If a fixing insert bolt is used, it should not be screwed in beyond dimension e.



| | | |
|-----------------|--|--------------|
| Client name | | Date |
| Flange Standard | <input type="checkbox"/> Rc <input type="checkbox"/> NPT <input type="checkbox"/> Rp | Approved by: |
| Oil Free | <input type="checkbox"/> YES | |

ESLON Pneumatic Ball Valve Type S (A-series)
 Double Action/Thread Type 15A-50A
 Drawing No. |BVSAD1550NE

SEKISUI SEKISUI CHEMICAL CO.,LTD.