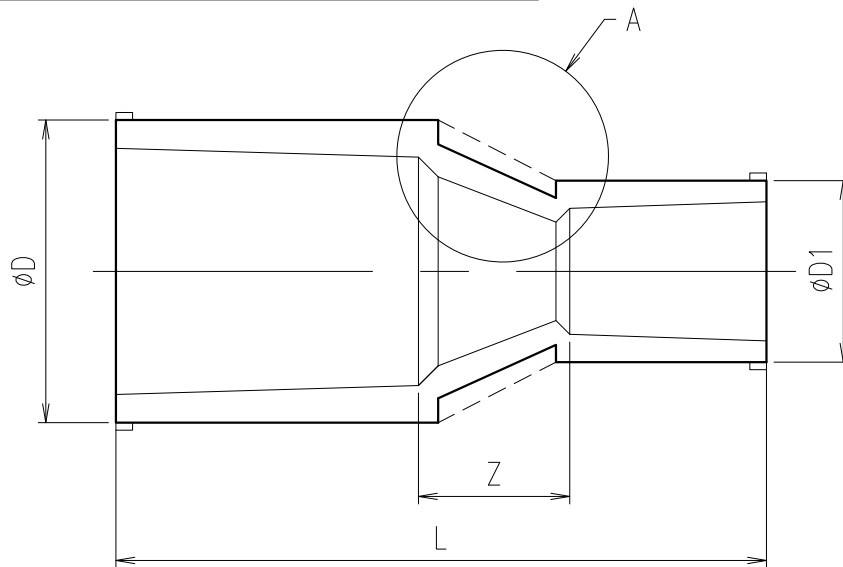


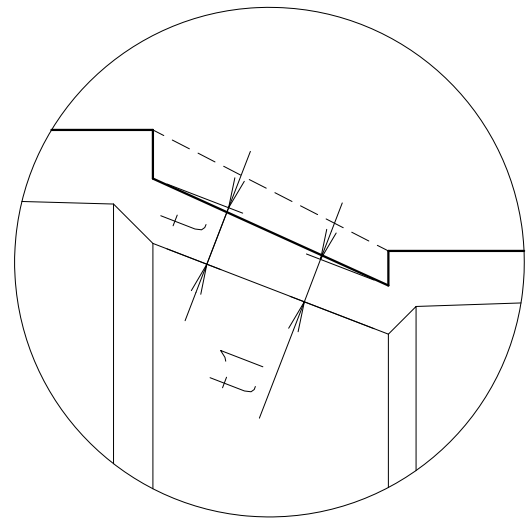
Elson Clean Fittings Reducing Coupling



Dimension Table

Unit:mm

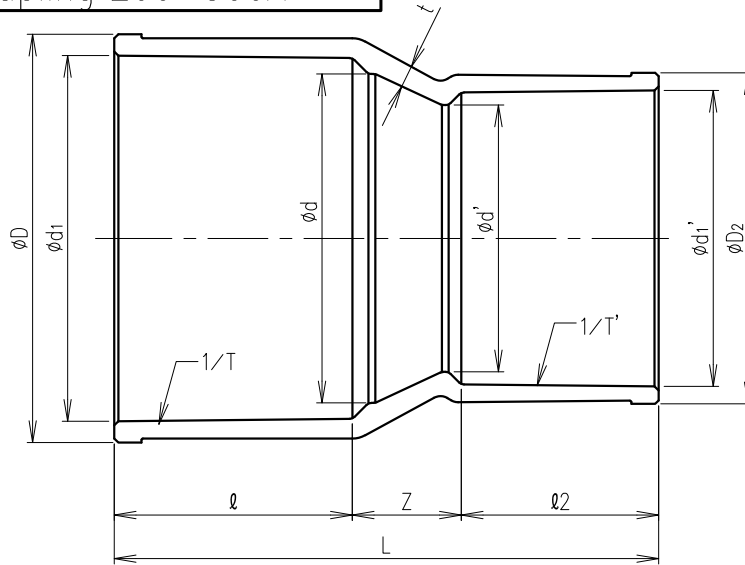
Designated Size	Nominal Diameter A	φD	φD1	t	t1	L±4	Z (Ref.)
□	16x13	29	24	3.5	3.0	61	5
□	20x13	33	24	3.5	3.0	68	7
□	20x16	33	29	3.5	3.5	71	6
□	25x13	40	24	4.0	3.0	86	20
□	25x16	40	29	4.0	3.5	85	15
□	25x20	40	33	4.0	3.5	84	9
□	30x13	46	24	4.0	3.0	95	25
□	30x20	46	33	4.0	3.5	93	14
□	30x25	46	40	4.0	4.0	93	9
□	40x20	57	33	4.5	3.5	113	23
□	40x25	57	40	4.5	4.0	114	19
□	40x30	57	46	4.5	4.0	114	15
□	50x20	70	33	6.5	6.5	116	18
□	50x25	70	40	5.0	4.0	140	37
□	50x30	70	46	5.0	4.0	136	29
□	50x40	70	57	5.0	4.5	136	18
□	65x50	87	70	6.6	5.0	149	25
□	75x50	102	70	8.0	5.0	165	38
□	75x65	102	87	8.0	6.6	159	38
□	100x75	130	102	10.0	8.0	190	42
□	125x100	157	130	11.0	10.0	229	41
□	150x100	186	130	13.0	10.0	295	79
□	150x125	186	157	13.0	11.0	272	36



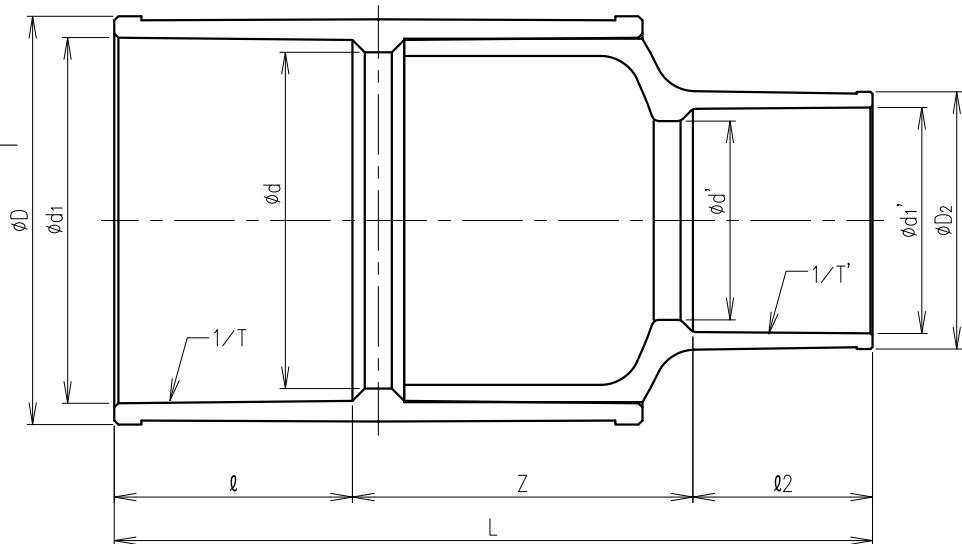
A部詳細

Eslon Clean Fittings Reducing Coupling		DWG No.
		RS1350VE
SEKISUI SEKISUI CHEMICAL CO.,LTD.	Date	Approved by:
	2010.06.09	

Eslon fittings
Reducing Coupling 200~300A



With Bushing



Dimension Table

Unit: mm

	Size		øD	ød	ød1	1/T	ø	øD2	ød'	ød'1	1/T'	ø2	Z	L	t	Nominal pressure (MPa)
	A	B														
<input type="checkbox"/>	200x150	8x6	243	196	217.4±0.7	1/50	145	189	146	166.0±0.4	1/63	132	91	368	13.0	0.75
<input type="checkbox"/>	250x150*	10x6	300	242	268.6±0.7	1/50	175	189	146	166.0±0.4	1/63	132	250	557	—	0.75
<input type="checkbox"/>	250x200	10x8	300	242	268.6±0.7	1/50	175	243	196	217.4±0.7	1/50	145	80	400	14.5	0.75
<input type="checkbox"/>	300x150*	12x6	356	288	319.8±0.8	1/50	185	189	146	166.0±0.4	1/63	132	288	605	—	0.6
<input type="checkbox"/>	300x200*	12x8	356	288	319.8±0.8	1/50	185	243	196	217.4±0.7	1/50	145	271	601	—	0.6
<input type="checkbox"/>	300x250	12x10	356	288	319.8±0.8	1/50	185	300	242	268.6±0.7	1/50	175	75	435	16.0	0.6

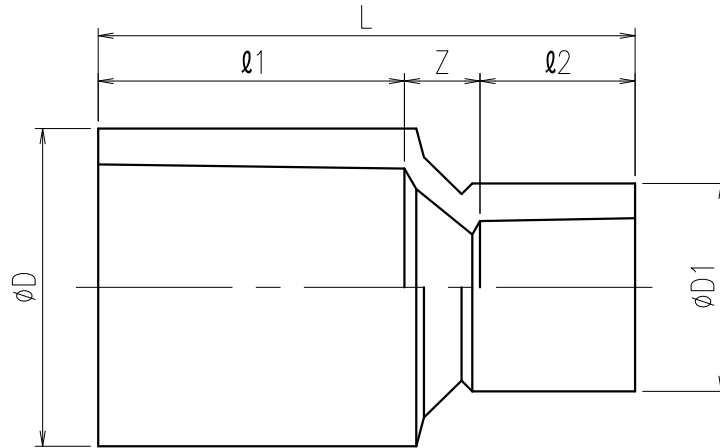
Remarks) *With Bushing

Material

- Esloclean
- HI-PVC
- U-PVC

Eslon fittings Reducing Coupling 200~300A		DWG No.
		RS200TVE
SEKISUI SEKISUI CHEMICAL CO.,LTD.	Date	Approved by:
	2009.12.01	

ESLON HT Clean Fittings
Reducing Coupling A-1



Dimension Table

Unit:mm

	A	D	D1	L	l_1	l_2	Z
□	20x16	36	31	71	35.5	25.5	10
□	25x16	42	31	76	40.5	25.5	10
□	25x20	42	36	86	40.5	35.5	10
□	30x20	48	36	86	40.5	35.5	10
□	30x25	48	42	91	40.0	40.0	11
□	40x20	58	36	99	35.0	45.0	19
□	40x25	58	42	101	45.5	40.5	15
□	40x30	58	48	98	45.5	40.5	12
□	50x25	70	42	111	50.5	40.5	20
□	50x30	70	48	111	50.5	40.5	20
□	50x40	70	58	111	50.5	45.5	15

ESLON HT Clean Fittings
Reducing Coupling A-1

SEKISUI

SEKISUI CHEMICAL CO.,LTD.

Date

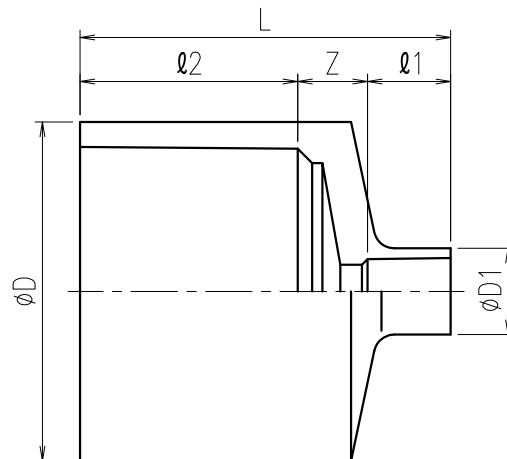
2000.03.28

DWG No.

RS1650TE-A1

Approved by:

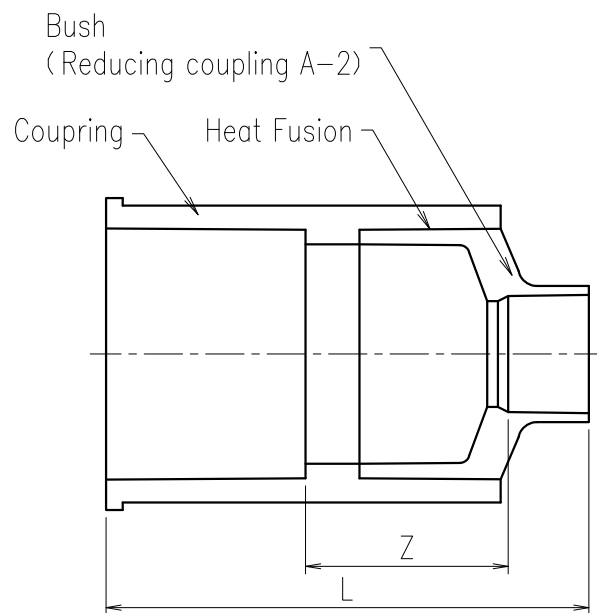
ESLON HT Clean Fittings
Reducing Coupling A-2



	socket		Bush		φD	φD1	L	l2 (Ref.)	l1 (Ref.)	Z (Ref.)
□	50x16	2x1/2	65x16	2·1/2x1/2	76	31.0	103.5	51.0	31.0	21.5
□	50x20	2x3/4	65x20	2·1/2x3/4	76	36.0	109.0	51.0	35.5	22.5
□	65x20	2·1/2x3/4	75x20	3x3/4	89	36.0	113.5	63.5	41.5	8.5
□	65x25	2·1/2x1	75x25	3x1	89	42.0	119.5	62.5	40.5	16.5
□	65x30	2·1/2x1·1/4	75x30	3x1·1/4	89	48.0	121.5	62.5	40.5	18.5
□	65x40	2·1/2x1·1/2	75x40	3x1·1/2	89	58.0	134.5	62.5	45.0	27.0
□	65x50	2·1/2x2	75x50	3x2	89	70.0	142.0	62.0	50.5	29.5
□	75x20	3x3/4	100x20	4x3/4	114	36.0	132.0	75.0	25.0	32.0
□	75x25	3x1	100x25	4x1	114	42.0	138.0	75.0	40.5	22.5
□	75x30	3x1·1/4	100x30	4x1·1/4	114	48.0	137.5	75.0	40.5	22.0
□	75x40	3x1·1/2	100x40	4x1·1/2	114	58.0	143.5	74.5	45.5	23.5
□	75x50	3x2	100x50	4x2	114	70.0	148.0	75.0	50.5	22.5
□	75x65	3x2·1/2	100x65	4x2·1/2	114	87.5	161.5	75.0	62.0	24.5
□	100x20	4x3/4	125x20	5x3/4	140	36.0	145.0	91.5	35.5	17.5
□	100x25	4x1	125x25	5x1	140	42.0	150.5	91.5	40.5	18.5
□	100x50	4x2	125x50	5x2	140	70.0	160.0	91.5	50.5	18.0
□	100x65	4x2·1/2	125x65	5x2·1/2	140	87.5	171.0	91.5	61.5	18.0
□	100x75	4x3	125x75	5x3	140	102.0	183.0	91.5	73.5	17.5
□	125x20	5x3/4	150x20	6x3/4	165	36.0	175.5	105.0	35.5	35.0
□	125x25	5x1	150x25	6x1	165	42.0	180.5	106.0	40.5	34.0
□	125x75	5x3	150x75	6x3	165	102.0	218.5	105.0	79.5	34.0
□	125x100	5x4	150x100	6x4	165	131.0	233.5	104.5	94.0	35.0

ESLON HT Clean Fittings Reducing Coupling A-2		DWG No.
		RS161QTE-A2
SEKISUI SEKISUI CHEMICAL CO.,LTD.	Date	Approved by:
	2000.03.28	

ESLON HT Clean Fittings
Reducing Coupling



	size		L ±6	Z (Ref.)
	A	B		
<input type="checkbox"/>	65x16	2·1/2x1/2	155	86
<input type="checkbox"/>	100x30	4x1·1/4	224	132
<input type="checkbox"/>	100x40	4x1·1/2	229	137
<input type="checkbox"/>	125x50	5x2	269	165
<input type="checkbox"/>	125x65	5x2·1/2	274	170
<input type="checkbox"/>	150x20	6x3/4	316	184
<input type="checkbox"/>	150x25	6x1	321	189
<input type="checkbox"/>	150x75	6x3	360	228
<input type="checkbox"/>	150x100	6x4	374	242
<input type="checkbox"/>	150x125	6x5	386	148

ESLON HT Clean Fittings Reducing Coupling		DWG No.
		RS161FTE-B
SEKISUI SEKISUI CHEMICAL CO.,LTD.	Date	Approved by:
	2000.03.28	