

No.	Part Name	Q'TY	Material/Type
1	Body	1	
2	Stem	1	
3	Ball holder	1	□PVC
4	Ball	1	□HT (JIS: Brown)
5	Union nut	1	□CPVC
6	Set ring	2	(ANSI·DIN: Gray)
7	Flange	2	
8	Stem O-ring*	2	
9	Ball holder O-ring	1	□EPDM
10	Union O-ring	2	□FKM
11	Ball seat O-ring	2	
12	Ball Seat	2	PTFE
13	Screw	4	SUS304
14	Cylinder	1	AL6063
15	Connector	1	AL6061
16	Hexagon Nut	2	SUS304
17	Spring Washer	4	SUS304
18	Hexagon Bolt	2	SUS304
19	Yoke	1	GF-PP
20	Yoke	1	GF-PP
21	Insert Nut	2	C3601
22	Shaft	1	SCM435
23	Cover	2	AL12
24	Adjust Bolt	2	SUS304
25	Cover Bolt	8	SUS304
26	Cylinder Ventilation Plug	1	C3601+Cr Coated
27	Shaft Cover	1	PA+PE

\* Stem O-Ring material will be FKM+PTFE in case of Oil Free.

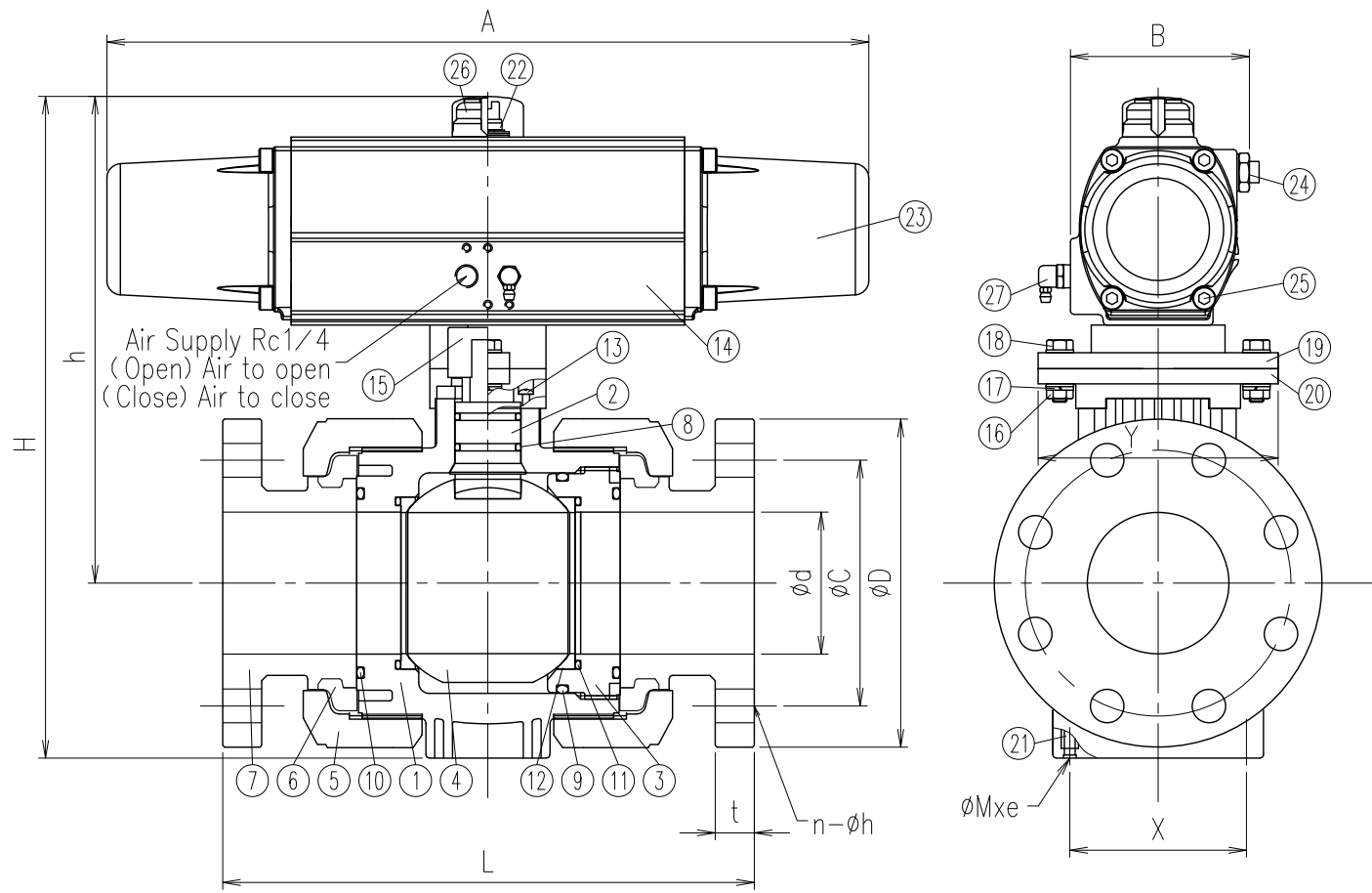
Dimension Table

Unit: mm

Size	A (B)	φd	L	FLANGE												H	h	φDu	A	B	Y	Actuator Type	Fixing Insert Nut	
				JIS10K				ANSI				DIN											X	Mxe
				φD	φC	n-φh	t	φD	φC	n-φh	t	φD	φC	n-φh	t									
□ 15 (1/2)	15	143±1.5	95	70	4-15	14	89.0	60.5	4-16	11.5	95	65	4-14	11	175	147	49	133	75	68	RS50	27	M5x8	
□ 20 (3/4)	20	172±1.5	100	75	4-15	14	98.0	70.0	4-16	13.0	105	75	4-14	12	184	152	59	133	75	68	RS50	32	M5x8	
□ 25 (1)	25	187±1.5	125	90	4-19	14	108.0	79.5	4-16	14.5	115	85	4-14	14	199	162	67	133	75	86	RS50	37	M5x8	
□ 32 (1·1/4)	32	190±1.5	135	100	4-19	16	117.5	89.0	4-16	16.0	140	100	4-18	15	213	170	81	257	75	86	AS50	42	M5x8	
□ 40 (1·1/2)	40	212±1.5	140	105	4-19	16	127.0	98.5	4-16	17.5	150	110	4-18	16	245	193	98	257	75	117	AS50	57	M6x11	
□ 50 (2)	50	234±1.5	155	120	4-19	20	152.0	120.5	4-19	19.5	165	125	4-18	18	279	216	120	314	89	117	AS65	67	M6x11	

Note) 1. Flange dimension is in accordance with the following standard;  
 JIS B 2220 for JIS10K, ANSI B16.5 for ANSI and DIN2501 PN10/PN16 (ISO7005 PN10) for DIN  
 2. If a fixing insert bolt is used, it should not be screwed in beyond dimension e.

Client name		Date
Flange Standard	□JIS □ANSI □DIN	Approved by:
Operation Type	□Air To Open (Fail Close) □Air To Close (Fail Open)	
Oil Free	□YES	
ESLON Pneumatic Ball Valve Type S (A series) Single Action/Flange Type 15A-50A		
Drawing No.  BVMAS1550FE		
<b>SEKISUI SEKISUI CHEMICAL CO.,LTD.</b>		



No.	Part Name	Q'TY	Material/Type
1	Body	1	
2	Stem	1	<input type="checkbox"/> PVC
3	Ball holder	1	<input type="checkbox"/> HT (JIS: Brown)
4	Ball	1	<input type="checkbox"/> CPVC
5	Union nut	2	(ANSI-DIN: Gray)
6	Set ring	2	
7	Flange	2	
8	Stem O-ring*	2	
9	Ball holder O-ring	1	<input type="checkbox"/> EPDM
10	Union O-ring	2	<input type="checkbox"/> FKM
11	Ball seat O-ring	2	
12	Ball Seat	2	PTFE
13	Screw	4	SUS304
14	Cylinder	1	AL6063
15	Connector	1	AL6061
16	Hexagon Nut	2	SUS304
17	Washer	4	SUS304
18	Hexagon Bolt	2	SUS304
19	Yoke	1	GF-PP
20	Yoke	1	GF-PP
21	Insert Nut	2	C3601
22	Shaft	1	SCM435
23	Cover	2	AL12
24	Adjust Bolt	2	SUS304
25	Cover Bolt	8	SUS304
26	Shaft Cover	1	PA+PE
27	Cylinder Ventilation Plug	1	C3601+Cr Coated

\* Stem O-Ring material will be FKM+PTFE in case of Oil Free.

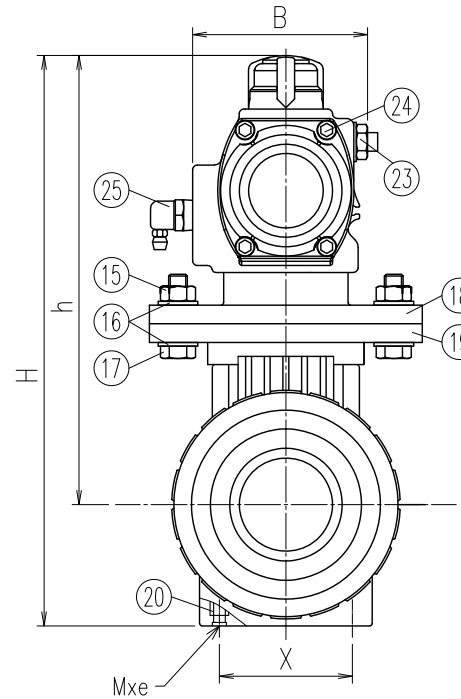
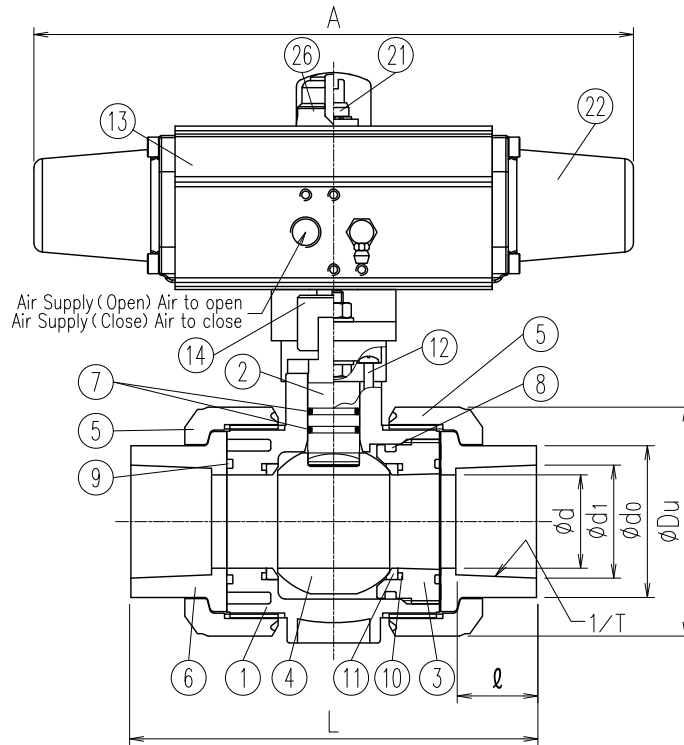
Dimension Table

Unit: mm

Size	A(B)	$\phi d$	L	FLANGE												H	h	$\phi Du$	A	B	Y	Actuator Type	Fixing Insert Nut	
				JIS10K				ANSI				DIN											X	Mxe
				PVC	HT	$\phi D$	$\phi C$	$n-\phi h$	t	$\phi D$	$\phi C$	$n-\phi h$	t	$\phi D$	$\phi C$									
<input type="checkbox"/>	65 (2 1/2)	65	259±1.5	175	140	4-19	22	178	139.5	4-20	22.5	185	145	4-18	22	345	264	150	430	101	135.5	AS80	81	M6x10
<input type="checkbox"/>	80 (3)	80	304±1.5	185	150	8-19	22	191	152.5	4-20	24	200	160	8-18	23	374	275	186	430	101	135.5	AS80	99.7	M8x10
<input type="checkbox"/>	100 (4)	100	372±1.5	210	175	8-19	24	229	190.5	8-20	24	220	180	8-18	23	462	341	228	500	129	174.5	AS100	119.7	M8x10

Note) 1. Flange dimension is in accordance with the following standard;  
 JIS B 2220 for JIS10K, ANSI B16.5 for ANSI and DIN2501 PN10/PN16 (ISO7005 PN10) for DIN  
 2. If a fixing insert bolt is used, it should not be screwed in beyond dimension e.

Client name		Date
Flange Standard	<input type="checkbox"/> JIS <input type="checkbox"/> ANSI <input type="checkbox"/> DIN	Approved by:
Operation Type	<input type="checkbox"/> Air To Open (Fail Close) <input type="checkbox"/> Air To Close (Fail Open)	
Oil Free	<input type="checkbox"/> YES	
ESLON Pneumatic Ball Valve Type S (A series) Single Action/Flange Type 65A-100A		
Drawing No.  BVMAS651HFE		
<b>SEKISUI SEKISUI CHEMICAL CO.,LTD.</b>		



No.	Part Name	Q'TY	Material/Type
1	Body	1	
2	Stem	1	□PVC
3	Ball holder	1	□HT (JIS: Brown)
4	Ball	1	□CPVC
5	Union nut	2	(ANSI·DIN: Gray)
6	Socket	2	
7	Stem O-ring*	2	
8	Ball holder O-ring	1	□EPDM
9	Union O-ring	2	□FKM
10	Ball seat O-ring	2	
11	Ball Seat	2	PTFE
12	Screw	4	SUS304
13	Cylinder	1	AL6063
14	Connector	1	AL6061
15	Hexagon Nut	2	SUS304
16	Spring Washer	4	SUS304
17	Hexagon Bolt	2	SUS304
18	Yoke	1	GF-PP
19	Yoke	1	GF-PP
20	Insert Nut	2	C3601
21	Shaft	1	SCM435
22	Cover	2	AL12
23	Adjust Bolt	2	SUS304
24	Cover Bolt	8	SUS304
25	Cylinder Ventilation Plug	1	C3601+Cr Coated
26	Shaft Cover	1	PA+PE

\* Stem O-Ring material will be FKM+PTFE in case of Oil Free.

Dimension Table

Unit: mm

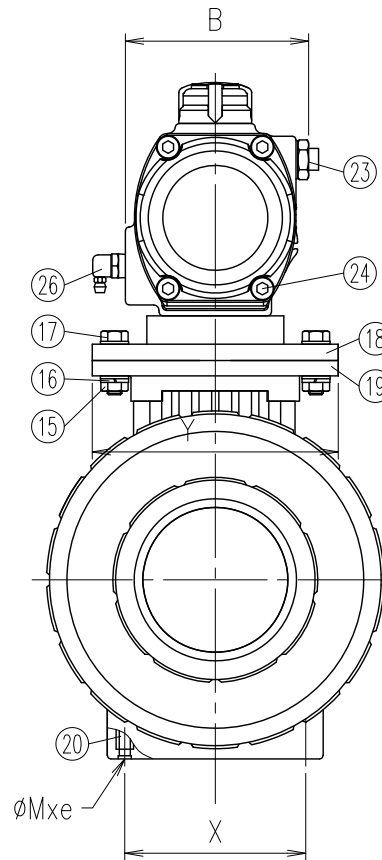
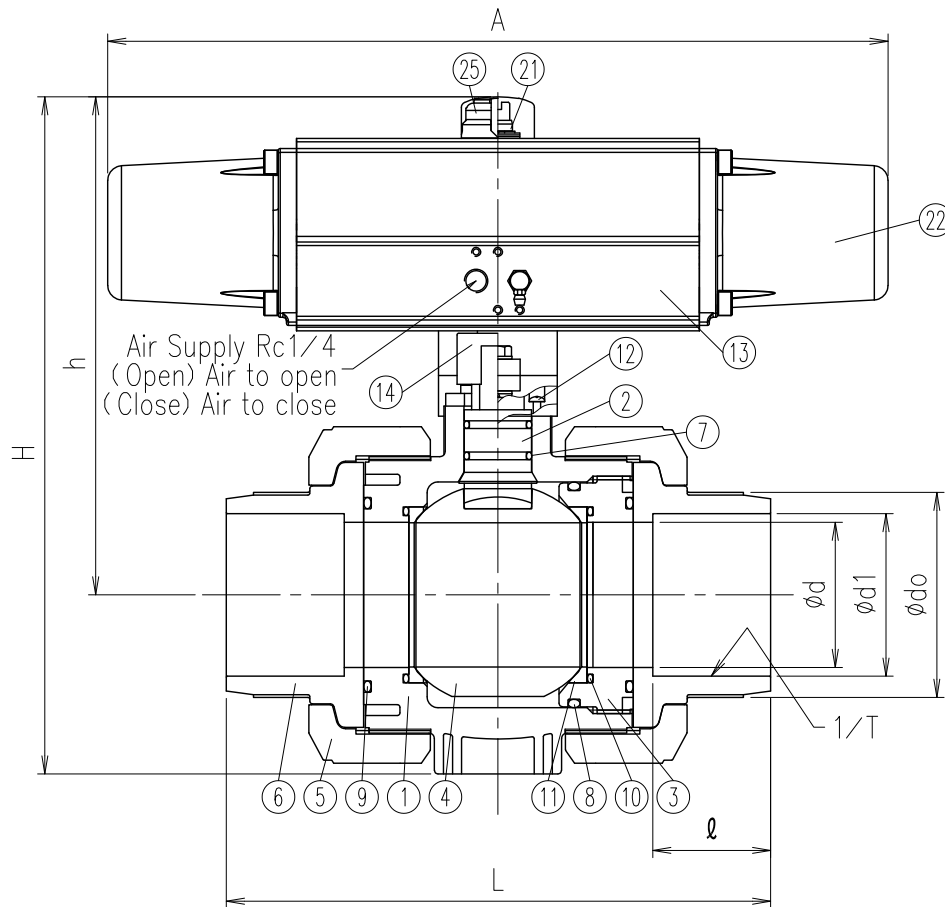
Size	A (B)	$\phi d$	L												$\phi do$	H	h	$\phi Du$	A	B	Air Supply	Actuator Type	Fixing Insert Nut	
			JIS			ASTM			DIN			X	Mxe											
			JIS	ASTM	DIN	$\phi d_1$	1/T	$\ell$	$\phi d_1$	1/T	$\ell$			$\phi d_1$									1/T	$\ell$
□ 15 (1/2)	15	109±3.0	103±3.0	92±3.0	22	1/37	22	22	1/72	22	20	1/65	16	33	175	147	49	133	75	Rc1/4	RS50	27	M5x8	
□ 20 (3/4)	20	132±3.0	119±3.0	107±3.0	26	1/42	25	27	1/85	25	25	1/80	19	35	184	152	59	133	75	Rc1/4	RS50	32	M5x8	
□ 25 (1)	25	143±3.0	133±3.0	121±3.0	32	1/43	29	34	1/75	29	32	1/95	22	44	199	162	67	133	75	Rc1/4	RS50	37	M5x8	
□ 32 (1·1/4)	32	166±3.0	147±3.0	137±3.0	38	1/37	32	42	1/84	32	40	1/115	26	54	213	170	81	257	75	Rc1/4	AS50	42	M5x8	
□ 40 (1·1/2)	40	175±3.0	171±3.0	161±3.0	49	1/38	35	49	1/78	35	50	1/140	31	66	245	193	98	257	75	Rc1/4	AS50	57	M6x11	
□ 50 (2)	50	203±3.0	188±3.0	189±3.0	61	1/34	38	61	1/83	38	63	1/175	38	77	279	216	120	314	89	Rc1/4	AS65	67	M6x11	

Note) 1. Socket dimension is in accordance with the following standard;

JIS:JIS K6743,ASTM:ASTM D2467 and DIN2501 PN10/PN16 (ISO7005 PN10) for DIN

2. If a fixing insert bolt is used, it should not be screwed in beyond dimension e.

Client name		Date
Flange Standard	□JIS □ASTM □DIN	Approved by:
Operation Type	□Air To Open (Fail Close) □Air To Close (Fail Open)	
Oil Free	□YES	
ESLON Pneumatic Ball Valve Type S (A series) Single Action/Socket Type 15A-50A		
Drawing No.  BVMAS1550SE		
<b>SEKISUI SEKISUI CHEMICAL CO.,LTD.</b>		



No.	Part Name	Q'TY	Material/Type
1	Body	1	
2	Stem	1	□PVC
3	Ball holder	1	□HT (JIS: Brown)
4	Ball	1	□CPVC
5	Union nut	2	(ANSI-DIN: Gray)
6	TS Socket	2	
7	Stem O-ring*	2	
8	Ball holder O-ring	1	□EPDM
9	Union O-ring	2	□FKM
10	Ball seat O-ring	2	
11	Ball Seat	2	PTFE
12	Screw	4	SUS304
13	Cylinder	1	AL6063
14	Connector	1	AL6061
15	Hexagon Nut	2	SUS304
16	Washer	4	SUS304
17	Hexagon Bolt	2	SUS304
18	Yoke	1	GF-PP
19	Yoke	1	GF-PP
20	Insert Nut	2	C3601
21	Shaft	1	SCM435
22	Cover	2	AL12
23	Adjust Bolt	2	SUS304
24	Cover Bolt	8	SUS304
25	Shaft Cover	1	PA+PE
26	Cylinder Ventilation Plug	1	C3601+Cr Coated

\* Stem O-Ring material will be FKM+PTFE in case of Oil Free.

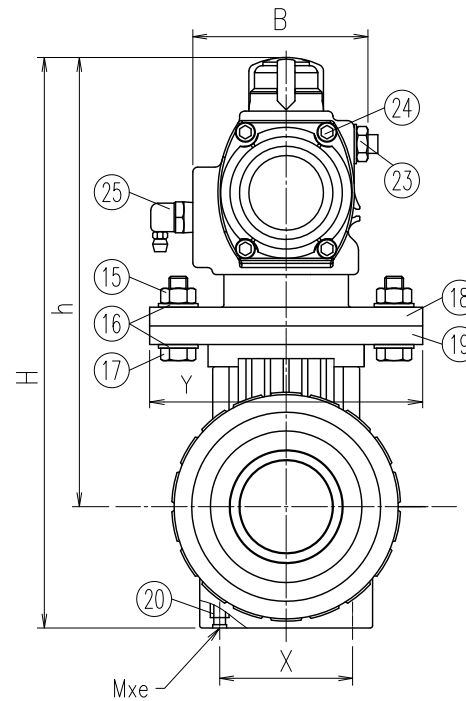
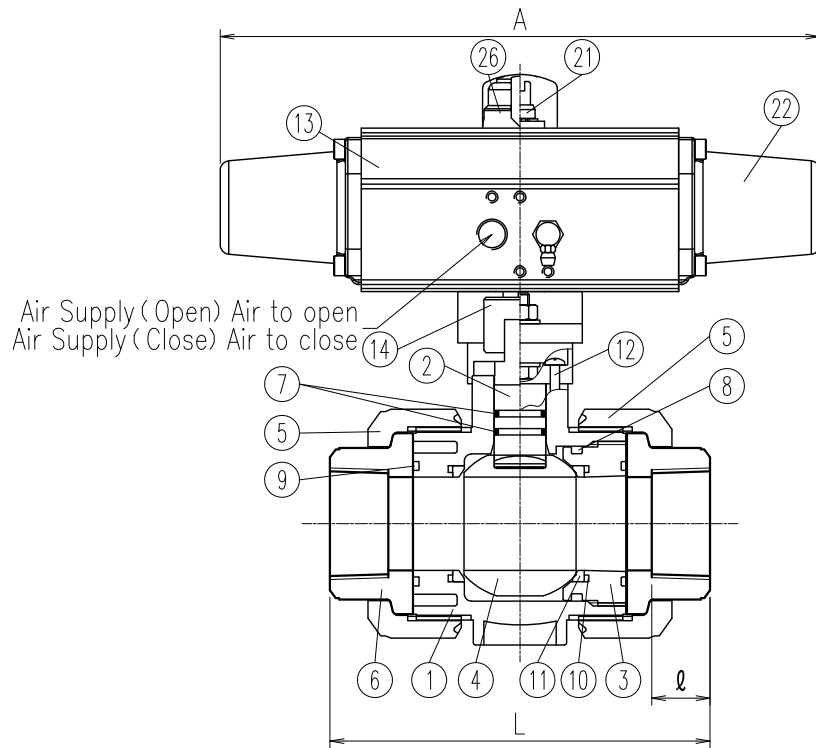
Dimension Table

Unit: mm

Size	A(B)	ød	L			TS Socket									ødo	H	h	øDu	A	B	Y	Actuator Type	Fixing Insert Nut	
						JIS			ASTM			DIN											X	Mxe
			JIS	ASTM	DIN	ød1	1/T	ℓ	ød1	1/T	ℓ	ød1	1/T	ℓ										
□ 65 (2 1/2)	65	259±3.0	211±3.0	211±3.0	76.6	1/48	61	73.38	1/84	44.45	75.3	1/220	44	96	345	264	150	430	101	135.5	AS80	81	M6x10	
□ 80 (3)	80	311±3.0	262±3.0	263±3.0	89.6	1/49	64	89.31	1/78	47.63	90.3	1/255	51	113	374	275	186	430	101	135.5	AS80	99.7	M8x10	
□ 100 (4)	100	390±3.0	315±3.0	315±3.0	114.7	1/56	84	114.76	1/87	57.15	110.4	1/203	61	144	462	341	228	500	129	174.5	AS100	119.7	M8x10	

Note) 1. Socket dimension is in accordance with the following standard;  
 JIS:JIS K6743,ASTM:ASTM D2467 and DIN2501 PN10/PN16 (ISO7005 PN10) for DIN  
 2. If a fixing insert bolt is used, it should not be screwed in beyond dimension e.

Client name		Date
Flange Standard	□JIS □ASTM □DIN	Approved by:
Operation Type	□Air To Open (Fail Close) □Air To Close (Fail Open)	
Oil Free	□YES	
ESLON Pneumatic Ball Valve Type S (A series) Single Action/Socket Type 65A-100A		
Drawing No.  BVMAS651HSE		
<b>SEKISUI SEKISUI CHEMICAL CO.,LTD.</b>		



No.	Part Name	Q'TY	Material/Type
1	Body	1	PVC
2	Stem	1	
3	Ball holder	1	
4	Ball	1	
5	Union nut	2	
6	Thread Socket	2	□FKM
7	Stem O-ring*	2	
8	Ball holder O-ring	1	□EPDM
9	Union O-ring	2	□FKM
10	Ball seat O-ring	2	
11	Ball Seat	2	PTFE
12	Screw	4	SUS304
13	Cylinder	1	AL6063
14	Connector	1	AL6061
15	Hexagon Nut	2	SUS304
16	Spring Washer	4	SUS304
17	Hexagon Bolt	2	SUS304
18	Yoke	1	GF-PP
19	Yoke	1	GF-PP
20	Insert Nut	2	C3601
21	Shaft	1	SCM435
22	Cover	2	AL12
23	Adjust Bolt	2	SUS304
24	Cover Bolt	8	SUS304
25	Cylinder Ventilation Plug	1	C3601+Cr Coated
26	Shaft Cover	1	PA+PE

\* Stem O-Ring material will be FKM+PTFE in case of Oil Free.

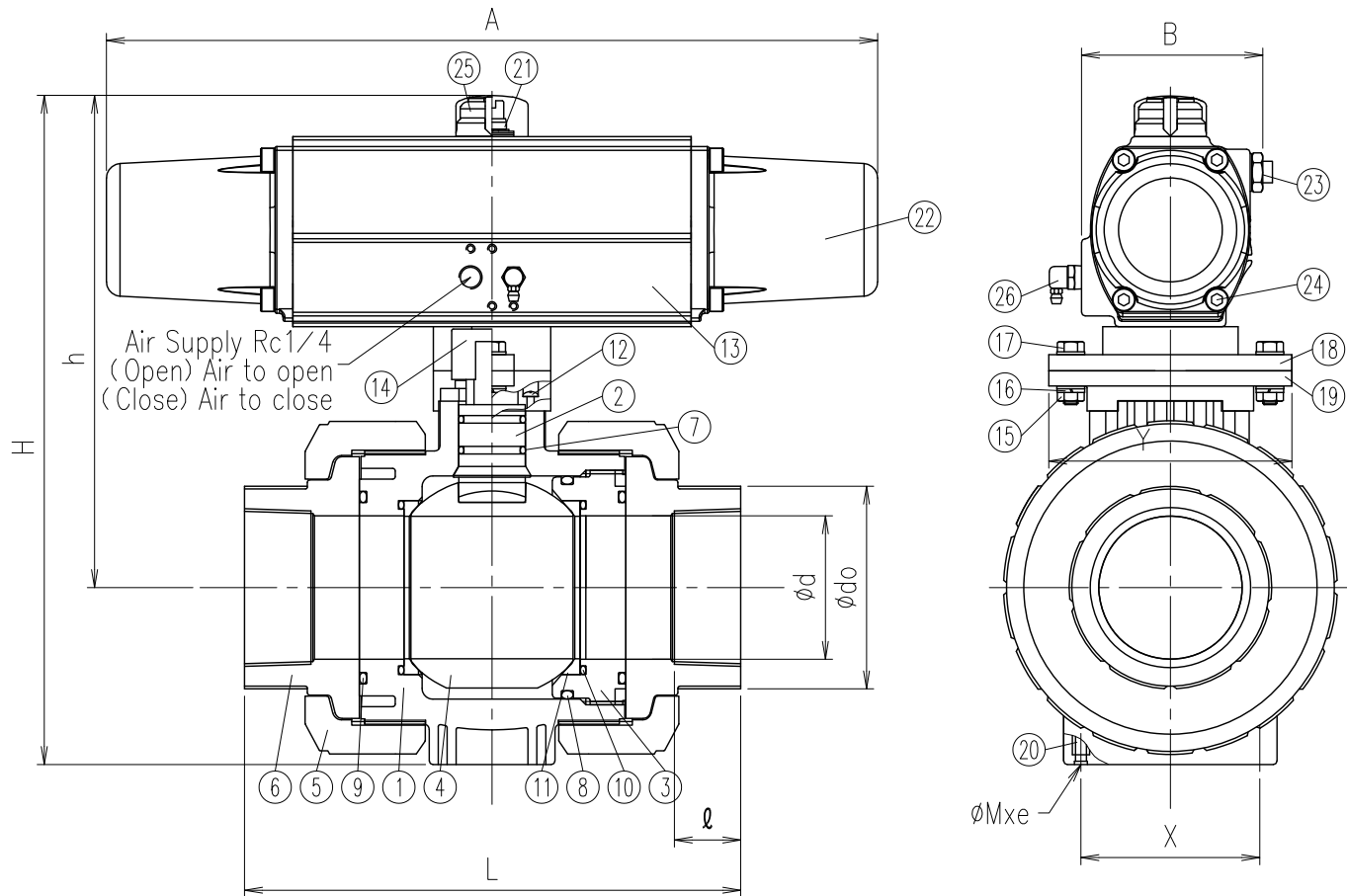
Dimension Table

Unit: mm

Size	A (B)	ød	L	Thread						ødo	H	h	øDu	A	B	Y	Air Supply	Actuator Type	Fixing Insert Nut	
				JIS (Rc) DIN (Rc)		ANSI (NPT)		DIN (Rp)											X	Mxe
				Rc	ℓ	NPT	ℓ	Rp	ℓ											
□ 15 (1/2)	15	97±3.0	1/2	18	1/2	18	1/2	18	30	175	147	49	133	75	68	Rc1/4	RS50	27	M5x8	
□ 20 (3/4)	20	117±3.0	3/4	18	3/4	18	3/4	18	35	184	152	59	133	75	68	Rc1/4	RS50	32	M5x8	
□ 25 (1)	25	128±3.0	1	23	1	23	1	23	44	199	162	67	133	75	86	Rc1/4	RS50	37	M5x8	
□ 32 (1·1/4)	32	146±3.0	1·1/4	23	1·1/4	23	1·1/4	23	54	213	170	81	257	75	86	Rc1/4	AS50	42	M5x8	
□ 40 (1·1/2)	40	163±3.0	1·1/2	25	1·1/2	25	1·1/2	25	65	245	193	98	257	75	117	Rc1/4	AS50	57	M6x11	
□ 50 (2)	50	188±3.0	2	30	2	30	2	30	77	279	216	120	314	89	117	Rc1/4	AS65	67	M6x11	

Note) 1. Thread dimension is in accordance with the following standard;  
 JIS:JIS B 0203,ANSI:ANSI B1.20.1 and DIN2501 PN10/PN16 (ISO7005 PN10) for DIN  
 2. If a fixing insert bolt is used, it should not be screwed in beyond dimension e.

Client name		Date
Standard	<input type="checkbox"/> Rc <input type="checkbox"/> NPT <input type="checkbox"/> Rp	Approved by:
Operation Type	<input type="checkbox"/> Air To Open (Fail Close) <input type="checkbox"/> Air To Close (Fail Open)	
Oil Free	<input type="checkbox"/> YES	
ESLON Pneumatic Ball Valve Type S (A series) Single Action/Thread Type 15A-50A		
Drawing No.  BVMAS1550NE		
<b>SEKISUI SEKISUI CHEMICAL CO.,LTD.</b>		



No.	Part Name	QTY	Material/Type
1	Body	1	
2	Stem	1	
3	Ball holder	1	□PVC
4	Ball	1	
5	Union nut	2	
6	Tread socket	2	
7	Stem O-ring*	2	
8	Ball holder O-ring	1	□EPDM
9	Union O-ring	2	□FKM
10	Ball seat O-ring	2	
11	Ball Seat	2	PTFE
12	Screw	4	SUS304
13	Cylinder	1	AL6063
14	Connector	1	AL6061
15	Hexagon Nut	2	SUS304
16	Washer	4	SUS304
17	Hexagon Bolt	2	SUS304
18	Yoke	1	GF-PP
19	Yoke	1	GF-PP
20	Insert Nut	2	C3601
21	Shaft	1	SCM435
22	Cover	2	AL12
23	Adjust Bolt	2	SUS304
24	Cover Bolt	8	SUS304
25	Shaft Cover	1	PA+PE
26	Cylinder Ventilation Plug	1	C3601+Cr Coated

\* Stem O-Ring material will be FKM+PTFE in case of Oil Free.

Dimension Table

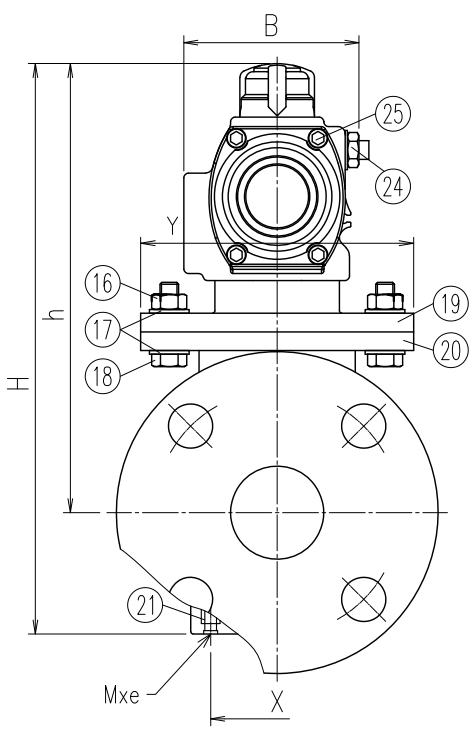
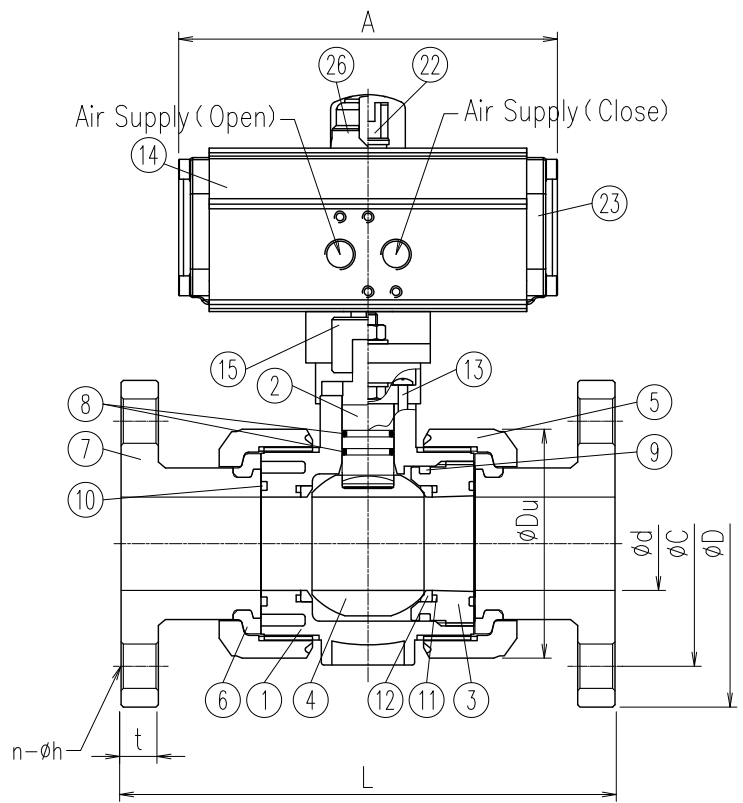
Unit: mm

Size	A (B)	ød	Thread						ℓ	ødo	H	h	øDu	A	B	Y	Actuator Type	Fixing Insert Nut	
			JIS ( Rc ) , DIN ( Rc )		ANSI ( NPT )		DIN ( Rp )											X	Mxe
			Rc	L	NPT	L	Rp	L											
□ 65 ( 2 1/2 )	65	2-1/2	227±3.0	2-1/2	212±3.0	2-1/2	212±3.0	32	96	345	264	150	430	101	135.5	AS80	81	M6x10	
□ 80 ( 3 )	80	3	278±3.0	3	261±3.0	3	261±3.0	37	113	374	275	186	430	101	135.5	AS80	99.7	M8x10	
□ 100 ( 4 )	100	4	330±3.0	4	315±3.0	4	315±3.0	45	144	462	341	228	500	129	174.5	AS100	119.7	M8x10	

Note) 1. Thread dimension is in accordance with the following standard;  
 JIS:JIS B 0203,ANSI:ANSI B1.20.1 and DIN2501 PN10/PN16 (ISO7005 PN10) for DIN  
 2. If a fixing insert bolt is used, it should not be screwed in beyond dimension e.

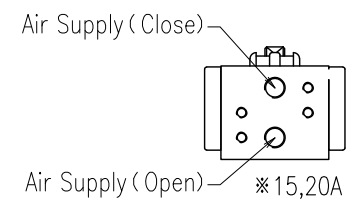
Client name		Date
Flange Standard	□JIS □ASTM □DIN	Approved by:
Operation Type	□Air To Open ( Fail Close ) □Air To Close ( Fail Open )	
Oil Free	□YES	
ESLON Pneumatic Ball Valve Type S ( A series ) Single Action / Thread Type 65A-100A		
Drawing No.  BVMAS651HNE		

**SEKISUI SEKISUI CHEMICAL CO.,LTD.**



No.	Part Name	Q'TY	Material/Type
1	Body	1	□PVC □HT (JIS: Brown) □CPVC (ANSI-DIN: Gray)
2	Stem	1	
3	Ball Holder	1	
4	Ball	1	
5	Union Nut	2	
6	Set Ring	2	□EPDM □FKM
7	Flange	2	
8	Stem O-Ring	2	
9	Ball holder O-Ring	1	□EPDM □FKM
10	Union O-Ring	2	
11	Ball Seat O-Ring	2	PTFE
12	Ball Seat	2	
13	Screw	4	SUS304
14	Cylinder	1	AL6063
15	Connector	1	AL6061
16	Hexagon Nut	2	SUS304
17	Washer	4	SUS304
18	Hexagon Bolt	2	SUS304
19	Upper Yoke	1	GF-PP
20	Lower Yoke	1	GF-PP
21	Insert Nut	2	C3601
22	Shaft	15-25A 32-50A	S10C SCM435
23	Cover	2	AL12
24	Adjust Bolt	2	SUS304
25	Cover Bolt	8	SUS304
26	Shaft Cover	1	PA+PE

\* Stem O-Ring material will be FKM+PTFE in case of Oil Free.



Dimension Table

Unit: mm

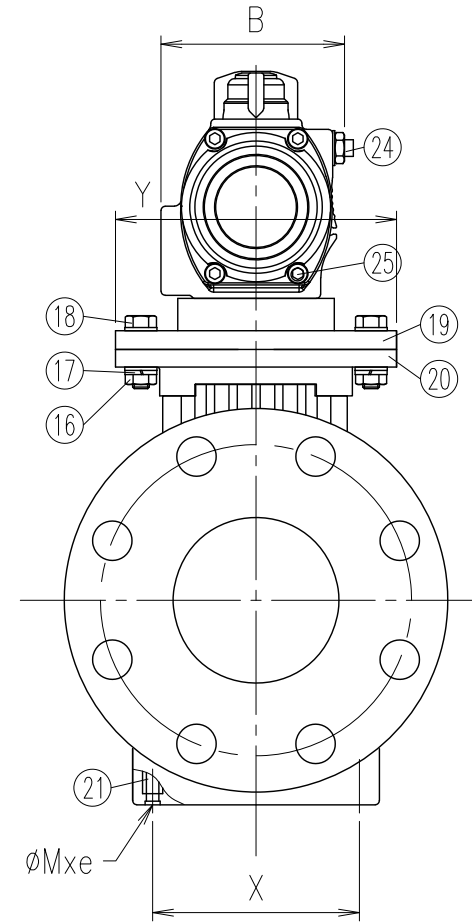
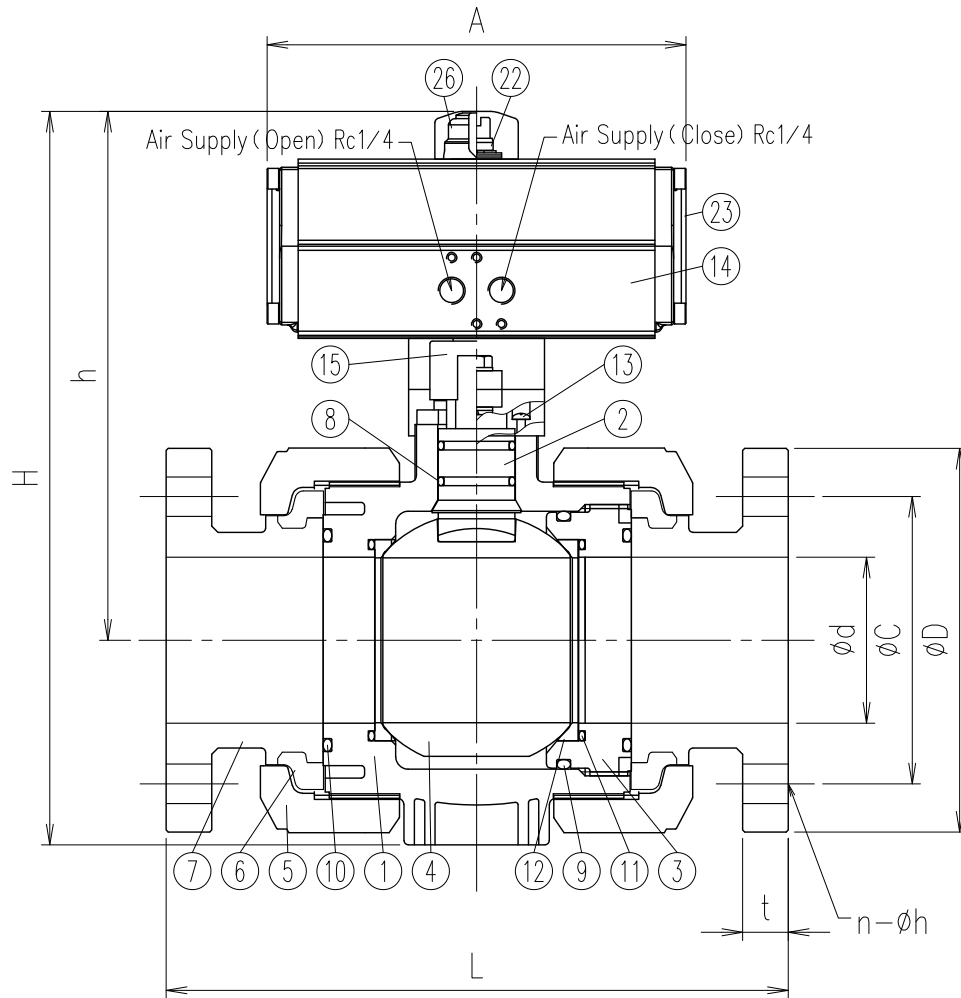
Size	A (B)	φd	L	FLANGE												H	h	φD <sub>u</sub>	A	B	Y	Ait supply	Actuator Type	Fixing Insert Nut	
				JIS10K				ANSI				DIN												X	Mxe
				φD	φC	n-φh	t	φD	φC	n-φh	t	φD	φC	n-φh	t										
□ 15 (1/2)	15	143±1.5	95	70	4-15	14	89	61	4-16	12	95	65	4-14	11	137	109	49	70	45	68	Rc1/8	RD32	27	M5x8	
□ 20 (3/4)	20	172±1.5	100	75	4-15	14	98	70	4-16	13	105	75	4-14	12	146	114	59	70	45	68	Rc1/8	RD32	32	M5x8	
□ 25 (1)	25	187±1.5	125	90	4-19	14	108	80	4-16	15	115	85	4-14	14	183	146	67	97	60	86	Rc1/8	RD40	37	M5x8	
□ 32 (1.1/4)	32	190±1.5	135	100	4-19	16	118	89	4-16	16	140	100	4-18	15	213	170	81	162	75	86	Rc1/4	AD50	42	M5x8	
□ 40 (1.1/2)	40	212±1.5	140	105	4-19	16	127	99	4-16	18	150	110	4-18	16	245	193	98	162	75	117	Rc1/4	AD50	57	M6x11	
□ 50 (2)	50	234±1.5	155	120	4-19	20	152	121	4-20	20	165	125	4-18	18	262	199	120	162	75	117	Rc1/4	AD50	67	M6x11	

Note) 1. Flange dimension is in accordance with the following standard;  
 JIS B 2220 for JIS10K, ANSI B16.5 for ANSI and DIN EN 1092-1 PN10 for DIN  
 2. If a fixing insert bolt is used, it should not be screwed in beyond dimension e.

Client name		Date
Socket Standard	□JIS10K □ASTM □DIN	Approved by:
Oil Free	□YES	

ESLON Pneumatic Ball Valve Type S (A series)  
 Double Action/Flange Type 15-50A  
 Drawing No. |BVMAD1550FE

**SEKISUI SEKISUI CHEMICAL CO.,LTD.**



No.	Part Name	Q'TY	Material/Type
1	Body	1	
2	Stem	1	□PVC
3	Ball Holder	1	□HT (JIS: Brown)
4	Ball	1	□CPVC
5	Union Nut	2	(ANSI-DIN: Gray)
6	Set Ring	2	
7	Flange	2	
8	Stem O-Ring	2	
9	Ball holder O-Ring	1	□EPDM
10	Union O-Ring	2	□FKM
11	Ball Seat O-Ring	2	
12	Ball Seat	2	PTFE
13	Screw	4	SUS304
14	Cylinder	1	AL6063
15	Connector	1	AL6061
16	Hexagon Nut	2	SUS304
17	Washer	4	SUS304
18	Hexagon Bolt	2	SUS304
19	Upper Yoke	1	GF-PP
20	Lower Yoke	1	GF-PP
21	Insert Nut	2	C3601
22	Shaft	1	SCM435
23	Cover	2	AL12
24	Adjust Bolt	2	SUS304
25	Cover Bolt	8	SUS304
26	Shaft Cover	1	PA+PE

\* Stem O-Ring material will be FKM+PTFE in case of Oil Free.

Dimension Table

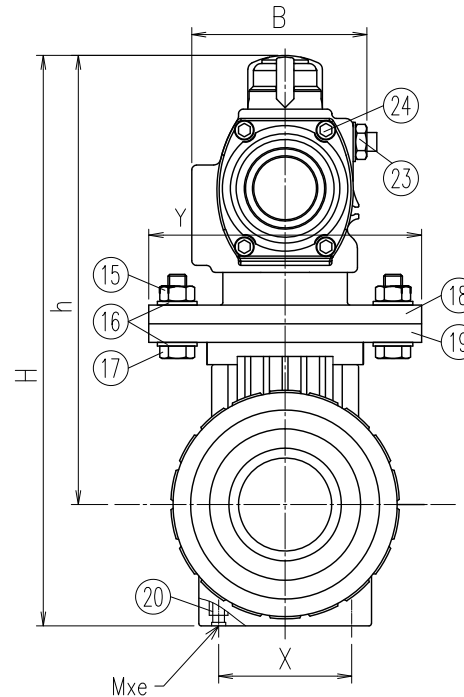
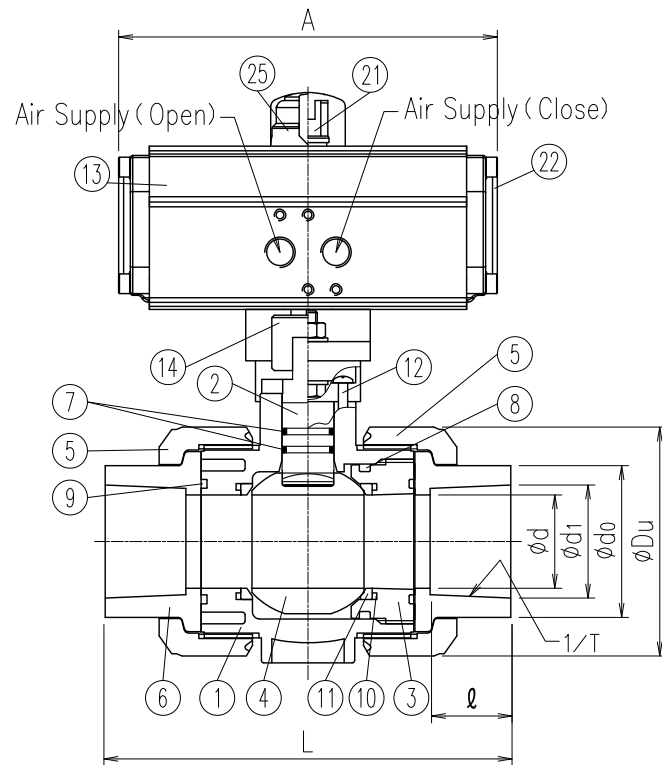
Unit: mm

SIZE	A (B)	Ød	L	FLANGE												H	h	ØDu	A	B	Y	Actuator Type	Fixing Insert Nut	
				JIS10K				ANSI				DIN											X	Mxe
				ØD	ØC	n-Øh	t	ØD	ØC	n-Øh	t	ØD	ØC	n-Øh	t									
□ 65 (2 1/2)	65	259±1.5	175	140	4-19	22	178	139.7	4-19	22.5	185	145	4-19	22	326	245	150	202	89	135.5	AD65	81	M6x10	
□ 80 (3)	80	304±1.5	185	150	8-19	22	191	152.4	8-19	24	200	160	8-19	23	355	256	186	202	89	135.5	AD65	99.7	M8x10	
□ 100 (4)	100	372±1.5	210	175	8-19	24	229	190.5	8-19	24	220	180	8-19	23	440	319	228	262	101	174.5	AD80	119.7	M8x10	

Note) 1. Flange dimension is in accordance with the following standard;  
 JIS B 2220 for JIS10K, ANSI B16.5 for ANSI and DIN EN 1092-1 PN10 for DIN  
 2. If a fixing insert bolt is used, it should not be screwed in beyond dimension e.

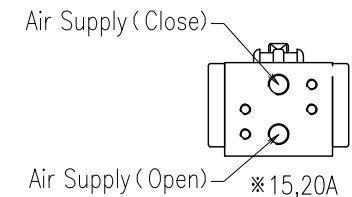
Client name		Date
Socket Standard	□JIS10K □ASTM □DIN	Approved by:
Oil Free	□YES	
ESLON Pneumatic Ball Valve Type S (A series) Double Action/Flange Type 65-100A		
Drawing No.  BVMAD651HFE		
<b>SEKISUI SEKISUI CHEMICAL CO.,LTD.</b>		





No.	Part Name	Q'TY	Material/Type
1	Body	1	
2	Stem	1	□PVC
3	Ball Holder	1	□HT (JIS: Brown)
4	Ball	1	□CPVC
5	Union Nut	2	(ANSI-DIN: Gray)
6	TS Socket	2	
7	Stem O-Ring	2	
8	Ball holder O-Ring	1	□EPDM
9	Union O-Ring	2	□FKM
10	Ball Seat O-Ring	2	
11	Ball Seat	2	PTFE
12	Screw	4	SUS304
13	Cylinder	1	AL6063
14	Connector	1	AL6061
15	Hexagon Nut	2	SUS304
16	Washer	4	SUS304
17	Hexagon Bolt	2	SUS304
18	Upper Yoke	1	GF-PP
19	Lower Yoke	1	GF-PP
20	Insert Nut	2	C3601
21	Shaft	15-25A	1 S10C
		32-50A	1 SCM435
22	Cover	2	AL12
23	Adjust Bolt	2	SUS304
24	Cover Bolt	8	SUS304
25	Shaft Cover	1	PA+PE

\* Stem O-Ring material will be FKM+PTFE in case of Oil Free.



Dimension Table

Unit: mm

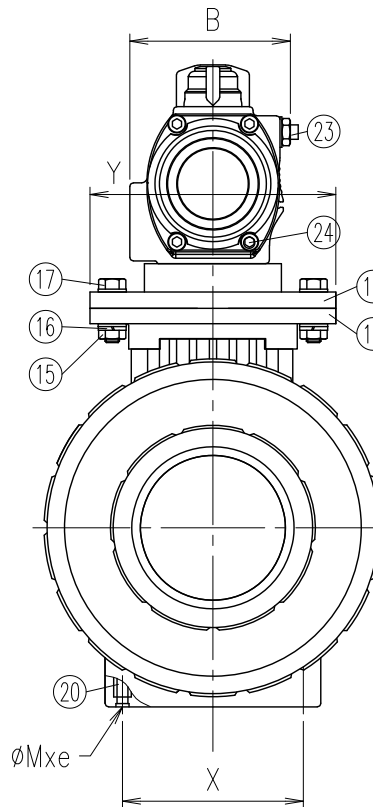
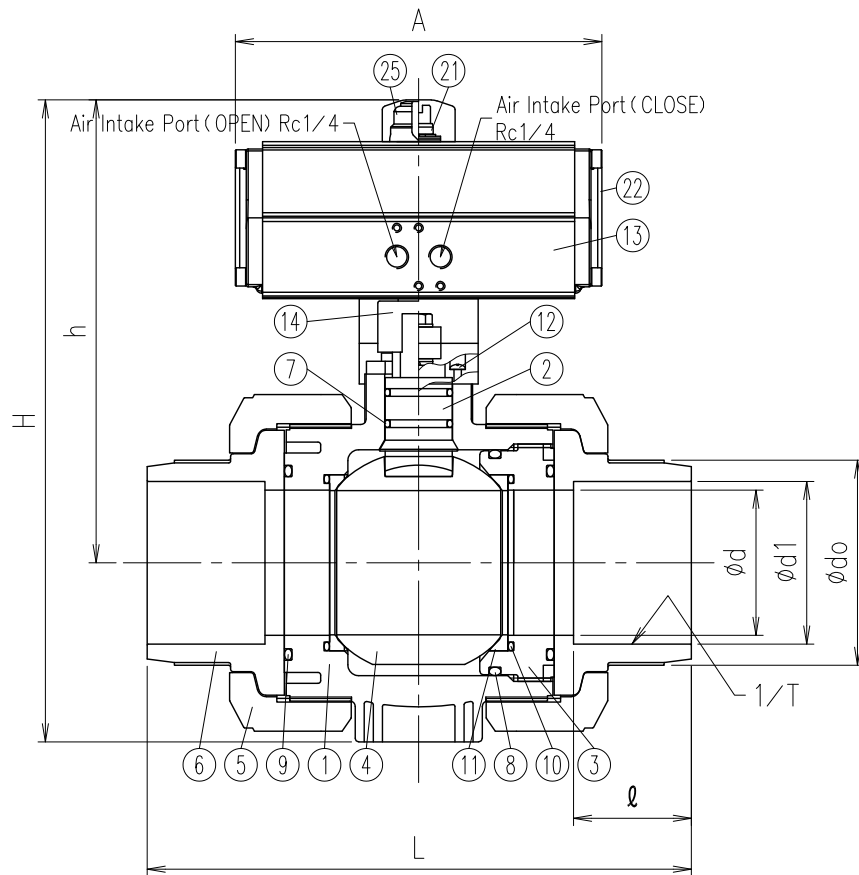
SIZE	A (B)	$\phi d$	L			SOCKET									$\phi do$	H	h	$\phi Du$	A	B	Y	Air Supply	Actuator Type	Fixing Insert Nut	
						JIS			ASTM			DIN												X	Mxe
			JIS	ASTM	DIN	$\phi d1$	1/T	l	$\phi d1$	1/T	l	$\phi d1$	1/T	l											
□ 15 (1/2)	15	109±3.0	103±3.0	92±3.0	22.3	1/37	22	21.54	1/72	22.22	20.3	1/65	16	33	137	109	49	70	45	68	Rc1/8	RD32	27	M5x8	
□ 20 (3/4)	20	132±3.0	119±3.0	107±3.0	26.3	1/42	25	26.87	1/85	25.40	25.3	1/80	19	35	146	114	59	70	45	68	Rc1/8	RD32	32	M5x8	
□ 25 (1)	25	143±3.0	133±3.0	121±3.0	32.3	1/43	29	33.65	1/75	28.58	32.3	1/95	22	44	183	146	67	97	60	86	Rc1/8	RD40	37	M5x8	
□ 32 (1·1/4)	32	166±3.0	147±3.0	137±3.0	38.4	1/37	32	42.42	1/84	31.75	40.3	1/115	26	54	213	170	81	162	75	86	Rc1/4	AD50	42	M5x8	
□ 40 (1·1/2)	40	175±3.0	171±3.0	161±3.0	48.5	1/38	35	48.56	1/78	34.93	50.3	1/140	31	66	245	193	98	162	75	117	Rc1/4	AD50	57	M6x11	
□ 50 (2)	50	203±3.0	188±3.0	189±3.0	60.6	1/34	38	60.63	1/83	38.10	63.3	1/175	38	77	262	199	120	162	75	117	Rc1/4	AD50	67	M6x11	

Note) 1. Socket dimension is in accordance with the following standard;  
 JIS:JIS K6743,ASTM:ASTM D2467 and DIN2501 PN10/PN16 (ISO7005 PN10) for DIN  
 2. If a fixing insert bolt is used, it should not be screwed in beyond dimension e.

Client name			Date
Socket Standard	<input type="checkbox"/> JIS	<input type="checkbox"/> ASTM	<input type="checkbox"/> DIN
Oil Free	<input type="checkbox"/> YES		
Approved by:			

ESLON Pneumatic Ball Valve Type S (A series)  
 Double Action/Socket Type 15-50A  
 Drawing No. |BVMAD1550SE

**SEKISUI SEKISUI CHEMICAL CO.,LTD.**



No.	Part Name	QTY	Material/Type
1	Body	1	
2	Stem	1	□PVC
3	Ball holder	1	□HT (JIS: Brown)
4	Ball	1	□CPVC
5	Union nut	2	(ANSI-DIN: Gray)
6	TS Socket	2	
7	Stem O-ring*	2	
8	Ball holder O-ring	1	□EPDM
9	Union O-ring	2	□FKM
10	Ball seat O-ring	2	
11	Ball Seat	2	PTFE
12	Screw	4	SUS304
13	Cylinder	1	AL6063
14	Connector	1	AL6061
15	Hexagon Nut	2	SUS304
16	Washer	4	SUS304
17	Hexagon Bolt	2	SUS304
18	Yoke	1	GF-PP
19	Yoke	1	GF-PP
20	Insert Nut	2	C3601
21	Shaft	1	SCM435
22	Cover	2	AL12
23	Adjust Bolt	2	SUS304
24	Cover Bolt	8	SUS304
25	Shaft Cover	1	PA+PE

\* Stem O-Ring material will be FKM+PTFE in case of Oil Free.

Dimension Table

Unit: mm

Size	A (B)	ød	L												TS Socket			ødo	H	h	øDu	A	B	Y	Actuator Type	Fixing Insert Nut				
			JIS			ASTM			DIN			ød1	1/T	ℓ	ød1	1/T	ℓ									ød1	1/T	ℓ	X	Mxe
			JIS	ASTM	DIN	ød1	1/T	ℓ	ød1	1/T	ℓ																			
□ 65 (2 1/2)	65	65	259±3.0	211±3.0	211±3.0	76.6	1/48	61	73.38	1/84	44.45	75.3	1/220	44	96	326	245	150	202	89	135.5	AD65	81	M6x10						
□ 80 (3)	80	80	311±3.0	262±3.0	263±3.0	89.6	1/49	64	89.31	1/78	47.63	90.3	1/255	51	113	355	256	186	202	89	135.5	AD65	99.7	M8x10						
□ 100 (4)	100	100	390±3.0	315±3.0	315±3.0	114.7	1/56	84	114.76	1/87	57.15	110.4	1/203	61	144	440	319	228	262	101	174.5	AD80	119.7	M8x10						

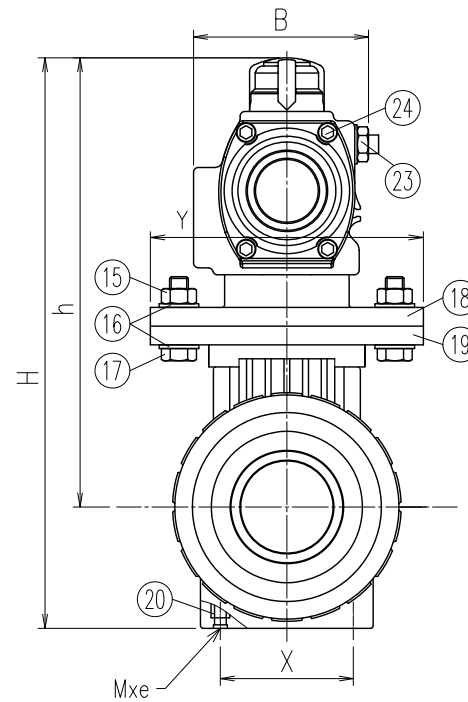
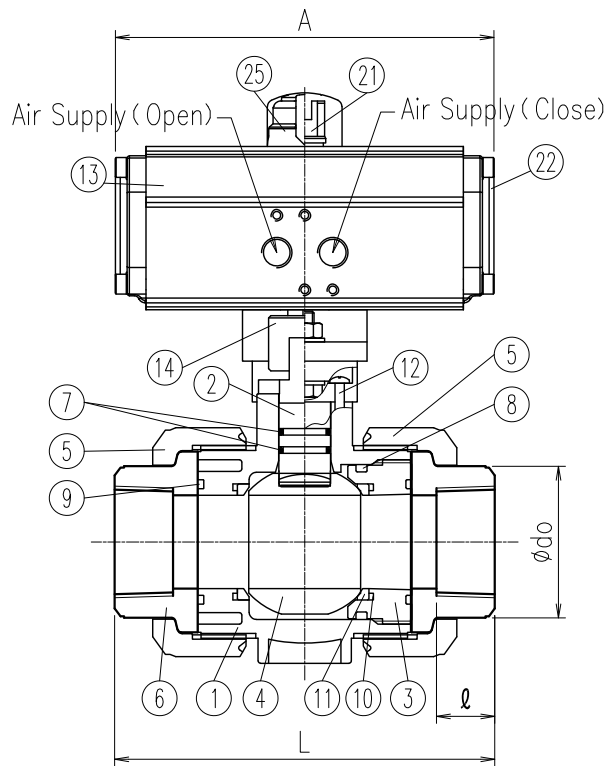
Note) 1. Socket dimension is in accordance with the following standard;  
 JIS:JIS K6743,ASTM:ASTM D2467 and DIN2501 PN10/PN16 (ISO7005 PN10) for DIN  
 2. If a fixing insert bolt is used, it should not be screwed in beyond dimension e.

Client name				Date
Flange Standard	<input type="checkbox"/> JIS	<input type="checkbox"/> ASTM	<input type="checkbox"/> DIN	Approved by:
Oil Free	<input type="checkbox"/> YES			

ESLON Pneumatic Ball Valve Type S (A series)  
 Double Action/Socket Type 65A-100A

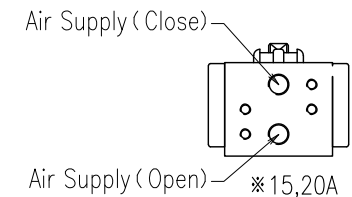
Drawing No. |BVMAD651HSE

**SEKISUI SEKISUI CHEMICAL CO.,LTD.**



No.	Part Name	Q'TY	Material/Type	
1	Body	1	□PVC	
2	Stem	1		
3	Ball Holder	1		
4	Ball	1		
5	Union Nut	2		
6	Thread Socket	2	□EPDM □FKM	
7	Stem O-Ring	2		
8	Ball holder O-Ring	1		
9	Union O-Ring	2		
10	Ball Seat O-Ring	2		
11	Ball Seat	2		PTFE
12	Screw	4		SUS304
13	Cylinder	1		AL6063
14	Connector	1		AL6061
15	Hexagon Nut	2		SUS304
16	Washer	4	SUS304	
17	Hexagon Bolt	2	SUS304	
18	Upper Yoke	1	GF-PP	
19	Lower Yoke	1	GF-PP	
20	Insert Nut	2	C3601	
21	Shaft	15-25A 32-50A	1 1	S10C SCM435
22	Cover	2	AL12	
23	Adjust Bolt	2	SUS304	
24	Cover Bolt	8	SUS304	
25	Shaft Cover	1	PA+PE	

\* Stem O-Ring material will be FKM+PTFE in case of Oil Free.



Dimension Table

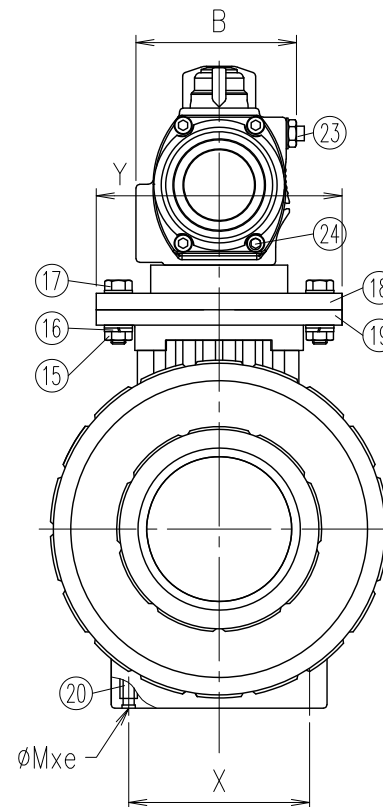
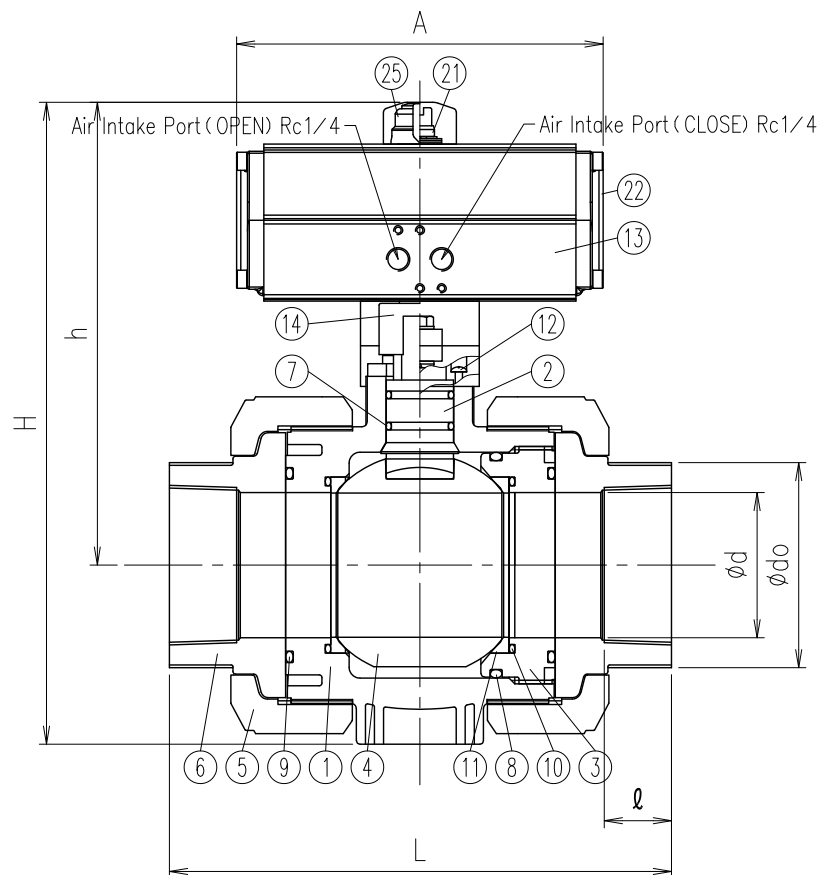
Unit: mm

Size	A (B)	$\phi d$	L	Thread						$\phi do$	H	h	$\phi Du$	A	B	Y	Air Supply	Actuator Type	Fixing Insert Nut	
				JIS (Rc) DIN (Rc)		ANSI (NPT)		DIN (Rp)											X	Mxe
				Rc	$\ell$	NPT	$\ell$	Rp	$\ell$											
□ 15 (1/2)	15	97±3.0	1/2	18	1/2	18	1/2	18	30	137	109	49	70	45	68	Rc1/8	RD32	27	M5x8	
□ 20 (3/4)	20	117±3.0	3/4	18	3/4	18	3/4	18	35	146	114	59	70	45	68	Rc1/8	RD32	32	M5x8	
□ 25 (1)	25	128±3.0	1	23	1	23	1	23	44	183	146	67	97	60	86	Rc1/8	RD40	37	M5x8	
□ 32 (1·1/4)	32	146±3.0	1·1/4	23	1·1/4	23	1·1/4	23	54	213	170	81	162	75	86	Rc1/4	AD50	42	M5x8	
□ 40 (1·1/2)	40	163±3.0	1·1/2	25	1·1/2	25	1·1/2	25	65	245	193	98	162	75	117	Rc1/4	AD50	57	M6x11	
□ 50 (2)	50	188±3.0	2	30	2	30	2	30	77	262	199	120	162	75	117	Rc1/4	AD50	67	M6x11	

Note) 1. Thread dimension is in accordance with the following standard;  
 JIS:JIS B 0203,ANSI:ANSI B1.20.1 and DIN2501 PN10/PN16 (ISO7005 PN10) for DIN  
 2. If a fixing insert bolt is used, it should not be screwed in beyond dimension e.

Client name			Date
Standard	<input type="checkbox"/> Rc	<input type="checkbox"/> NPT	<input type="checkbox"/> Rp
Oil Free	<input type="checkbox"/> YES		
Approved by:			

ESLON Pneumatic Ball Valve Type S (A series)  
 Double Action/Thread Type 15~50A  
 Drawing No. |BVMAD1550NE  
**SEKISUI SEKISUI CHEMICAL CO.,LTD.**



No.	Part Name	Q'TY	Material/Type
1	Body	1	
2	Stem	1	
3	Ball holder	1	■PVC
4	Ball	1	
5	Union nut	2	
6	Thread Socket	2	
7	Stem O-ring*	2	
8	Ball holder O-ring	1	□EPDM
9	Union O-ring	2	□FKM
10	Ball seat O-ring	2	
11	Ball Seat	2	PTFE
12	Screw	4	SUS304
13	Cylinder	1	AL6063
14	Connector	1	AL6061
15	Hexagon Nut	2	SUS304
16	Washer	4	SUS304
17	Hexagon Bolt	2	SUS304
18	Yoke	1	GF-PP
19	Yoke	1	GF-PP
20	Insert Nut	2	C3601
21	Shaft	1	SCM435
22	Cover	2	AL12
23	Adjust Bolt	2	SUS304
24	Cover Bolt	8	SUS304
25	Shaft Cover	1	PA+PE

\* Stem O-Ring material will be FKM+PTFE in case of Oil Free.

Dimension Table

Unit: mm

Size	A (B)	$\phi d$	Thread						$\ell$	$\phi do$	H	h	$\phi Du$	A	B	Y	Actuator Type	Fixing Insert Nut	
			JIS (Rc) , DIN (Rc)		ANSI (NPT)		DIN (Rp)											X	Mxe
			Rc	L	NPT	L	Rp	L											
□ 65 (2 1/2)	65	2 1/2	227±3.0	2 1/2	212±3.0	2 1/2	212±3.0	32	96	326	245	150	202	89	135.5	AD65	81	M6x10	
□ 80 (3)	80	3	278±3.0	3	261±3.0	3	261±3.0	37	113	355	256	186	202	89	135.5	AD65	99.7	M8x10	
□ 100 (4)	100	4	330±3.0	4	315±3.0	4	315±3.0	45	144	440	319	228	262	101	174.5	AD80	119.7	M8x10	

- Note) 1. Thread dimension is in accordance with the following standard;  
 JIS:JIS B 0203,ANSI:ANSI B1.20.1 and DIN2501 PN10/PN16 (ISO7005 PN10) for DIN  
 2. If a fixing insert bolt is used, it should not be screwed in beyond dimension e.

Client name			Date
Standard	<input type="checkbox"/> JIS <input type="checkbox"/> ASTM <input type="checkbox"/> DIN	Approved by:	
Oil Free	<input type="checkbox"/> YES		

ESLON Pneumatic Ball Valve Type S (A series)  
 Double Action/Thread Type 65A-100A  
 Drawing No. |BVMAD651HNE

**SEKISUI SEKISUI CHEMICAL CO.,LTD.**