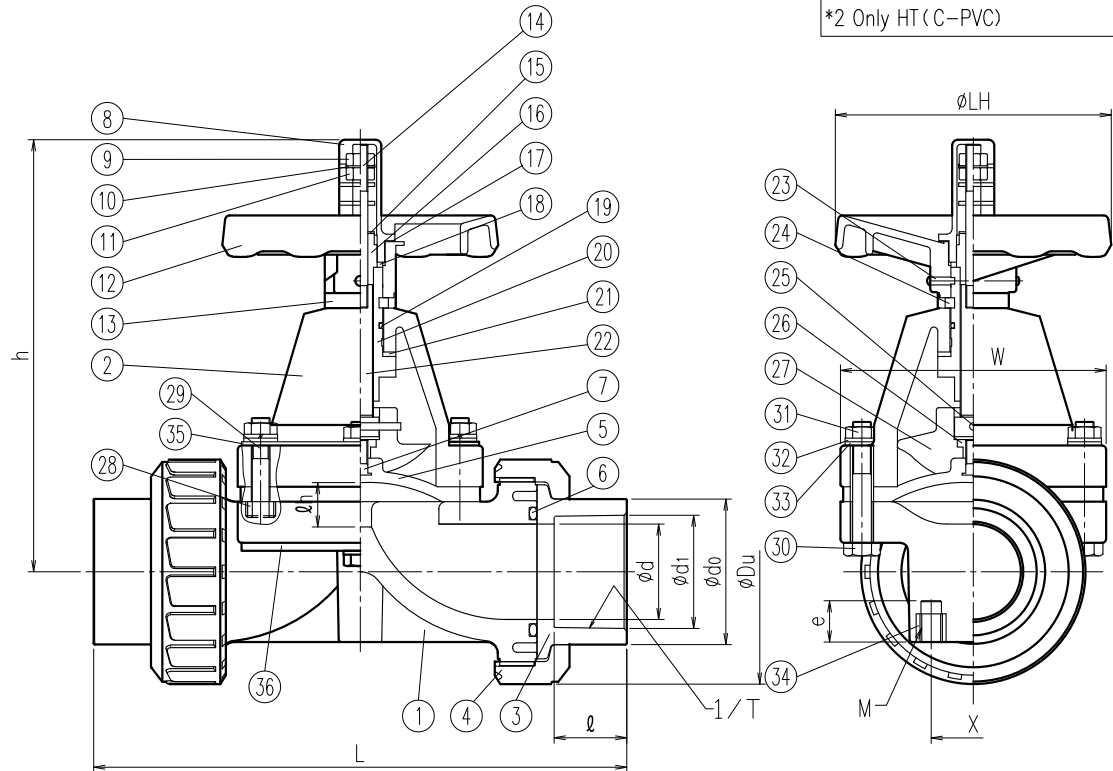


No.	Part Name	Q'TY	Material/Type	No.	Part Name	Q'TY	Material/Type
32	Spring Washer	-	SUS304	1	Body	1	□PVC
33	Washer	-	SUS304	2	Bonnet	1	□HT (JIS: Brown)
34	Fixing Insert Nut	2	C3604	3	Socket	2	□C-PVC
35	Reinforcing Plate-B	1	SUS304	4	Union Nut	2	(ASTM, DIN: Gray)
36	Reinforcing Plate-M	2	SUS304	5	Diaphragm	1	□EPDM □FKM □PTFE+EPDM □PTFE+PVDF+EPDM

*1 Titanium Palladium is available on request
*2 Only HT (C-PVC)



6	O-Ring	2	□EPDM □FKM
7	Diaphragm Stud Bolt	1	SUS304 *1
8	Indicator Cover	1	PC
9	Lock Nut	1	SUS304
10	Washer	1	SUS304
11	Stopper Nut	1	SUS304
12	Handle	1	ABS
13	Collar	1	PE
14	Indicator Stud Bolt	1	SUS304
15	Stopper Washer	1	POM
16	Sleeve Head	1	C3604
17	Handle Sticker	1	PVC
18	Stem Packing	1	NBR
19	O-Ring	1	NBR
20	Stem Sleeve	1	C3604
21	Thrust Washer	1	PTFE
22	Stem Spindle	1	C3604
23	Retaining Screw	2	SUS304
24	Retaining Ring	1	PP
25	Pin	1	SUS304 *1
26	Connecting Nut	1	C3604 *1
27	Compressor	1	GF-PP
28	Insert Nut	-	C3604
29	Stud Bolt	-	SUS304
30	Hexagonal Bolt	-	SUS304
31	Hexagonal Nut	-	SUS304

Dimension Table

Unit: mm

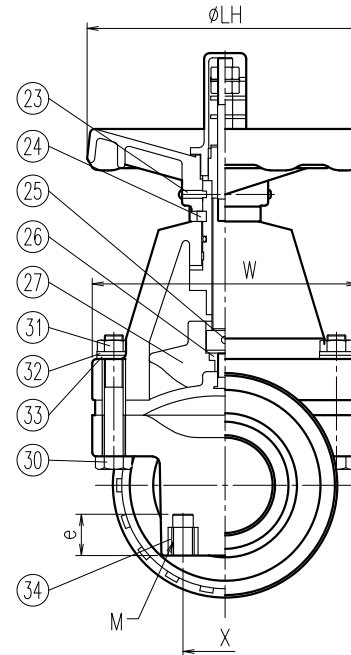
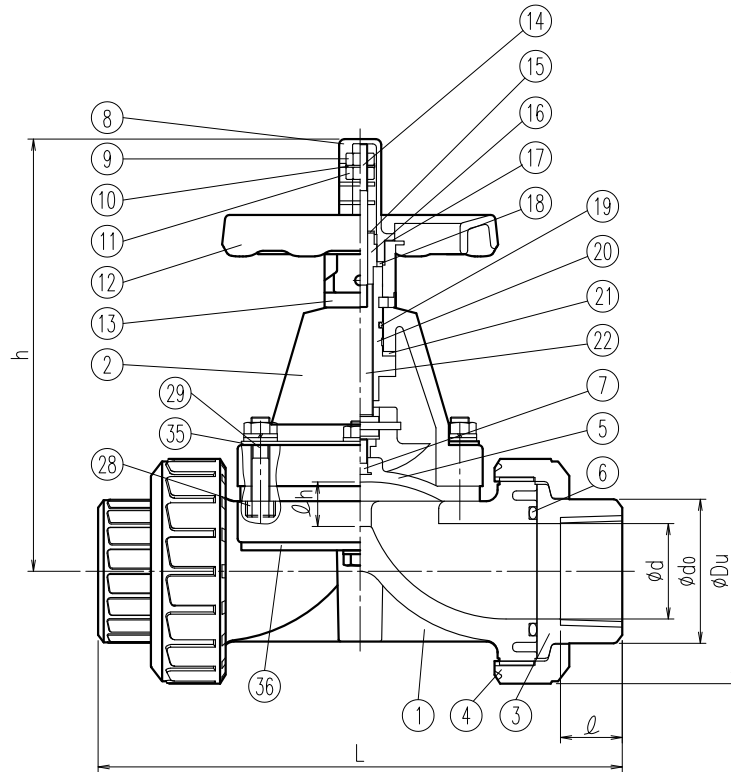
Size	A(B)	φd	lh	JIS				ASTM				DIN				φdo	h	φDu	W	φLH	Fixing Insert Nut	
				L	φd1	1/T	ℓ	L	φd1	1/T	ℓ	L	φd1	1/T	ℓ						X	Mxe
□ 15(1/2)	15	10	144±3.0	22.3	1/37	22	137±3.0	21.54	1/72	22.22	126±3.0	20.3	1/65	16	33	123	49	76	80	25	M6x12	
□ 20(3/4)	20	12	172±3.0	26.3	1/42	25	158±3.0	26.87	1/85	25.40	146±3.0	25.3	1/80	19	35	134	59	82	80	25	M6x12	
□ 25(1)	25	15	187±3.0	32.3	1/43	29	177±3.0	33.65	1/75	28.58	165±3.0	32.3	1/95	22	44	146	67	90	80	25	M6x12	
□ 32(1·1/4)	32	15	210±3.0	38.4	1/37	32	190±3.0	42.42	1/84	31.75	179±3.0	40.3	1/115	26	54	146	81	90	80	25	M6x12	
□ 40(1·1/2)	40	20	262±3.0	48.5	1/38	35	258±3.0	48.56	1/78	34.93	247±3.0	50.3	1/140	31	66	209	98	122	125	45	M8x12	
□ 50(2)	50	27	298±3.0	60.6	1/34	38	283±3.0	60.63	1/83	38.10	284±3.0	63.3	1/175	38	77	234	120	148	148	45	M8x12	

1. Socket dimension is in accordance with the following standard;
ASTM D2467 for ASTM and DIN8063 for DIN
2. If a fixing insert bolt is used, it should not be screwed in beyond dimension e.

Client name			Date
Socket	<input type="checkbox"/> JIS <input type="checkbox"/> ASTM <input type="checkbox"/> DIN	Approved by:	
Oil Free	<input type="checkbox"/> YES		
ESLON Diaphragm Valve			
Socket Type / Size 15 (1/2") - 50 (2")			
Drawing No.	DV1550SE		
SEKISUI SEKISUI CHEMICAL CO.,LTD.			

No.	Part Name	Q'TY	Material/Type	No.	Part Name	Q'TY	Material/Type
32	Spring Washer	-	SUS304	1	Body	1	Body, Screw, Union Nut/Bonnet
33	Washer	-	SUS304	2	Bonnet	1	<input type="checkbox"/> PVC /PVC
34	Fixing Insert Nut	2	C3604	3	Thread	2	<input type="checkbox"/> PVDF/GFPP
35	Reinforcing Plate-B *2	1	SUS304	4	Union Nut	2	<input type="checkbox"/> PVDF/PVDF
36	Reinforcing Plate-M *2	2	SUS304	5	Diaphragm	1	<input type="checkbox"/> EPDM <input type="checkbox"/> FKM <input type="checkbox"/> PTFE+EPDM <input type="checkbox"/> PTFE+PVDF+EPDM

*1 Titanium Palladium is available on request
*2 Only PVDF Body



6	O-Ring	2	<input type="checkbox"/> EPDM <input type="checkbox"/> FKM
7	Diaphragm Stud Bolt	1	SUS304 *1
8	Indicator Cover	1	PC
9	Lock Nut	1	SUS304
10	Washer	1	SUS304
11	Stopper Nut	1	SUS304
12	Handle	1	ABS
13	Collar	1	PE
14	Indicator Stud Bolt	1	SUS304
15	Stopper Washer	1	POM
16	Sleeve Head	1	C3604
17	Handle Sticker	1	PVC
18	Stem Packing	1	NBR
19	O-Ring	1	NBR
20	Stem Sleeve	1	C3604
21	Thrust Washer	1	PTFE
22	Stem Spindle	1	C3604
23	Retaining Screw	2	SUS304
24	Retaining Ring	1	PP
25	Pin	1	SUS304 *1
26	Connecting Nut	1	C3604 *1
27	Compressor	1	GF-PP
28	Insert Nut	-	C3604 (PVDF: SUS304)
29	Stud Bolt	-	SUS304
30	Hexagonal Bolt	-	SUS304
31	Hexagonal Nut	-	SUS304

Dimension Table

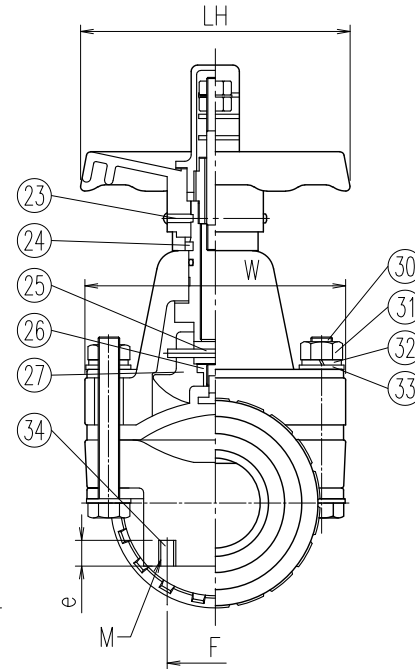
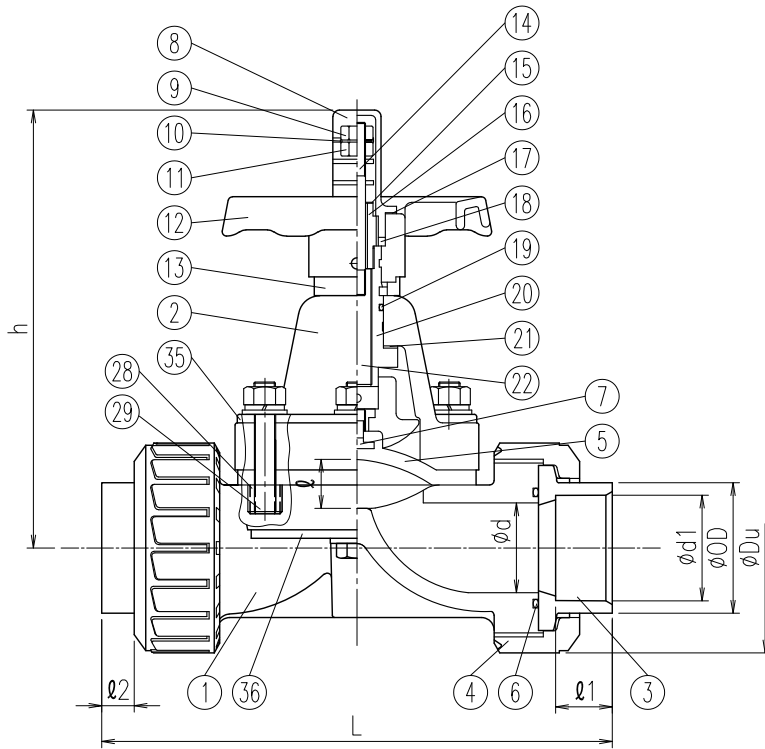
Unit:mm

Size	A(B)	φd	lh	JIS:Rc				ANSI:NPT			DIN:Rp			h	φDu	W	φLH	Fixing Insert Nut	
				L	PVC	PVDF	φdo	L	φdo	L	φdo	L	φdo					X	Mxe
<input type="checkbox"/> 15 (1/2)	15	10	133±3.0	134±3.0	18	20	30	133±3.0	18	30	133±3.0	18	30	128	49	76	80	25	M6x12
<input type="checkbox"/> 20 (3/4)	20	12	157±3.0	157±3.0	18	22	35	157±3.0	18	35	157±3.0	18	35	141	59	82	80	25	M6x12
<input type="checkbox"/> 25 (1)	25	15	173±3.0	180±3.0	23	25	44	173±3.0	23	44	173±3.0	23	44	146	67	90	80	25	M6x12
<input type="checkbox"/> 32 (1·1/4)	31	15	188±3.0	191±3.0	23	25	54	188±3.0	23	54	188±3.0	23	54	146	81	90	80	25	M6x12
<input type="checkbox"/> 40 (1·1/2)	40	20	248±3.0	254±3.0	25	28	65	248±3.0	25	65	248±3.0	25	65	208	98	122	125	45	M8x12
<input type="checkbox"/> 50 (2)	50	27	280±3.0	290±3.0	30	30	77	280±3.0	30	77	280±3.0	30	77	239	120	148	148	45	M8x12

1. Thread dimension is in accordance with the following standard; JIS B0203, ANSI B1.20.1, DIN2999
2. If a fixing insert bolt is used, it should not be screwed in beyond dimension e.

Client name			Date
Thread	<input type="checkbox"/> Rc <input type="checkbox"/> NPT <input type="checkbox"/> Rp	Approved by:	
Oil Free	<input type="checkbox"/> YES		
ESLON Diaphragm Valve			
Thread Type / Size 15 (1/2") - 50 (2")			
Drawing No.	DV1550NE		
SEKISUI SEKISUI CHEMICAL CO.,LTD.			

No.	Part Name	Q'TY	Material/Type	No.	Part Name	Q'TY	Material/Type
31	Hexagonal Nut	-	SUS304	1	Body	1	PP
32	Spring Washer	-	SUS304	2	Bonnet	1	
33	Washer	-	SUS304	3	Socket	2	
34	Fixing Insert Nut	2	C3604	4	Union Nut	2	
35	Reinforcing Plate-B	1	SUS304	5	Diaphragm	1	□EPDM
36	Reinforcing Plate-M	2	SUS304				□FKM
*1 Titanium Palladium is available on request							□PTFE+EPDM
							□PTFE+PVDF+EPDM
				6	O-Ring	2	□EPDM
							□FKM
				7	Diaphragm Stud Bolt	1	SUS304 *1
				8	Indicator Cover	1	PC
				9	Lock Nut	1	SUS304
				10	Washer	1	SUS304
				11	Stopper Nut	1	SUS304
				12	Handle	1	ABS
				13	Collar	1	PE
				14	Indicator Stud Bolt	1	SUS304
				15	Stopper Washer	1	POM
				16	Sleeve Head	1	C3604
				17	Handle Sticker	1	PVC
				18	Stem Packing	1	NBR
				19	O-Ring	1	NBR
				20	Stem Sleeve	1	C3604
				21	Thrust Washer	1	PTFE
				22	Stem Spindle	1	C3604
				23	Retaining Screw	2	SUS304
				24	Retaining Ring	1	PP
				25	Pin	1	SUS304 *1
				26	Connecting Nut	1	C3604 *1
				27	Compressor	1	GF-PP
				28	Insert Nut	-	C3604
				29	Stud Bolt	-	SUS304
				30	Hexagonal Bolt	-	SUS304



Dimension Table

Unit: mm

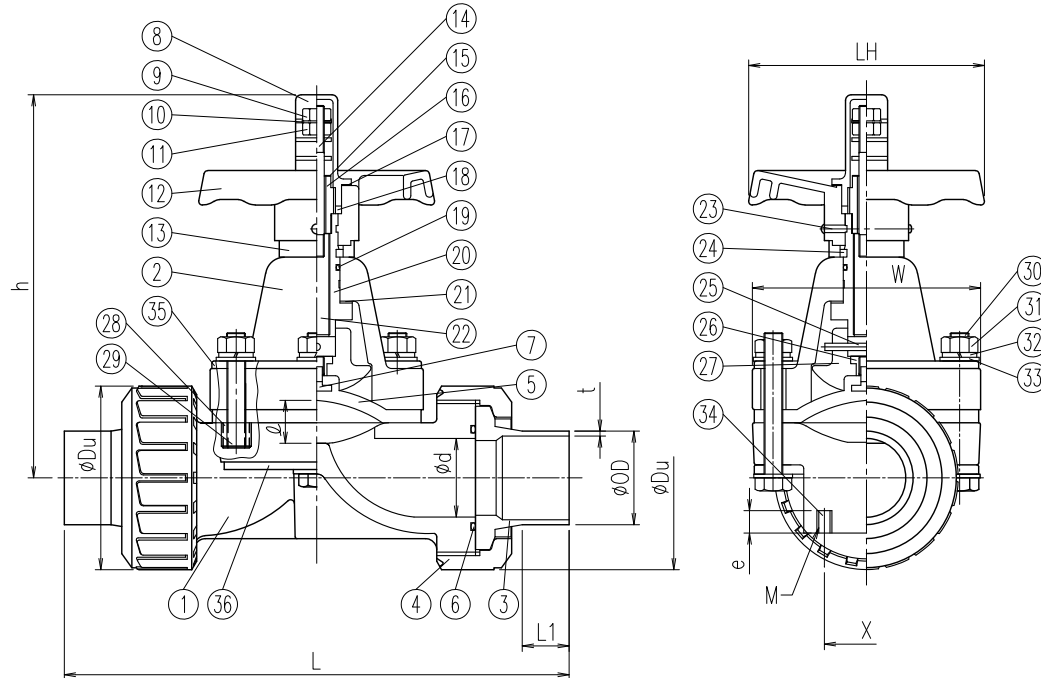
Size	A(B)	φd	ℓ	L	Socket				h	φDu	W	φLH	Fixing Insert Nut	
					φd1	ℓ1	ℓ2	φOD					X	Mxe
□ 15(1/2)	15	10	137	19.5	17.5	12.0	27	120	48	74	80	25	M6x12	
□ 20(3/4)	20	12	153	24.5	19.0	13.0	33	132	59	80	80	25	M6x12	
□ 25(1)	25	15	171	31.5	21.0	14.5	41	146	65	90	80	25	M6x12	
□ 32(1-1/4)	31	15	183	39.4	23.5	18.0	50	146	81	90	80	25	M6x12	
□ 40(1-1/2)	40	20	245	49.4	26.5	16.0	61	206	96	118	125	45	M8x12	
□ 50(2)	50	27	278	62.5	30.5	20.0	76	231	119	138	148	45	M8x12	

1. If a fixing insert bolt is used, it should not be screwed in beyond dimension e.

Client name		Date
Oil Free	<input type="checkbox"/> YES	Approved by:

ESLON Diaphragm Valve Socket Weiling 15-50A	
Drawing No.	DV1550PE
SEKISUI SEKISUI CHEMICAL CO.,LTD.	

No.	Part Name	Q'TY	Material/Type	No.	Part Name	Q'TY	Material/Type
31	Hexagonal Nut	-	SUS304	1	Body	1	Body, Butt Spigot, Union Nut/Bonnet □PP/PP
32	Spring Washer	-	SUS304	2	Bonnet	1	□PP/PP
33	Washer	-	SUS304	3	Butt Spigot	2	□PVDF/GFPP
34	Fixing Insert Nut	2	C3604	4	Union Nut	2	□PVDF/PVDF
35	Reinforcing Plate-B	1	SUS304	5	Diaphragm	1	□EPDM □FKM □PTFE+EPDM □PTFE+PVDF+EPDM
36	Reinforcing Plate-M	2	SUS304				
*1 Titanium Palladium is available on request							



6	O-Ring	2	□EPDM □FKM
7	Diaphragm Stud Bolt	1	SUS304 *1
8	Indicator Cover	1	PC
9	Lock Nut	1	SUS304
10	Washer	1	SUS304
11	Stopper Nut	1	SUS304
12	Handle	1	ABS
13	Collar	1	PE
14	Indicator Stud Bolt	1	SUS304
15	Stopper Washer	1	POM
16	Sleeve Head	1	C3604
17	Handle Sticker	1	PVC
18	Stem Packing	1	NBR
19	O-Ring	1	NBR
20	Stem Sleeve	1	C3604
21	Thrust Washer	1	PTFE
22	Stem Spindle	1	C3604
23	Retaining Screw	2	SUS304
24	Retaining Ring	1	PP
25	Pin	1	SUS304 *1
26	Connecting Nut	1	C3604 *1
27	Compressor	1	GF-PP
28	Insert Nut	-	SUS304
29	Stud Bolt	-	SUS304
30	Hexagonal Bolt	-	SUS304

Dimension Table

Unit: mm

Size	A (B)	ød	ℓ	L	Butt Spigot						h	øDu	W	øLH	Fixing Insert Nut	
					PP			PVDF							X	Mxe
					L1	øOD	t	L1	øOD	t						
□ 15 (1/2)	15	15	10	176	30	20	1.9	30	20	1.9	120	48	74	80	25	M6x12
□ 20 (3/4)	20	20	12	189	24	25	2.3	24	25	1.9	132	59	80	80	25	M6x12
□ 25 (1)	25	25	15	203	24	32	2.9	24	32	2.4	146	65	90	80	25	M6x12
□ 32 (1·1/4)	31	31	15	210	25	40	2.4	25	40	2.4	146	81	90	80	25	M6x12
□ 40 (1·1/2)	40	40	20	272	24	50	3.0	24	50	3.0	206	96	118	125	45	M8x12
□ 50 (2)	50	50	27	306	28	63	3.0	28	63	3.0	231	119	138	148	45	M8x12

- Butt Spigot dimension is in accordance with the following standard;PP:DIN8077/PVDF:ISO10931
- If a fixing insert bolt is used, it should not be screwed in beyond dimension e.

Client name		Date
Oil Free	<input type="checkbox"/> YES	Approved by:

ESLON Diaphragm Valve Butt Spigot 15-50A	
Drawing No.	DV1550BE
SEKISUI SEKISUI CHEMICAL CO.,LTD.	