

No.	Part Name	QTY	Material/Type
1	Body	1	<input type="checkbox"/> PVC <input type="checkbox"/> HT <input type="checkbox"/> PP <input type="checkbox"/> PVDF
2	Diaphragm	1	<input type="checkbox"/> EPDM <input type="checkbox"/> PTFE+EPDM <input type="checkbox"/> PTFE+PVDF+EPDM
3	Cover	1	GF-PA
4	Spring	-	Spring Steel
5	Indicator	1	PA
6	Shaft	1	SS
7	Piston	1	AL
8	Housing	1	GF-PA
9	Seal Ring	1	NBR
10	Connector	1	SUS316
11	Diaphragm Stud Bolt	1	(EPDM) SS400+Cr Plated (PTFE) SUS304
12	Compressor	1	GFPP
13	Stud Bolt	4	SUS304
14	Insert Nut	4	C3604
15	Hexagon Nut	8	SUS304
16	Spring Washer	8	SUS304
17	Washer	12	SUS304
		8	SUS304
18	Hexagon Head Bolt	4	SUS304
19	Bonnet	1	AC-7
20	Bonnet	1	AC-7
21	Air Intake Port	2	SUS303 (G1/4)
22	Hexagon Head Bolt	4	SUS304
23	Spring Washer	4	SUS304
24	Washer	8	SUS304
25	Hexagon Nut	4	SUS304
26	Ventilation Plug	1	SUS304
27	Indicator Cover	1	PC
28	Reinforced Plate ※	2	SUS304

※Only HT, PP, PVDF

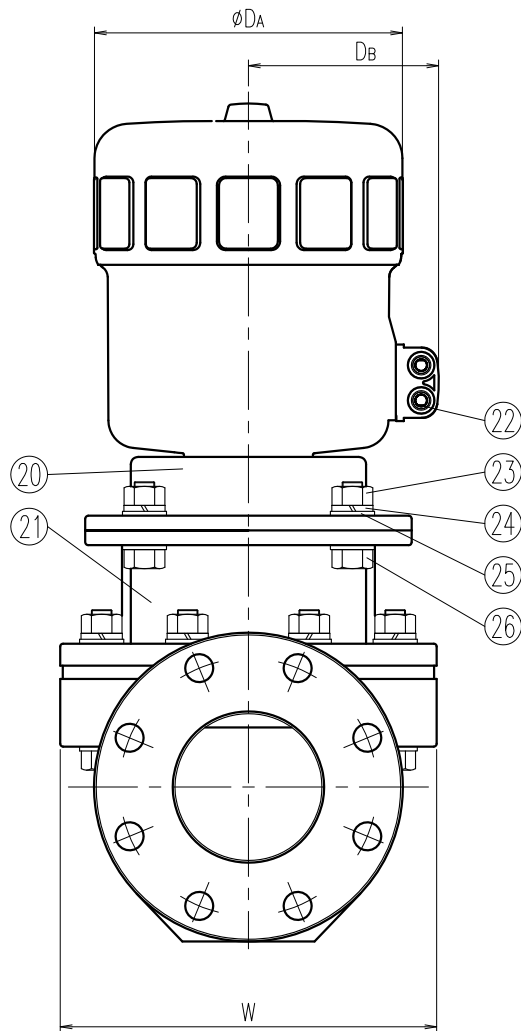
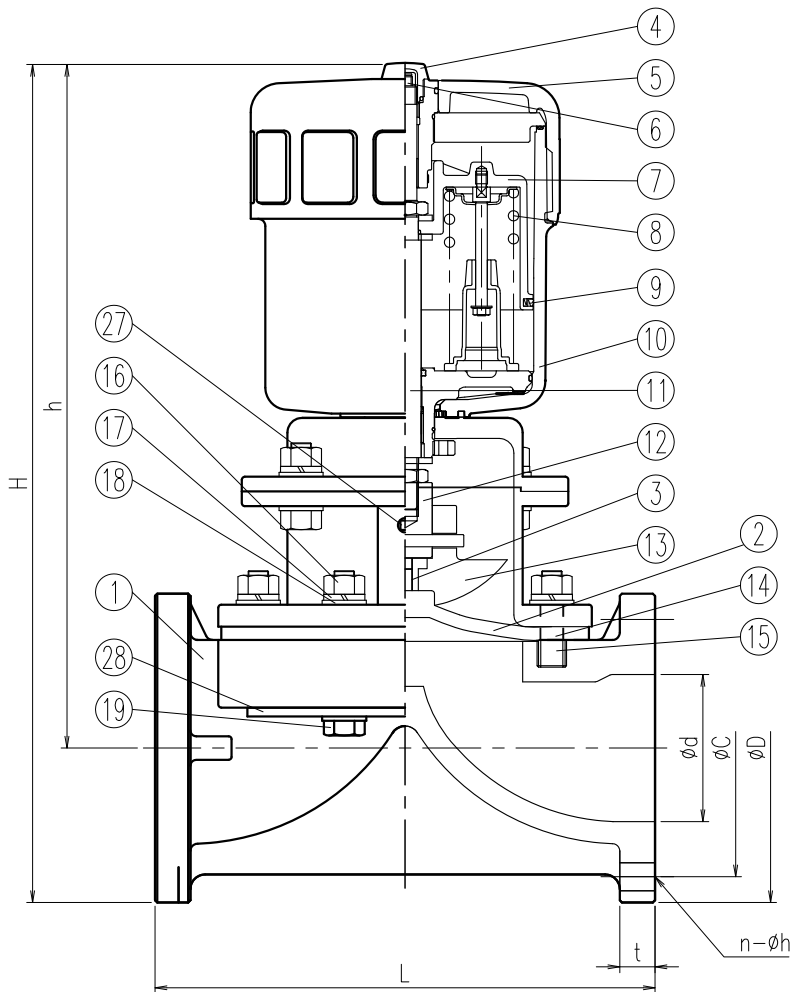
Dimension Table

Unit:mm

SIZE	A (B)	$\phi d$	L	FLANGE												H	h	$\phi DA$	$D_B$	W	Weight kg/unit	Max. Permissible Pressure	
				JIS10K				ANSI				DIN										EPDM	PTFE
				$\phi D$	$\phi C$	n- $\phi h$	t	$\phi D$	$\phi C$	n- $\phi h$	t	$\phi D$	$\phi C$	n- $\phi h$	t							MPa (at20°C)	MPa
<input type="checkbox"/>	65 (2 1/2)	67	250±1.5	175	140	4-19	22	178	139.7	4-19	23	185	145	4-18	18	522	435	211	130	171	14.2	0.6	0.4
<input type="checkbox"/>	80 (3)	80	280±1.5	185	150	8-19	22	191	152.4	4-19	24	200	160	8-18	20	523	431	261	155	202	20.4	0.6	0.4
<input type="checkbox"/>	100 (4)	100	340±1.5	210	175	8-19	24	229	190.5	8-19	24	220	180	8-18	20	566	461	261	155	256	27.9	0.5	0.3

Remarks) Flange dimension is in accordance with the following standard;  
JIS B 2220 for JIS10K, ANSI B16.5 for ANSI and DIN EN 1092-1 PN10 for DIN

Client name		Date
Flange Standard <input type="checkbox"/> JIS10K <input type="checkbox"/> ANSI <input type="checkbox"/> DIN		Approved by:
Oil Free <input type="checkbox"/> YES		
ESLON PNEUMATIC DIAPHRAGM VALVE B-TYPE Air To Open (Fail Close) / Flange Type 65-100A		
Drawing No.   DVAS651HFJ		
<b>SEKISUI SEKISUI CHEMICAL CO.,LTD.</b>		



No.	Part Name	Q'TY	Material/Type
1	Body	1	□PVC □HT □PP □PVDF
2	Diaphragm	1	□EPDM □PTFE+EPDM □PTFE+PVDF+EPDM
3	Diaphragm Stud Bolt	1	(EPDM) SS400+Cr Plated (PTFE) SUS304
4	Indicator Cover	1	PC
5	Cover	1	GF-PA
6	Indicator	1	PA
7	Piston	1	AL
8	Spring	-	Spring Steel
9	Seal Ring	1	NBR
10	Housing	1	GF-PA
11	Shaft	1	SS
12	Connector	1	SUS316
13	Compressor	1	GFPP
14	Stud Bolt	4	SUS304
15	Insert Nut	4	C3604
16	Hexagon Nut	10	SUS304
17	Spring Washer	10	SUS304
18	Washer	12	SUS304
19	Hexagon Head Bolt	6	SUS304
20	Bonnet	1	AC-7
21	Bonnet	1	AC-7
22	Air Intake Port	2	SUS303 (G1/4)
23	Hexagon Nut	4	SUS304
24	Spring Washer	4	SUS304
25	Washer	8	SUS304
26	Hexagon Head Bolt	4	SUS304
27	Ventilation Plug	1	SUS304
28	Reinforcing Plate	2	SUS304 ※1)

※1) HT,PP,PVDF

Dimension Table

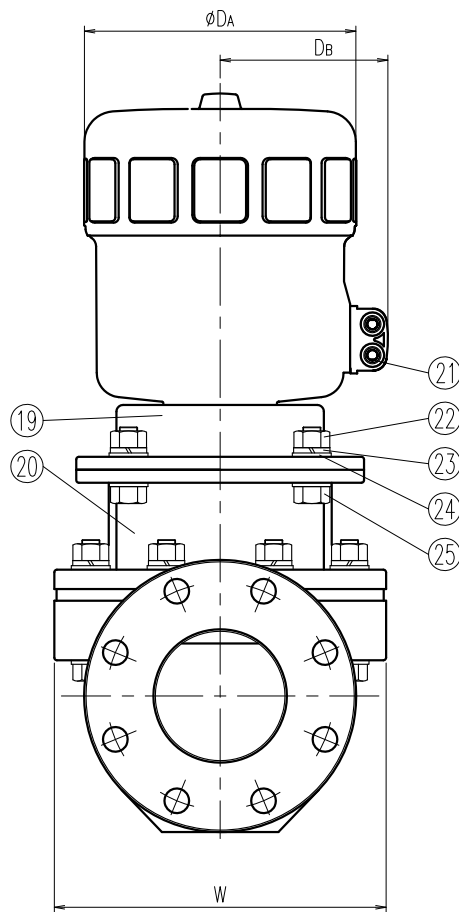
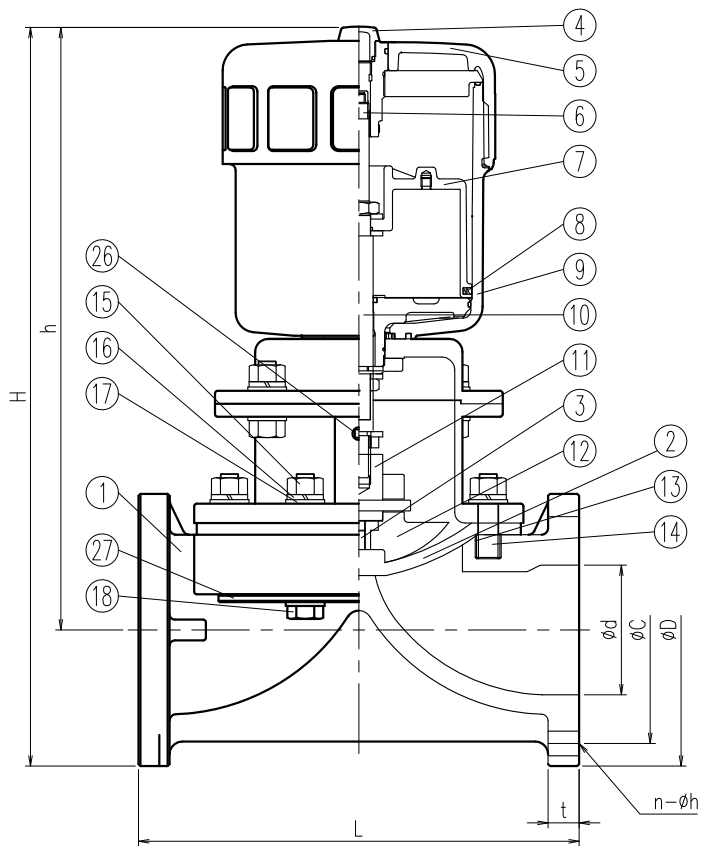
Unit: mm

SIZE	A(B)	ød	L	Flange												H	h	øDA	DB	W	Weight kg/unit	Max. Permissible Pressure MPa (at 20°C)	
				JIS10K				ANSI				DIN										EPDM	PTFE
				øD	øC	n-øh	t	øD	øC	n-øh	t	øD	øC	n-øh	t								
□ 65(2 1/2)	67	250±1.5	175	140	4-19	22	175	139.5	4-20	22	185	145	4-18	18	522	435	211	130	171	14.2	0.6	0.4	
□ 80(3)	80	280±1.5	185	150	8-19	22	190	152.5	4-20	22	200	160	8-18	20	528	436	211	130	202	16.2	0.6	0.4	
□ 100(4)	100	340±1.5	210	175	8-19	24	230	190.5	8-20	24	220	180	8-18	20	570	465	211	130	256	23.7	0.5	0.3	

Remarks) Flange dimension is in accordance with the following standard;  
JIS B 2220 for JIS10K, ANSI B16.5 for ANSI and DIN EN 1092-1 PN10 for DIN

Client name		Date	
Flange Standard	□JIS10K □ANSI □DIN	Approved by:	
Oil Free	□YES		
ESLON PNEUMATIC DIAPHRAGM VALVE B-TYPE Air To Close (Fail Open) / Flange Type / 65-100A Drawing No.   DVAA651HFE			

**SEKISUI SEKISUI CHEMICAL CO.,LTD.**



No.	Part Name	QTY	Material/Type
1	Body	1	□PVC □HT (CPVC) □PP □PVDF
2	Diaphragm	1	□EPDM □PTFE+EPDM □PTFE+PVDF+EPDM
3	Diaphragm Stud Bolt	1	(EPDM) SS400+Cr plating (PTFE) SUS304
4	Indicator Cover	1	PC
5	Cover	1	GF-PA
6	Indicator	1	PA
7	Piston	1	AL
8	Seal Ring	1	NBR
9	Housing	1	GF-PA
10	Shaft	1	SS
11	Connector	1	SUS316
12	Compressor	1	GFPP
13	Stud Bolt	4	SUS304
14	Insert Nut	4	C3604
15	Hexagonal Nut	8	SUS304
16	Spring Washer	8	SUS304
17	Washer	12	SUS304
		8	SUS304
18	Hexagonal Bolt	4	SUS304
19	Bonnet	1	AC-7
20	Bonnet	1	AC-7
21	Air Intake Port	2	SUS303 (G1/4)
22	Hexagonal Nut	4	SUS304
23	Spring Washer	4	SUS304
24	Washer	8	SUS304
25	Hexagonal Bolt	4	SUS304
26	Exhaust Port	1	SUS304
27	Reinforcing plate	2	SUS304 ※1)

\*1 Applied to PP, HT, and PVDF.

Dimension Table

Size	A(B)	$\phi d$	L	Flange												H	h	$\phi D_A$	$D_B$	W	Air Intake Port	Weight kg/Unit	Max. Permissible Pressure MPa (at 20°C)			
				JIS10K						ANSI													DIN		EPDM	PTFE
				$\phi D$	$\phi C$	n- $\phi h$	t	$\phi D$	$\phi C$	n- $\phi h$	t	$\phi D$	$\phi C$	n- $\phi h$	t											
□ 65(2 1/2)	67	250±1.5	175	140	4-19	22	175	139.5	4-20	22	185	145	4-18	18	522	435	211	130	171	G1/4	12.5	0.4	0.2			
□ 80(3)	80	280±1.5	185	150	8-19	22	190	152.5	4-20	22	200	160	8-18	20	528	436	211	130	202	G1/4	14.3	0.4	0.2			
□ 100(4)	100	340±1.5	210	175	8-19	24	230	190.5	8-20	24	220	180	8-18	20	570	465	211	130	256	G1/4	22.0	0.4	0.2			

Note) 1. Flange dimension is in accordance with the following standard;  
JIS B 2220 for JIS10K, ANSI B16.5 for ANSI and DIN2501 PN10/PN16 (ISO7005 PN10) for DIN

Client name		Date
Flange Standard	<input type="checkbox"/> JIS10K <input type="checkbox"/> ANSI <input type="checkbox"/> DIN	Approved by:
Oil Free	<input type="checkbox"/> YES	

ESLON PNEUMATIC DIAPHRAGM VALVE TYPE-B  
DOUBLE ACTION TYPE/Flange TYPE/65-100A

Drawing No. DVAD651HFE

**SEKISUI SEKISUI CHEMICAL CO.,LTD.**