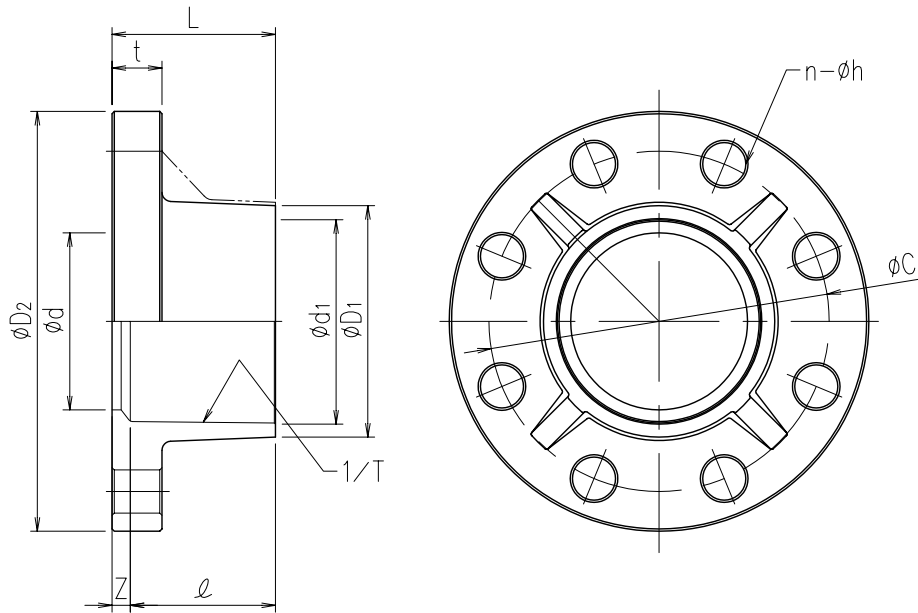


Item

Eslon Clean Fitting  
TS FLANGE JIS10K

Dimension Table


Unit:mm

Designated Size	A	TS SOCKET				FLANGE					L	Z
		$\phi d_1$	$e$	$1/T$	$\phi D_1$	$\phi C$	$\phi D_2$	$\phi d$	t	n- $\phi h$		
□	13	18.40	26	1/30	26	65	90	14	14	4-15	31	5
□	15	22.40	30	1/34	31	70	95	17	14	4-15	35	5
□	20	26.45	35	1/34	35	75	100	21	14	4-15	40	5
□	25	32.55	40	1/34	42	90	125	25	14	4-19	45	5
□	30	38.60	44	1/34	48	100	135	31	16	4-19	50	6
□	40	48.70	55	1/37	61	105	140	41	16	4-19	61	6
□	50	60.80	63	1/37	73	120	155	52	20	4-19	70	7
□	65	76.60	61	1/48	88	140	175	67	22	4-19	70	9
□	80	89.60	64	1/49	102	150	185	78	22	8-19	72	8
□	100	114.70	84	1/56	132	175	210	100	22	8-19	90	6
□	125	140.85	104	1/58	158	210	250	125	24	8-23	114	10
□	150	166.00	132	1/63	186	240	280	146	26	8-23	142	10
□	200	217.50	155	1/50	238	290	330	196	28	12-23	166	11
□	*200	217.50	130	1/50	238	290	330	196	28	12-23	141	11
□	250	268.8	185	1/50	289	355	400	247	30	12-25	198	13
□	300	319.0	185	1/57	344	400	445	298	32	16-25	203	18

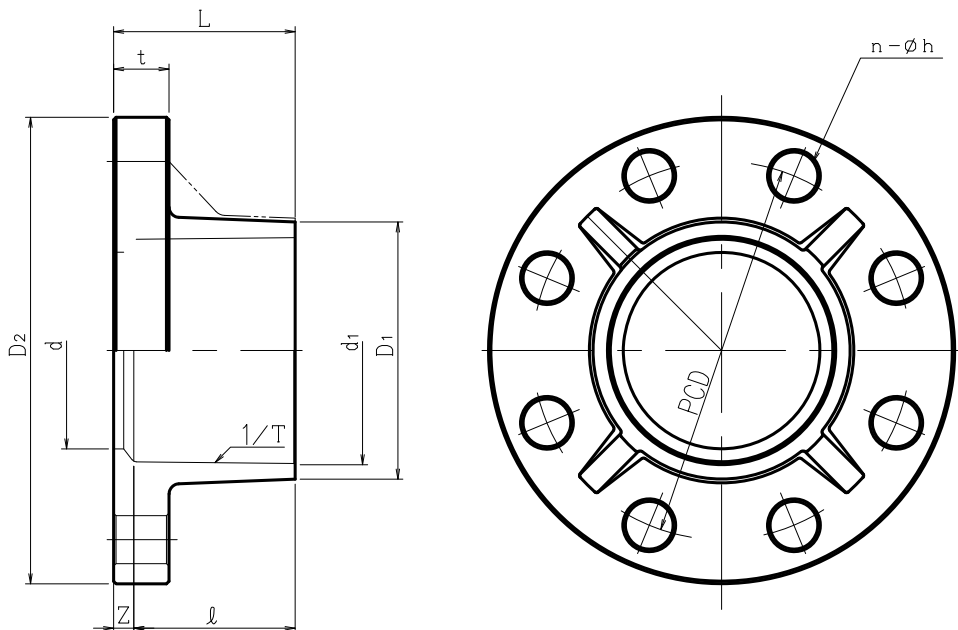
Note) 1. For details about flange dimensions, refer to the following specification. JIS B2220

2. For details about TS socket dimensions, refer to the following specification. JIS K6743

3. \*: Butt spigot flange

Item	Eslon Clean Fitting TS FLANGE JIS10K		Drawing No.	CT80AFFV(E)
	SEKISUI CHEMICAL CO.,LTD.	Date	2000.03.28	Approved by:

Item


Esilon HT Clean Fitting  
TS FLANGE JIS10K

Dimension Table

Unit:mm

Size	A	TS SOCKET				FLANGE					L	Z
		d <sub>1</sub>	ℓ	1/T	D <sub>1</sub>	PCD	D <sub>2</sub>	d	t	n-øh		
□	15	22.4	30	1/34	31	70	95	17	14	4-15	35	5
□	20	26.5	35	1/34	35	75	100	21	14	4-15	40	5
□	25	32.6	40	1/34	42	90	125	25	14	4-19	45	5
□	30	38.6	44	1/34	48	100	135	31	16	4-19	50	6
□	40	48.7	55	1/37	61	105	140	41	16	4-19	61	6
□	50	60.8	63	1/37	73	120	155	52	20	4-19	70	7
□	65	76.6	61	1/48	88	140	175	67	22	4-19	70	9
□	80	89.6	64	1/49	102	150	185	78	22	8-19	72	8
□	100	114.7	84	1/56	132	175	210	100	22	8-19	92	8
□	125	140.85	104	1/58	158	210	250	125	24	8-23	114	10
□	150	166.0	132	1/63	186	240	280	146	26	8-23	142	10

- Note) 1. For details about flange dimensions, refer to the following specification. JIS B2220  
 2. For details about TS socket dimensions, refer to the following specification. JIS K6743

Item	Esilon HT Clean Fitting TS FLANGE JIS10K		Drawing No.	CT80AFFT (E)
	SEKISUI CHEMICAL CO., LTD.	Date	2000.03.28	Approved by: