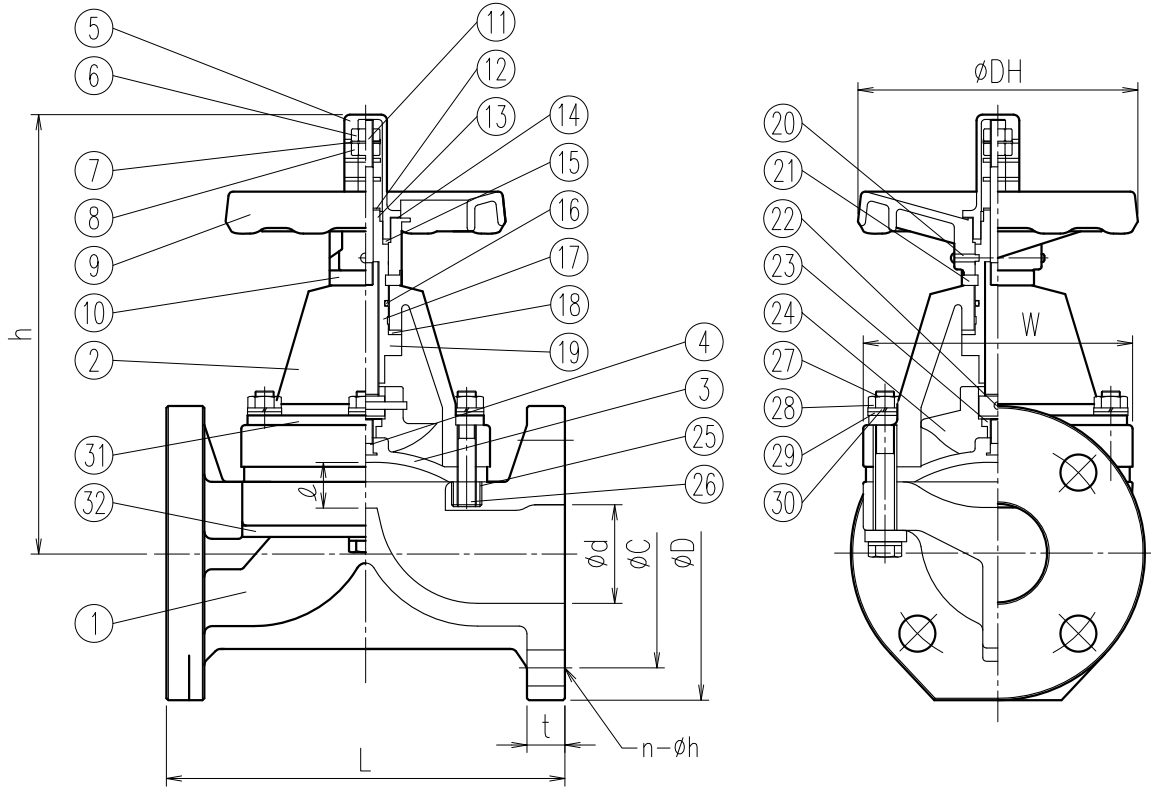


No.	Part Name	Q'TY	Material/Type
30	Spring Washer	*2	SUS304
31	Reinforcing Plate-B*3	1	SUS304,SS400 Epoxy Resin Coated
32	Reinforcing Plate-M*3	2	SUS304,SS400 Epoxy Resin Coated

No.	Part Name	Q'TY	Material/Type
1	Body	1	Body/Bonnet <input type="checkbox"/> PVC/PVC <input type="checkbox"/> HT/HT (JIS: Brown) <input type="checkbox"/> CPVC/CPVC (ANSI-DIN: Gray) <input type="checkbox"/> PP/PP <input type="checkbox"/> PVDF/GFPP <input type="checkbox"/> PVDF/PVDF
2	Bonnet	1	<input type="checkbox"/> EPDM <input type="checkbox"/> PTFE+EPDM <input type="checkbox"/> PTFE+PVDF+EPDM
3	Diaphragm	1	<input type="checkbox"/> EPDM <input type="checkbox"/> PTFE+EPDM <input type="checkbox"/> PTFE+PVDF+EPDM
4	Diaphragm Stud Bolt	1	SUS304 *1
5	Indicator Cover	1	PC
6	Lock Nut	1	SUS304
7	Washer	1	SUS304
8	Stopper Nut	1	SUS304
9	Handle	1	ABS
10	Collar	1	PE
11	Indicator Stud Bolt	1	SUS304
12	Stopper Washer	1	POM
13	Sleeve Head	1	C3604
14	Handle Sticker	1	PVC
15	Stem Packing	1	NBR
16	O-Ring	1	NBR
17	Stem Sleeve	1	C3604
18	(~80A) Thrust Washer (100A~) Thrust Bearing	1	PTFE SUJ
19	Stem Spindle	1	C3604
20	Retaining Screw	2	SUS304
21	Retaining Ring	1	(~100A) PP, (125A~) PVC
22	Pin	1	SUS304 *1
23	Connecting Nut	1	C3604 *1
24	Compressor	1	GF-PP
25	Insert Nut	*2	C3604 (PVDF: SUS304)
26	Stud Bolt	*2	SUS304
27	Hexagonal Bolt	*2	SUS304
28	Hexagonal Nut	*2	SUS304
29	Washer	*2	SUS304



Dimension Table

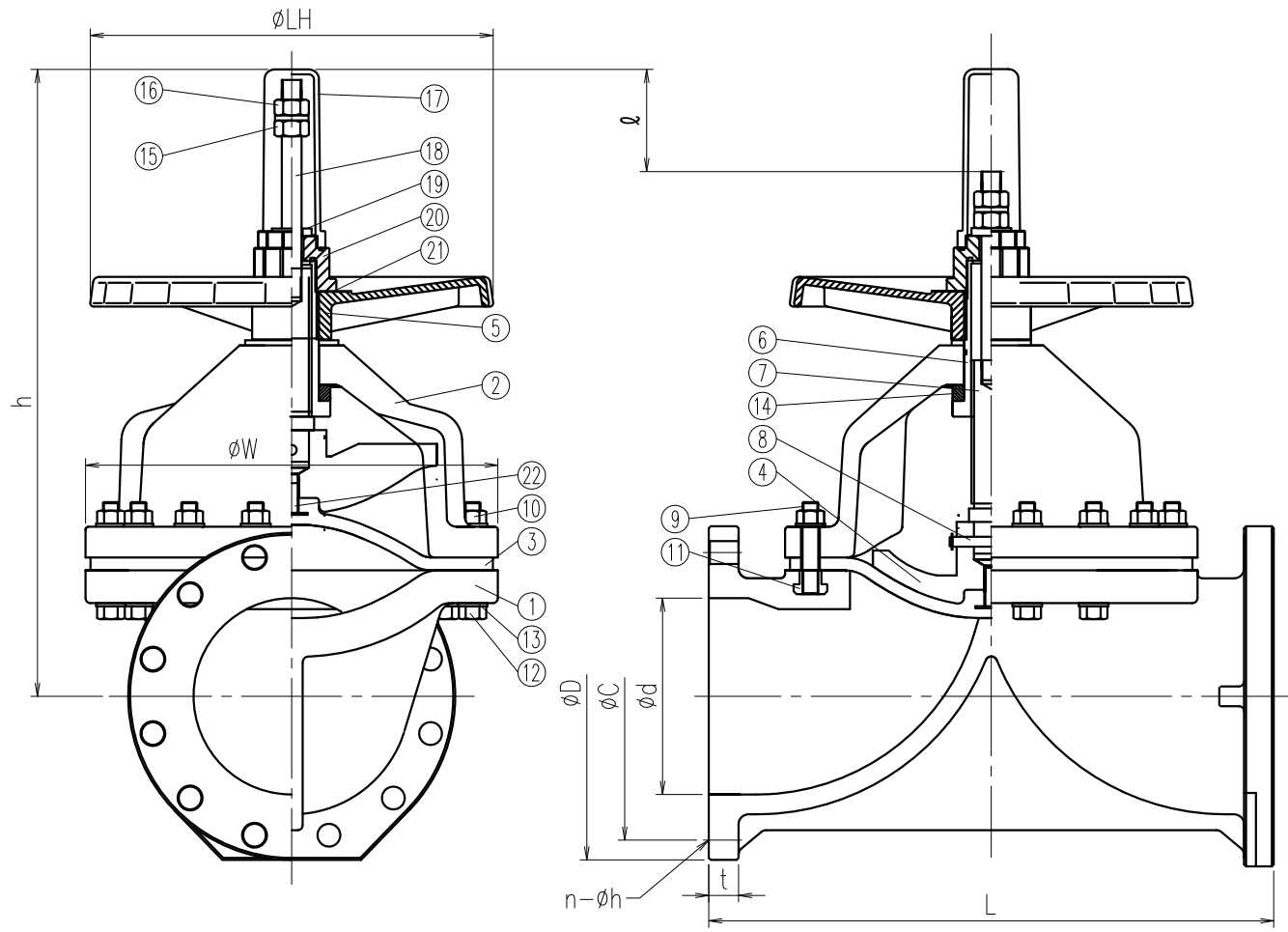
Unit: mm

Size	A(B)	φd	ℓ	L	FLANGE												h	W	φLH	Q'ty of Bolts,Nuts			
					JIS10K				ANSI				DIN							25	27	28	29
					φD	φC	n-φh	t	φD	φC	n-φh	t	φD	φC	n-φh	t							
□ 15(1/2)	16	10	110±1.5	95	70	4-15	14	90	60.5	4-16	11	95	65	4-14	14	122	76	80	-	4	4	8	
□ 20(3/4)	20	12	120±1.5	100	75	4-15	14	100	70.0	4-16	13	105	75	4-14	14	134	82	80	-	4	4	8	
□ 25(1)	25	15	130±1.5	125	90	4-19	14	110	79.5	4-16	14	115	85	4-14	14	145	90	80	-	4	4	8	
□ 32(1-1/4)	32	15	142±1.5	135	100	4-19	16	117	89	4-16	15.7	140	100	4-18	15	145	90	80	-	4	4	8	
□ 40(1-1/2)	41	20	180±1.5	140	105	4-19	16	127	98.5	4-16	17	150	110	4-18	16	205	122	125	4	2	6	8	
□ 50(2)	52	27	210±1.5	155	120	4-19	20	155	120.5	4-20	19	165	125	4-18	18	233	142	148	4	2	6	8	
□ 65(2-1/2)	67	36	250±1.5	175	140	4-19	22	175	139.5	4-20	22	185	145	4-18	18	291	170	210	4	4	8	12	
□ 80(3)	80	37	280±1.5	185	150	8-19	22	190	152.5	4-20	22	200	160	8-18	20	322	202	210	4	4	8	12	
□ 100(4)	100	61	340±1.5	210	175	8-19	24	230	190.5	8-20	24	220	180	8-18	20	392	255	260	4	4	8	12	
□ 125(5)	125	61	410±1.5	250	210	8-23	24	254	216.0	8-23	24	250	210	8-18	22	435	320	350	4	6	10	16	
□ 150(6)	150	70	480±1.5	280	240	8-23	24	280	241.5	8-23	25	285	240	8-22	22	490	375	350	4	8	12	20	

Note) 1. Flange dimension is in accordance with the following standard;JIS B 2220 for JIS10K, ANSI B16.5 for ANSI and DIN2501 PN10/PN16 (ISO7005 PN10)

- *1 Titanium Palladium is available on request
- *2 Q'ty of Bolts & Nuts are shown in Dimension Table
- *3 Applied to PP, HT, and PVDF

Client name		Date
Flange Standard	<input type="checkbox"/> JIS10K <input type="checkbox"/> ANSI <input type="checkbox"/> DIN	Approved by:
Oil Free	<input type="checkbox"/> YES	
ESLON Diaphragm Valve Flange Type /Size 15(1/2") -150(6")		
Drawing No. DV151FFE		
SEKISUI SEKISUI CHEMICAL CO.,LTD.		



No.	Part Name	Q'TY	Material/Type
1	Body	1	Body/Bonnet □PVC/PVC
2	Bonnet	1	□PP/PP □PVDF/GFPP
3	Diaphragm	1	□EPDM □PTFE+EPDM □PTFE+PVDF+EPDM
4	Compressor	1	FC200
5	Handle	1	ABS
6	Stem Sleeve	1	FC25
7	Stem Spindle	1	SS400
8	Pin	1	SUS304 *1
9	Stud Bolt	8	SUS304
10	Hexagonal Nut	200A: 16 250A: 20	SUS304
11	Insert Nut	8	C3604 (PVDF: SUS304)
12	Hexagonal Bolt	200A: 8 250A: 12	SUS304
13	Washer	200A: 32 250A: 40	SUS304
14	Thrust Bearing	1	SUJ
15	Stopper Nut	1	SUS304
16	Lock Nut	1	SUS304
17	Indicator Cover	1	PC
18	Indicator Stud Bolt	1	SUS304
19	Stopper Washer	1	SUS304
20	Nut	1	PP
21	Plate	1	PVC
22	Diaphragm Stud Bolt	1	SUS304 *1

*1 Titanium Palladium is available on request

Dimension Table

Unit: mm

Size	A(B)	φd	ℓ	L	FLANGE												h	W	φLH
					JIS10K				ANSI				DIN						
					φD	φC	n-φh	t	φD	φC	n-φh	t	φD	φC	n-φh	t			
□ 200(8)	198	96	570±1.5	330	290	12-23	29	343	298.5	8-23	28	340	295	8-22	29	632	416	410	
□ 250(10)	248	132	680±1.5	400	355	12-25	31	406	362	12-25	31	395	350	12-22	26	780	540	555	

Note) Flange dimension is in accordance with the following standard;
 JIS B 2220 for JIS10K, ANSI B16.5 for ANSI and DIN2501 PN10/PN16 (ISO7005 PN10) for DIN

Client name	Date
Flange Standard	□JIS10K □ANSI □DIN
Oil Free	□YES
Approved by:	

ESLON DIAPHRAGM VALVE
 FLANGE TYPE SIZE 200(8") - 250(10")
 Drawing No. DV2H2FFE
SEKISUI SEKISUI CHEMICAL CO.,LTD.