

No.	Part Name	Q'TY	Material/Type
1	Body	1	<input type="checkbox"/> PVC
			<input type="checkbox"/> HT (JIS: Brown)
			<input type="checkbox"/> CPVC (ANSI-DIN: Gray)
			<input type="checkbox"/> PP
			<input type="checkbox"/> PVDF
2	Diaphragm	1	<input type="checkbox"/> EPDM
			<input type="checkbox"/> PTFE+EPDM
			<input type="checkbox"/> PTFE+PVDF+EPDM
3	Diaphragm Stud Bolt	1	SUS304
4	Cover	1	GF-PP
5	Piston	1	GF-PP
6	Housing	1	GF-PP
7	Positioning	1	GF-PP
8	O-Ring	7	NBR
9	Spindle	1	SUS304
10	Connecting Nut	1	C3604
11	Compressor	1	GF-PP
12	Indicator	1	GF-PP
13	Spring	1	Spring Steel
14	Hexagon Nut	1	SUS304
15	Washer	2	SUS304
16	Hexagon Head Bolt	-	SUS304
17	Hexagon Nut	-	SUS304
18	Spring Washer	-	SUS304
19	Washer	-	SUS304
20	Air Intake Port	2	SUS304 (Rc1/4)
21	Screw	1	SUS304
22	Cover Insert Nut	1	SUS304
23	Reinforcing Plate *2)	2	SUS304
24	Stud Bolt	-	SUS304 *1)
25	Insert Nut	-	(PVC, HT, CPVC, PP) C3604 *1) (PVDF) SUS304 *1)
26	Cap Cover	1	PC

\*1) 40,50A  
\*2) Only HT,CPVC,PP,PVDF

Dimension Table

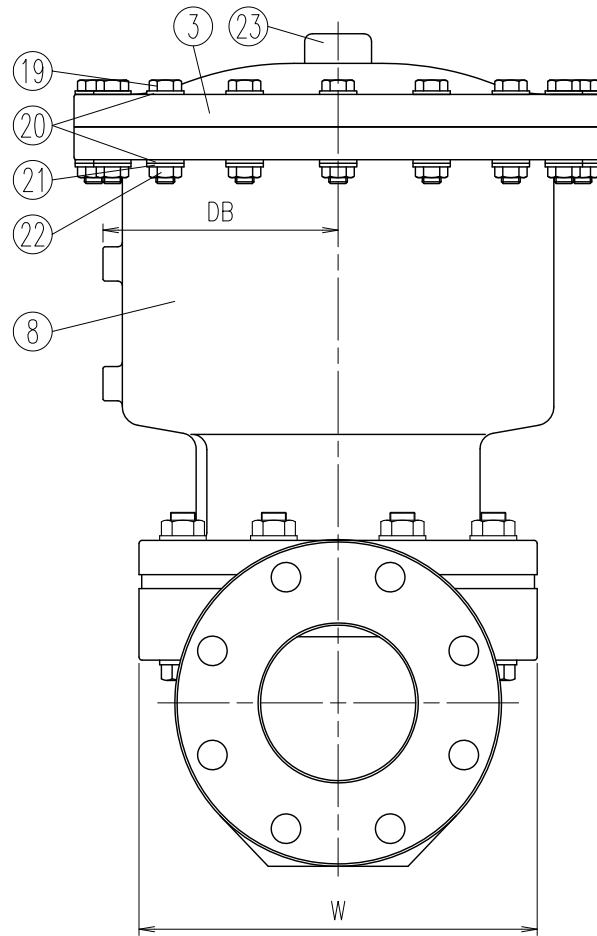
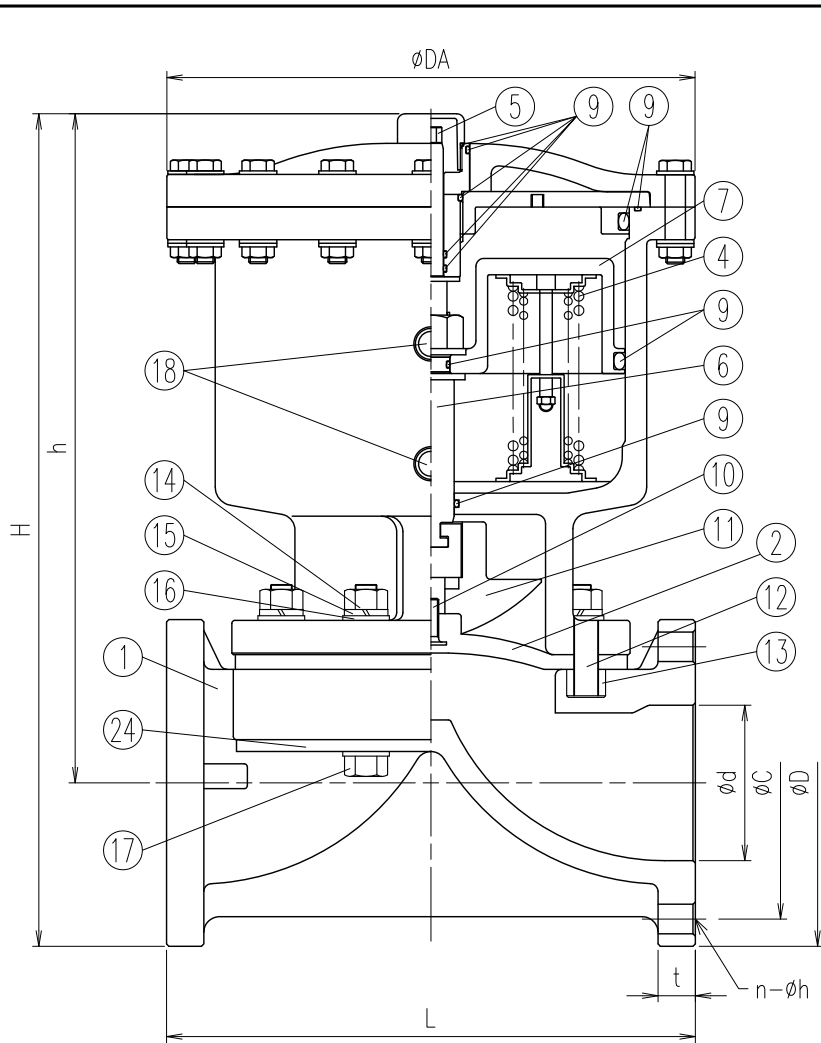
Unit: mm

Size	A(B)	ød	L	JIS10K				ANSI				DIN				H	h	øDA	øDB	Weight kg/unit
				øD	øC	n-øh	t	øD	øC	n-øh	t	øD	øC	n-øh	t					
<input type="checkbox"/> 15 (1/2)	16	110±1.5	95	70	4-15	14	90	60.5	4-16	11	95	65	4-14	14	223	176	101	63	1.3	
<input type="checkbox"/> 20 (3/4)	20	120±1.5	100	75	4-15	14	100	70.0	4-16	13	105	75	4-14	14	226	176	101	63	1.4	
<input type="checkbox"/> 25 (1)	25	130±1.5	125	90	4-19	14	110	79.5	4-16	14	115	85	4-14	14	246	183	101	63	1.5	
<input type="checkbox"/> 32 (1·1/4)	32	142±1.5	135	100	4-19	16	117	89.0	4-16	15.7	140	100	4-18	15	251	183	101	63	1.8	
<input type="checkbox"/> 40 (1·1/2)	41	180±1.5	140	105	4-19	16	127	98.5	4-16	17	150	110	4-18	16	373	303	155	90	7.3	
<input type="checkbox"/> 50 (2)	52	210±1.5	155	120	4-19	20	155	120.5	4-20	19	165	125	4-18	20	384	307	155	90	8.2	

Note) 1. Flange dimension is in accordance with the following standard;  
 JIS B 2220 for JIS10K, ANSI B16.5 for ANSI and DIN2501 PN10/PN16 (ISO7005 PN10) for DIN  
 2. Max.Working Pressure (at20°C) : 1.0MPa

Client name		Date
Screw Socket	<input type="checkbox"/> JIS <input type="checkbox"/> ANSI <input type="checkbox"/> DIN	Approved by:
Oil Free	<input type="checkbox"/> YES	

ESLON PNEUMATIC DIAPHRAGM VALVE TYPE-F  
 Air To Close (Fail Open) / Flange Type 15-50A  
 Drawing No. FDAA1550FE  
**SEKISUI SEKISUI CHEMICAL CO.,LTD.**



No.	Part Name	Q'TY	Material/Type
1	Body	1	<input type="checkbox"/> PVC
			<input type="checkbox"/> HT (JIS: Brown)
			<input type="checkbox"/> CPVC (ANSI-DIN: Gray)
			<input type="checkbox"/> PP
			<input type="checkbox"/> PVDF
2	Diaphragm	1	<input type="checkbox"/> EPDM
			<input type="checkbox"/> FKM
			<input type="checkbox"/> PTFE+EPDM
			<input type="checkbox"/> PTFE+PVDF+EPDM
3	Bonnet	1	GF-PP
4	Spring unit	-	Spring Steel
5	Indicator	1	GF-PP
6	Spindle	1	SUS304
7	Piston	1	A6061
8	Housing	1	GF-PP
9	O-Ring	10	NBR
10	Diaphragm Stud Bolt	1	SUS304
11	Compressor	1	GF-PP
12	Stud Bolt	4	SUS304
13	Insert Nut	4	C3604 (PVDF: SUS304)
14	Hexagon Nut	8	SUS304
15	Spring Washer	8	SUS304
16	Washer	12	SUS304
17	Hexagon Head Bolt	4	SUS304
18	Air Intake Port	2	SUS304 (Rc1/4)
19	Hexagon Head Bolt	-	SUS304
20	Washer	-	SUS304
21	Spring Washer	-	SUS304
22	Hexagon Nut	-	SUS304
23	Indicator Cover	1	PC
24	Reinforcing Plate ※1)	2	SUS304

※ 1) Only HT,CPVC,PP,PVDF

Dimension Table

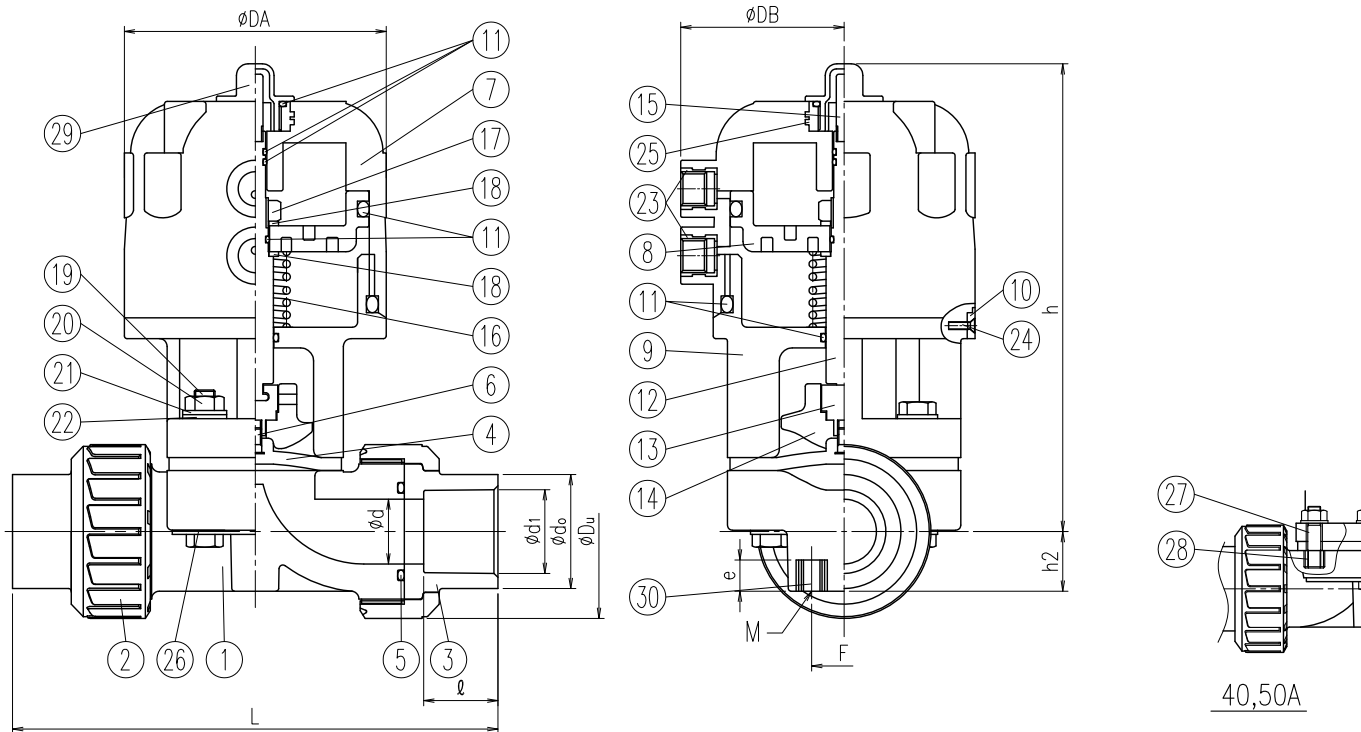
Size	A(B)	$\phi d$	L	FLANGE												H	h	$\phi DA$	$\phi DB$	W	Weight kg/unit
				JIS10K				ANSI				DIN									
				$\phi D$	$\phi C$	n- $\phi h$	t	$\phi D$	$\phi C$	n- $\phi h$	t	$\phi D$	$\phi C$	n- $\phi h$	t						
<input type="checkbox"/> 65 (2 1/2)		67	250±1.5	175	140	4-19	22	175	139.5	4-20	22	185	145	4-18	18	474	386	285	124	171	15.9
<input type="checkbox"/> 80 (3)		80	280±1.5	185	150	8-19	22	190	152.5	4-20	22	200	160	8-18	20	485	392	285	124	202	17.5
<input type="checkbox"/> 100 (4)		100	340±1.5	210	175	8-19	24	230	190.5	8-20	24	220	180	8-18	20	535	430	340	151	256	27.8

Note)

- Flange dimension is in accordance with the following standard; JIS B 2220 for JIS10K, ANSI B16.5 for ANSI and DIN2501 PN10/PN16 (ISO7005 PN10) for DIN
- Max. Permissible Working Pressure (at 20°C) : 0.7MPa

Unit: mm

Client name		Date
Flange Standard <input type="checkbox"/> JIS10K <input type="checkbox"/> ANSI <input type="checkbox"/> DIN		Approved by:
Oil Free <input type="checkbox"/> YES		
ESLON Pneumatic Diaphragm Valve Type-F Air To Close (Fail Open) / Flange Type 65-100A		
Drawing No.   FDAA651HFE		
<b>SEKISUI SEKISUI CHEMICAL CO.,LTD.</b>		



No.	Part Name	Q'TY	Material/Type
1	Body	1	□PVC
2	Union Nut	2	□HT (JIS: Brown)
3	TS Socket	2	□CPVC (ANSI-DIN: Gray)
4	Diaphragm	1	□EPDM □PTFE+EPDM □PTFE+PVDF+EPDM
5	O-Ring	2	□EPDM □FKM
6	Diaphragm Stud Bolt	1	SUS304
7	Cover	1	GF-PP
8	Piston	1	GF-PP
9	Housing	1	GF-PP
10	Positioning	1	GF-PP
11	O-Ring	7	NBR
12	Spindle	1	SUS304
13	Connecting Nut	1	C3604
14	Compressor	1	GF-PP
15	Indicator	1	GF-PP
16	Spring	1	Spring Steel
17	Hexagon Nut	1	SUS304
18	Washer	2	SUS304
19	Hexagon Head Bolt	-	SUS304
20	Hexagon Nut	-	SUS304
21	Spring Washer	-	SUS304
22	Washer	-	SUS304
23	Air Intake Port	2	SUS304 (Rc1/4)
24	Screw	1	SUS304
25	Cover Insert Nut	1	SUS304
26	Reinforcing Plate ※2)	2	SUS304
27	Stud Bolt	-	SUS304 ※1)
28	Insert Nut	-	C3604 ※1)
29	Cap Cover	1	PC
30	Fixing Insert Nut	2	C3604

※1) 40,50A  
 ※2) Only HT,CPVC

Dimension Table

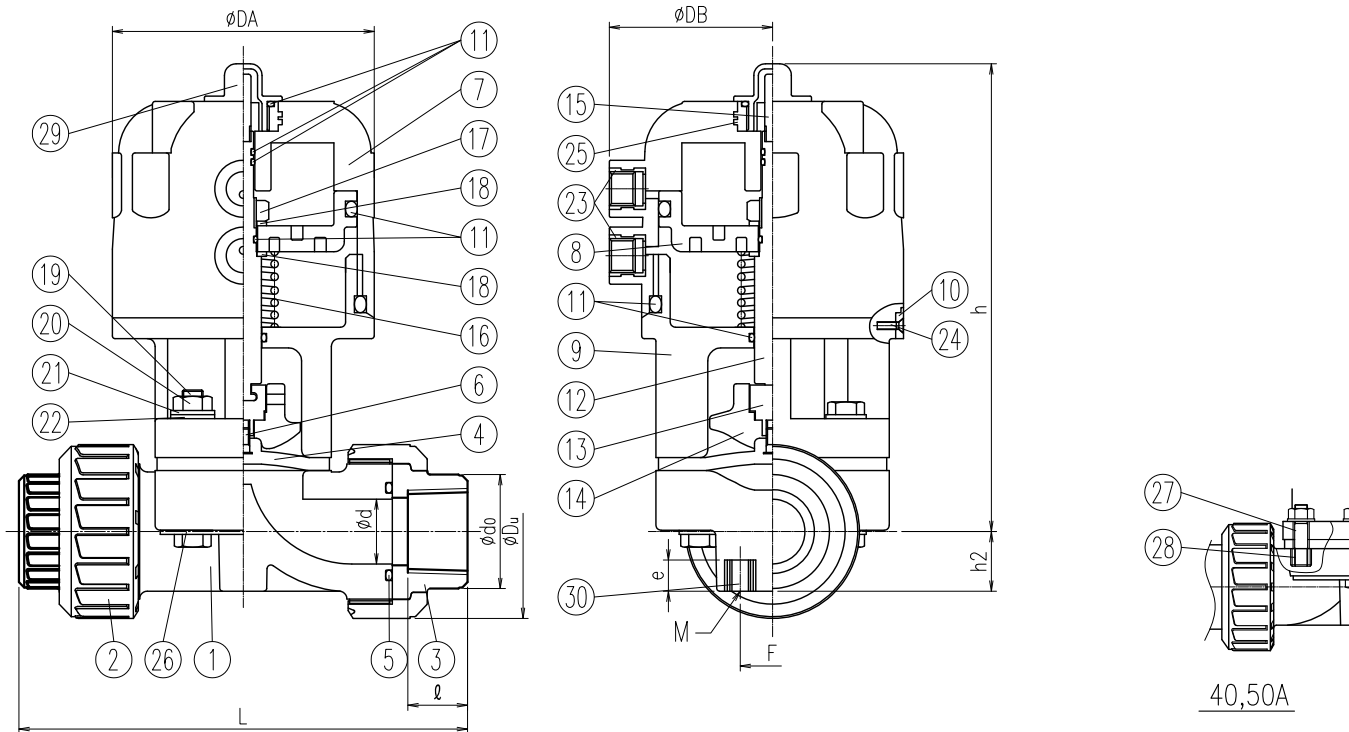
Unit: mm

SIZE	A (B)	φd	φdo	JIS				ASTM				DIN				h	h2	φDu	φDA	φDB	Fixing Insert Nut		Weight kg/unit
				L	φd1	1/T	ℓ	L	φd1	1/T	ℓ	L	φd1	1/T	ℓ						F	MXe	
□ 15 (1/2)	16	33	144±3.0	22.3	1/37	22	137±3.0	21.54	1/72	22.22	126±3.0	20.3	1/65	16	176	15.0	49	101	63	25	M6x12	1.1	
□ 20 (3/4)	20	35	172±3.0	26.3	1/42	25	158±3.0	26.87	1/85	25.40	146±3.0	25.3	1/80	19	176	18.0	59	101	63	25	M6x12	1.2	
□ 25 (1)	25	44	187±3.0	32.3	1/43	29	177±3.0	33.65	1/75	28.58	165±3.0	32.3	1/95	22	183	23.0	67	101	63	25	M6x12	1.3	
□ 32 (1·1/4)	32	54	210±3.0	38.4	1/37	32	190±3.0	42.42	1/84	31.75	179±3.0	40.3	1/115	26	183	23.0	81	101	63	25	M6x12	1.6	
□ 40 (1·1/2)	40	66	262±3.0	48.5	1/38	35	258±3.0	48.56	1/78	34.93	247±3.0	50.3	1/140	31	307	32.5	98	155	90	45	M8x12	7.3	
□ 50 (2)	50	77	298±3.0	60.7	1/34	38	283±3.0	60.63	1/83	38.10	284±3.0	63.3	1/175	38	308	37.5	120	155	90	45	M8x12	8.2	

Note) 1. TS socket dimension is in accordance with the following standard;  
 ASTM:ASTM D2467,DIN:DIN2501 PN10/PN16 (ISO7005 PN10)  
 2. If a fixing insert bolt, should not be screwed in beyond dimension e.  
 3. Max. Working Pressure (at 20°C) : 1.0MPa

Client name		Date
Screw Socket	<input type="checkbox"/> JIS <input type="checkbox"/> ASTM <input type="checkbox"/> DIN	Approved by:
Oil Free	<input type="checkbox"/> YES	

ESLON PNEUMATIC DIAPHRAGM VALVE TYPE-F  
 Air To Close (Fail Open) /TS Socket 15-50A  
 Drawing No. FDAA1550SE  
**SEKISUI SEKISUI CHEMICAL CO.,LTD.**



No.	Part Name	Q'TY	Material/Type
1	Body	1	□PVC
2	Union Nut	2	□PVDF
3	Thread Socket	2	
4	Diaphragm	1	□EPDM □PTFE+EPDM □PTFE+PVDF+EPDM
5	O-Ring	2	□EPDM □FKM
6	Diaphragm Stud Bolt	1	SUS304
7	Cover	1	GF-PP
8	Piston	1	GF-PP
9	Housing	1	GF-PP
10	Positioning	1	GF-PP
11	O-Ring	7	NBR
12	Spindle	1	SUS304
13	Connecting Nut	1	C3604
14	Compressor	1	GF-PP
15	Indicator	1	GF-PP
16	Spring	1	Spring Steel
17	Hexagon Nut	1	SUS304
18	Washer	2	SUS304
19	Hexagon Head Bolt	-	SUS304
20	Hexagon Nut	-	SUS304
21	Spring Washer	-	SUS304
22	Washer	-	SUS304
23	Air Intake Port	2	SUS304 (Rc1/4)
24	Screw	1	SUS304
25	Cover Insert Nut	1	SUS304
26	Reinforcing Plate ※2)	2	SUS304
27	Stud Bolt	-	SUS304 ※1)
28	Insert Nut	-	C3604 ※1) (PVC) SUS304 ※1) (PVDF)
29	Cap Cover	1	PC
30	Fixing Insert Nut	2	C3604

※1) 40,50A  
※2) Only PVDF

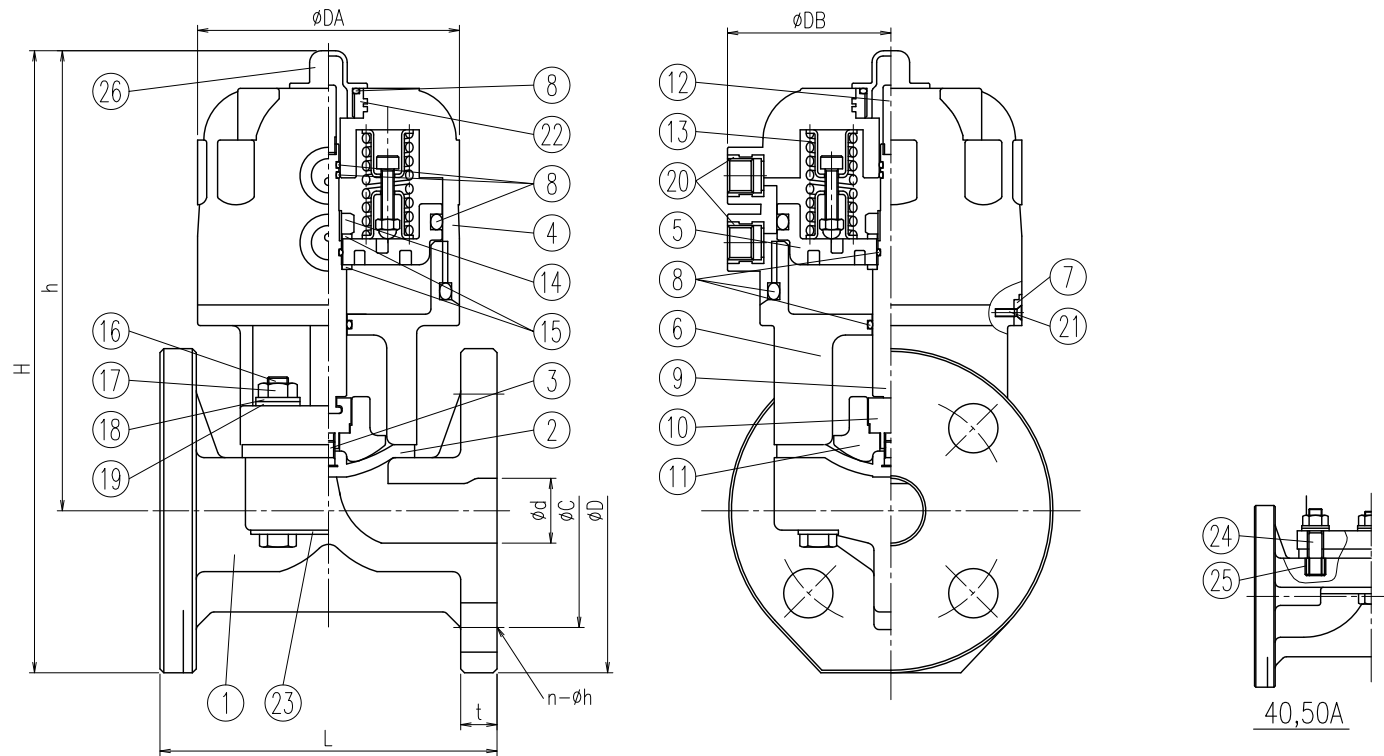
Dimension Table

Unit: mm

SIZE	A (B)	ød	JIS:Rc				ANSI:NPT			DIN:Rp			h	h2	øDu	øDA	øDB	Fixing Insert Nut		Weight kg/unit
			L		ℓ		L	ℓ	ø do	L	ℓ	ø do						F	MXe	
			PVC	PVDF	PVC	PVDF														
□ 15 (1/2)	16	133±3.0	134±3.0	18	20	30	133±3.0	18	30	133±3.0	18	30	176	15.0	49	101	63	25	M6x12	1.1
□ 20 (3/4)	20	157±3.0	157±3.0	18	22	35	157±3.0	18	35	157±3.0	18	35	176	18.0	59	101	63	25	M6x12	1.2
□ 25 (1)	25	173±3.0	180±3.0	23	24	44	173±3.0	23	44	173±3.0	23	44	183	23.0	67	101	63	25	M6x12	1.3
□ 32 (1·1/4)	31	188±3.0	191±3.0	23	25	54	188±3.0	23	54	188±3.0	23	54	183	23.0	81	101	63	25	M6x12	1.6
□ 40 (1·1/2)	40	248±3.0	254±3.0	25	28	65	248±3.0	25	65	248±3.0	25	65	307	32.5	98	155	90	45	M8x12	7.3
□ 50 (2)	50	280±3.0	290±3.0	30	30	77	269±3.0	30	77	269±3.0	30	77	308	37.5	120	155	90	45	M8x12	8.2

Note) 1. Thread dimension is in accordance with the following standard;  
 JIS:JIS B 0203,ANSI:ANSI B1.20.1,DIN:DIN2501 PN10/PN16 (ISO7005 PN10)  
 2. If a fixing insert bolt,should not be screwed in beyond dimension e.  
 3. Max.Working Pressure (at20°C) : 1.0MPa

Client name		Date
Screw Socket	<input type="checkbox"/> Rc <input type="checkbox"/> NPT <input type="checkbox"/> Rp	Approved by:
Oil Free	<input type="checkbox"/> YES	
ESLON PNEUMATIC DIAPHRAGM VALVE TYPE-F Air To Close (Fail Open) / Thread Socket 15-50A Drawing No. FDAA1550NE		
<b>SEKISUI SEKISUI CHEMICAL CO.,LTD.</b>		



No.	Part Name	Q'TY	Material/Type
1	Body	1	<input type="checkbox"/> PVC
			<input type="checkbox"/> HT (JIS: Brown)
			<input type="checkbox"/> CPVC (ANSI·DIN: Gray)
			<input type="checkbox"/> PP
			<input type="checkbox"/> PVDF
2	Diaphragm	1	<input type="checkbox"/> EPDM
			<input type="checkbox"/> PTFE+EPDM
			<input type="checkbox"/> PTFE+PVDF+EPDM
3	Diaphragm Stud Bolt	1	SUS304
4	Cover	1	GF-PP
5	Piston	1	GF-PP
6	Housing	1	GF-PP
7	Positioning	1	GF-PP
8	O-Ring	7	NBR
9	Spindle	1	SUS304
10	Connecting Nut	1	C3604
11	Compressor	1	GF-PP
12	Indicator	1	GF-PP
13	Spring unit	-	Spring Steel
14	Hexagon Nut	1	SUS304
15	Washer	2	SUS304
16	Hexagon Head Bolt	-	SUS304
17	Hexagon Nut	-	SUS304
18	Spring Washer	-	SUS304
19	Washer	-	SUS304
20	Air Intake Port	2	SUS304 (Rc1/4)
21	Screw	1	SUS304
22	Cover Insert Nut	1	SUS304
23	Reinforcing Plate *2)	2	SUS304
24	Stud Bolt	-	SUS304 *1)
25	Insert Nut	-	(PVC, CPVC, HT, PP) C3604 *1) (PVDF) SUS304 *1)
26	Cap Cover	1	PC

\*1) 40,50A  
\*2) Only HT,CPVC,PP,PVDF

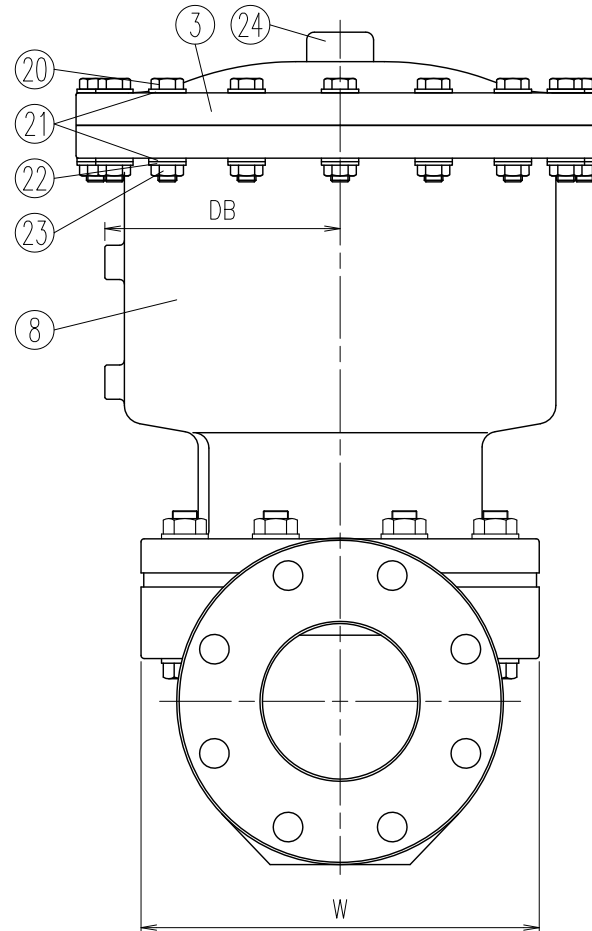
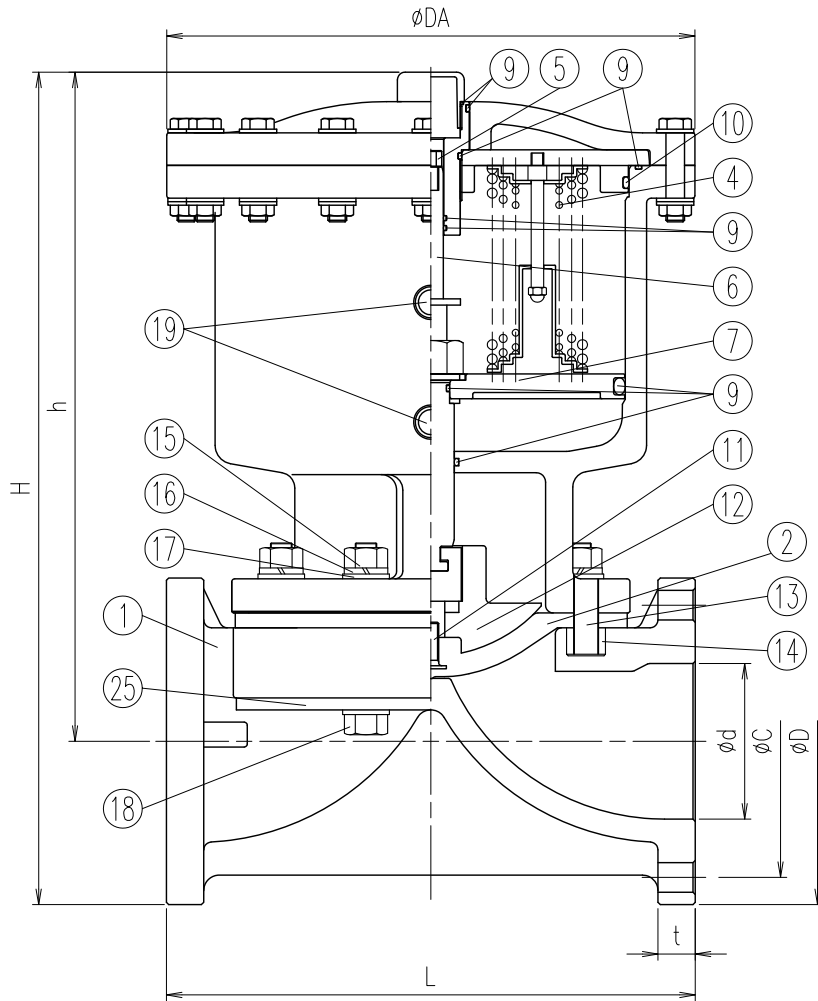
Dimension Table

Unit: mm

Size	A(B)	ød	L	JIS10K				ANSI				DIN				H	h	øDA	øDB	Weight kg/unit
				øD	øC	n-øh	t	øD	øC	n-øh	t	øD	øC	n-øh	t					
<input type="checkbox"/> 15(1/2)	16	110±1.5	95	70	4-15	14	90	60.5	4-16	11.0	95	65	4-14	14	223	176	101	63	1.6	
<input type="checkbox"/> 20(3/4)	20	120±1.5	100	75	4-15	14	100	70.0	4-16	13.0	105	75	4-14	14	226	176	101	63	1.7	
<input type="checkbox"/> 25(1)	25	130±1.5	125	90	4-19	14	110	79.5	4-16	14.0	115	85	4-14	14	246	183	101	63	1.8	
<input type="checkbox"/> 32(1·1/4)	32	142±1.5	135	100	4-19	16	117	89.0	4-16	15.7	140	100	4-18	15	251	183	101	63	2.1	
<input type="checkbox"/> 40(1·1/2)	41	180±1.5	140	105	4-19	16	127	98.5	4-16	17.0	150	110	4-18	16	373	303	155	90	8.0	
<input type="checkbox"/> 50(2)	52	210±1.5	155	120	4-19	20	155	120.5	4-20	19.0	165	125	4-18	20	384	307	155	90	8.9	

Note) 1. Flange dimension is in accordance with the following standard;  
JIS B 2220 for JIS10K, ANSI B16.5 for ANSI and DIN2501 PN10/PN16 (ISO7005 PN10) for DIN  
2. Max.Working Pressure (at20°C) : Specification of 10K:1.0MPa, 7K:0.7MPa

Client name		Date
Valve pressure	<input type="checkbox"/> 10K <input type="checkbox"/> 7K	Approved by:
Flange Standard	<input type="checkbox"/> JIS10K <input type="checkbox"/> ANSI <input type="checkbox"/> DIN	
Oil Free	<input type="checkbox"/> YES	
ESLON PNEUMATIC DIAPHRAGM VALVE TYPE-F Air To Open ( Fail Close) / Flange Type 15-50A		
Drawing No.	FDAS1550FE	
<b>SEKISUI SEKISUI CHEMICAL CO.,LTD.</b>		



No.	Part Name	Q'TY	Material/Type
1	Body	1	<input type="checkbox"/> PVC
			<input type="checkbox"/> HT (JIS: Brown)
			<input type="checkbox"/> CPVC (ANSI·DIN: Gray)
			<input type="checkbox"/> PP
			<input type="checkbox"/> PVDF
2	Diaphragm	1	<input type="checkbox"/> EPDM
			<input type="checkbox"/> FKM
			<input type="checkbox"/> PTFE+EPDM
			<input type="checkbox"/> PTFE+PVDF+EPDM
3	Bonnet	1	GF-PP
4	Spring unit	-	Spring Steel
5	Indicator	1	GF-PP
6	Spindle	1	SUS304
7	Piston	1	A6061
8	Housing	1	GF-PP
9	O-Ring	9	NBR
10	O-Ring (Only 100A)	1	NBR
11	Diaphragm Stud Bolt	1	SUS304
12	Compressor	1	GF-PP
13	Stud Bolt	4	SUS304
14	Insert Nut	4	C3604 (PVDF: SUS304)
15	Hexagon Nut	8	SUS304
16	Spring Washer	8	SUS304
17	Washer	12	SUS304
18	Hexagon Head Bolt	4	SUS304
19	Air Intake Port	2	SUS304 (Rc1/4)
20	Hexagon Head Bolt	-	SUS304
21	Washer	-	SUS304
22	Spring Washer	-	SUS304
23	Hexagon Nut	-	SUS304
24	Indicator Cover	1	PC
25	Reinforcing Plate ※1)	2	SUS304

※1) Only HT,CPVC,PP,PVDF

Dimension Table

Size	A(B)	ød	L	FLANGE												H	h	øDA	øDB	W	Weight kg/unit
				JIS10K				ANSI				DIN									
				øD	øC	n-øh	t	øD	øC	n-øh	t	øD	øC	n-øh	t						
<input type="checkbox"/> 65 (2 1/2)		67	250±1.5	175	140	4-19	22	175	139.5	4-20	22	185	145	4-18	18	474	386	285	124	171	15.9
<input type="checkbox"/> 80 (3)		80	280±1.5	185	150	8-19	22	190	152.5	4-20	22	200	160	8-18	20	485	392	285	124	202	17.5
<input type="checkbox"/> 100 (4)		100	340±1.5	210	175	8-19	24	230	190.5	8-20	24	220	180	8-18	20	535	430	340	151	256	27.3

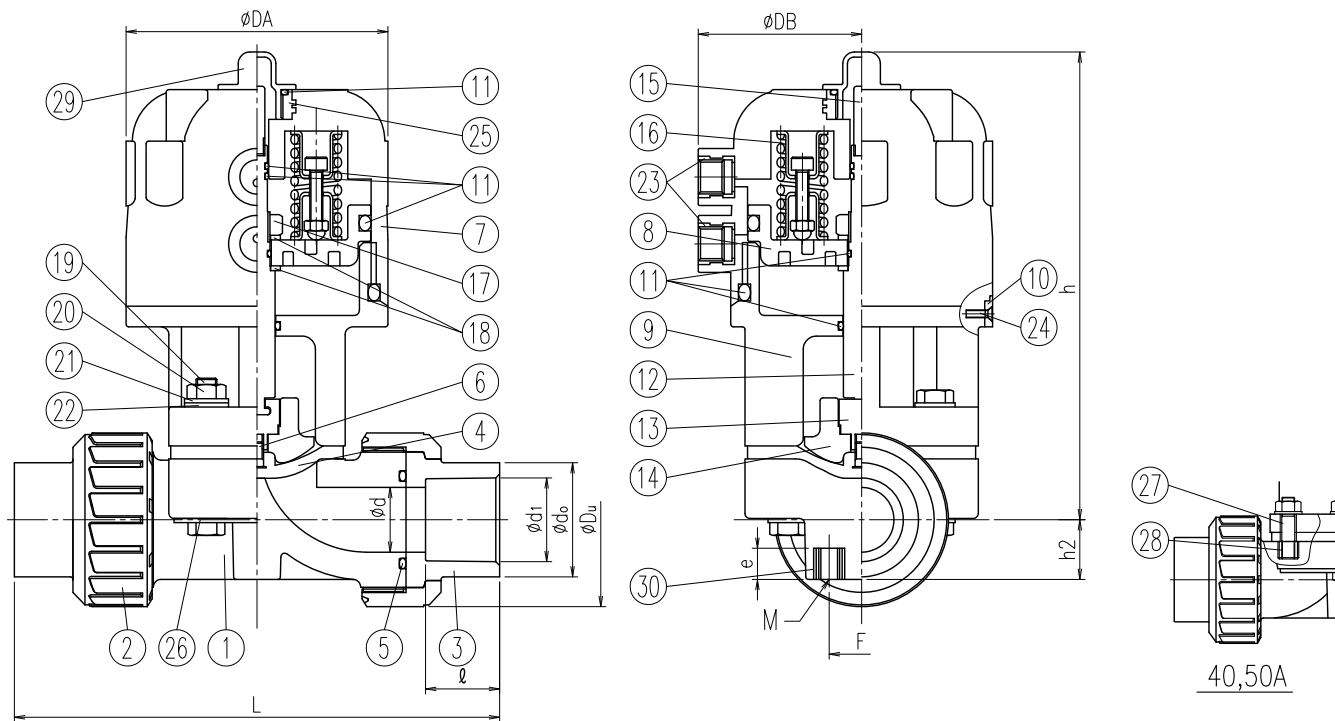
Note)

1. Flange dimension is in accordance with the following standard; JIS B 2220 for JIS10K, ANSI B16.5 for ANSI and DIN2501 PN10/PN16 (ISO7005 PN10) for DIN
2. Max. Permissible Working Pressure (at 20°C) : 0.7MPa

Client name	Date
Flange Standard <input type="checkbox"/> JIS10K <input type="checkbox"/> ANSI <input type="checkbox"/> DIN	Approved by:
Oil Free <input type="checkbox"/> YES	

ESLON Pneumatic Diaphragm Valve Type-F  
Air To Open (Fail Close) / Flange Type 65-100A  
Drawing No. FDAS651HFE

**SEKISUI SEKISUI CHEMICAL CO.,LTD.**



No.	Part Name	Q'TY	Material/Type
1	Body	1	□PVC
2	Union Nut	2	□HT (JIS: Brown)
3	TS Socket	2	□CPVC (ANSI-DIN: Gray)
4	Diaphragm	1	□EPDM □PTFE+EPDM □PTFE+PVDF+EPDM
5	O-Ring	2	□EPDM □FKM
6	Diaphragm Stud Bolt	1	SUS304
7	Cover	1	GF-PP
8	Piston	1	GF-PP
9	Housing	1	GF-PP
10	Positioning	1	GF-PP
11	O-Ring	7	NBR
12	Spindle	1	SUS304
13	Connecting Nut	1	C3604
14	Compressor	1	GF-PP
15	Indicator	1	GF-PP
16	Spring unit	-	Spring Steel
17	Hexagon Nut	1	SUS304
18	Washer	2	SUS304
19	Hexagon Head Bolt	-	SUS304
20	Hexagon Nut	-	SUS304
21	Spring Washer	-	SUS304
22	Washer	-	SUS304
23	Air Intake Port	2	SUS304 (Rc1/4)
24	Screw	1	SUS304
25	Cover Insert Nut	1	SUS304
26	Reinforcing Plate ※2)	2	SUS304
27	Stud Bolt	-	SUS304 ※1)
28	Insert Nut	-	C3604 ※1)
29	Cap Cover	1	PC
30	Fixing Insert Nut	2	C3604

※1) 40,50A

※2) Only HT,CPVC

Dimension Table

Unit: mm

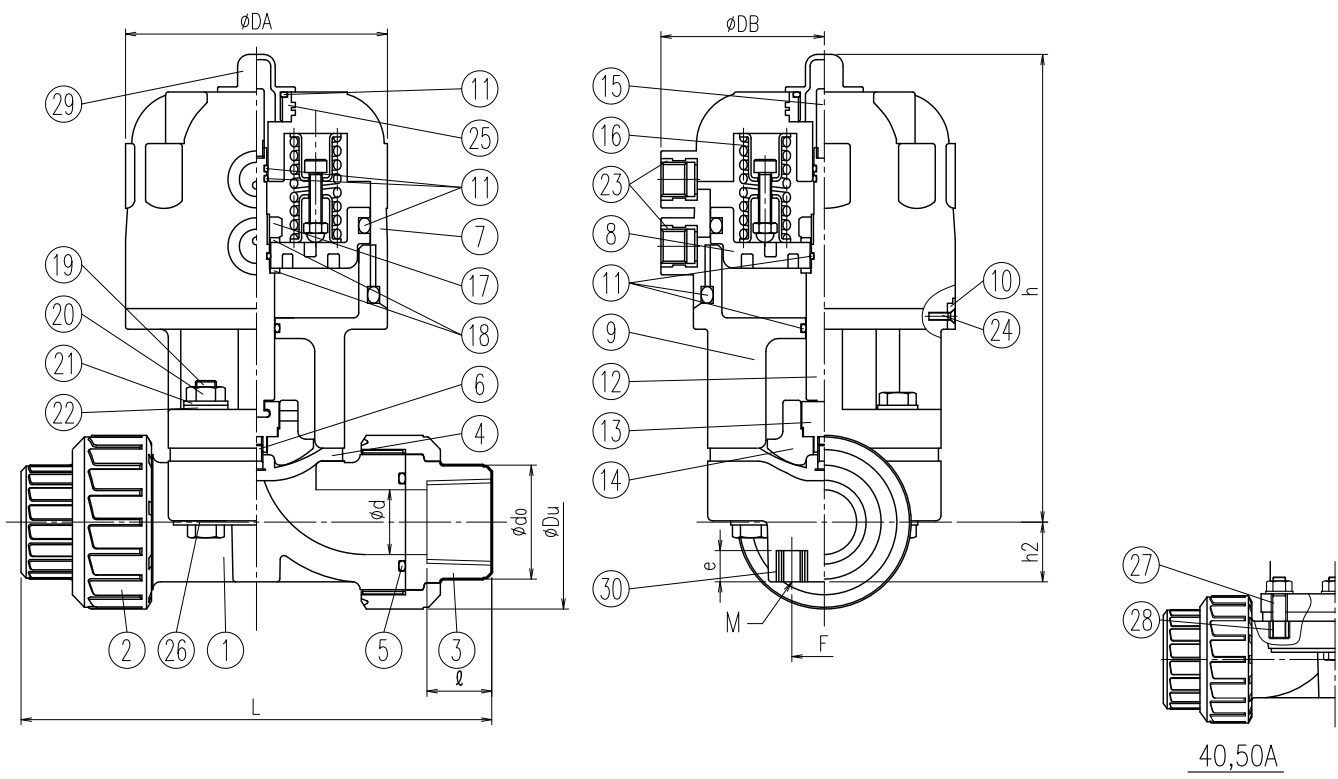
Size	A (B)	ød	ødo	JIS				ASTM				DIN				h	h2	øDu	øDA	øDB	Fixing Insert Nut		Weight kg/unit
				L	ød1	1/T	ℓ	L	ød1	1/T	ℓ	L	ød1	1/T	ℓ						F	MXe	
□ 15(1/2)	16	33	144±3.0	22.3	1/37	22	137±3.0	21.54	1/72	22.22	126±3.0	20.3	1/65	16	176	15.0	49	101	63	25	M6x12	1.4	
□ 20(3/4)	20	35	172±3.0	26.3	1/42	25	158±3.0	26.87	1/85	25.40	146±3.0	25.3	1/80	19	176	18.0	59	101	63	25	M6x12	1.5	
□ 25(1)	25	44	187±3.0	32.3	1/43	29	177±3.0	33.65	1/75	28.58	165±3.0	32.3	1/95	22	183	23.0	67	101	63	25	M6x12	1.6	
□ 32(1•1/4)	32	54	210±3.0	38.4	1/37	32	190±3.0	42.42	1/84	31.75	179±3.0	40.3	1/115	26	183	23.0	81	101	63	25	M6x12	1.9	
□ 40(1•1/2)	40	66	262±3.0	48.5	1/38	35	258±3.0	48.56	1/78	34.93	247±3.0	50.3	1/140	31	307	32.5	98	155	90	45	M8x12	8.0	
□ 50(2)	50	77	298±3.0	60.7	1/34	38	283±3.0	60.63	1/83	38.10	284±3.0	63.3	1/175	38	308	37.5	120	155	90	45	M8x12	8.9	

Note) 1. TS socket dimension is in accordance with the following standard;ASTM:ASTM D2467,DIN:DIN2501 PN10/PN16 (ISO7005 PN10)

2. If a fixing insert bolt, should not be screwed in beyond dimension e.

3. Max. Working Pressure (at20°C) : Specification of 10K:1.0MPa, 7K:0.7MPa

Client name		Date
Valve pressure	□10K □7K	Approved by:
Socket Standard	□JIS □ASTM □DIN	
Oil Free	□YES	
ESLON PNEUMATIC DIAPHRAGM VALVE TYPE--F Air To Open ( Fail Close) /TS Socket 15-50A		
Drawing No.  FDAS1550SE		
<b>SEKISUI SEKISUI CHEMICAL CO.,LTD.</b>		



No.	Part Name	Q'TY	Material/Type
1	Body	1	□PVC
2	Union Nut	2	□PVDF
3	Thread Socket	2	
4	Diaphragm	1	□EPDM □PTFE+EPDM □PTFE+PVDF+EPDM
5	O-Ring	2	□EPDM □FKM
6	Diaphragm Stud Bolt	1	SUS304
7	Cover	1	GF-PP
8	Piston	1	GF-PP
9	Housing	1	GF-PP
10	Positioning	1	GF-PP
11	O-Ring	7	NBR
12	Spindle	1	SUS304
13	Connecting Nut	1	C3604
14	Compressor	1	GF-PP
15	Indicator	1	GF-PP
16	Spring unit	-	Spring Steel
17	Hexagon Nut	1	SUS304
18	Washer	2	SUS304
19	Hexagon Head Bolt	-	SUS304
20	Hexagon Nut	-	SUS304
21	Spring Washer	-	SUS304
22	Washer	-	SUS304
23	Air Intake Port	2	SUS304 (Rc1/4)
24	Screw	1	SUS304
25	Cover Insert Nut	1	SUS304
26	Reinforcing Plate ※2)	2	SUS304
27	Stud Bolt	-	SUS304 ※1)
28	Insert Nut	-	C3604 ※1) (PVC) SUS304 ※1) (PVDF)
29	Cap Cover	1	PC
30	Fixing Insert Nut	2	C3604

※1) 40,50A  
 ※2) Only PVDF

Dimension Table

unit:mm

Size	A(B)	ød	JIS:Rc				ANSI:NPT			DIN:Rp			h	h2	øDu	øDA	øDB	Fixing Insert Nut		Weight kg/unit
			L	ℓ	ødo	L	ℓ	ødo	L	ℓ	ødo	F						MXe		
																			PVC	
□ 15 (1/2)	16	133±3.0	134±3.0	18	20	30	133±3.0	18	30	133±3.0	18	30	176	15.0	49	101	63	25	M6x12	1.4
□ 20 (3/4)	20	157±3.0	157±3.0	18	22	35	157±3.0	18	35	157±3.0	18	35	176	18.0	59	101	63	25	M6x12	1.5
□ 25 (1)	25	173±3.0	180±3.0	23	24	44	173±3.0	23	44	173±3.0	23	44	183	23.0	67	101	63	25	M6x12	1.6
□ 32 (1·1/4)	31	188±3.0	191±3.0	23	25	54	188±3.0	23	54	188±3.0	23	54	183	23.0	81	101	63	25	M6x12	1.9
□ 40 (1·1/2)	40	248±3.0	254±3.0	25	28	65	248±3.0	25	65	248±3.0	25	65	307	32.5	98	155	90	45	M8x12	8.0
□ 50 (2)	50	280±3.0	290±3.0	30	30	77	269±3.0	30	77	269±3.0	30	77	308	37.5	120	155	90	45	M8x12	8.9

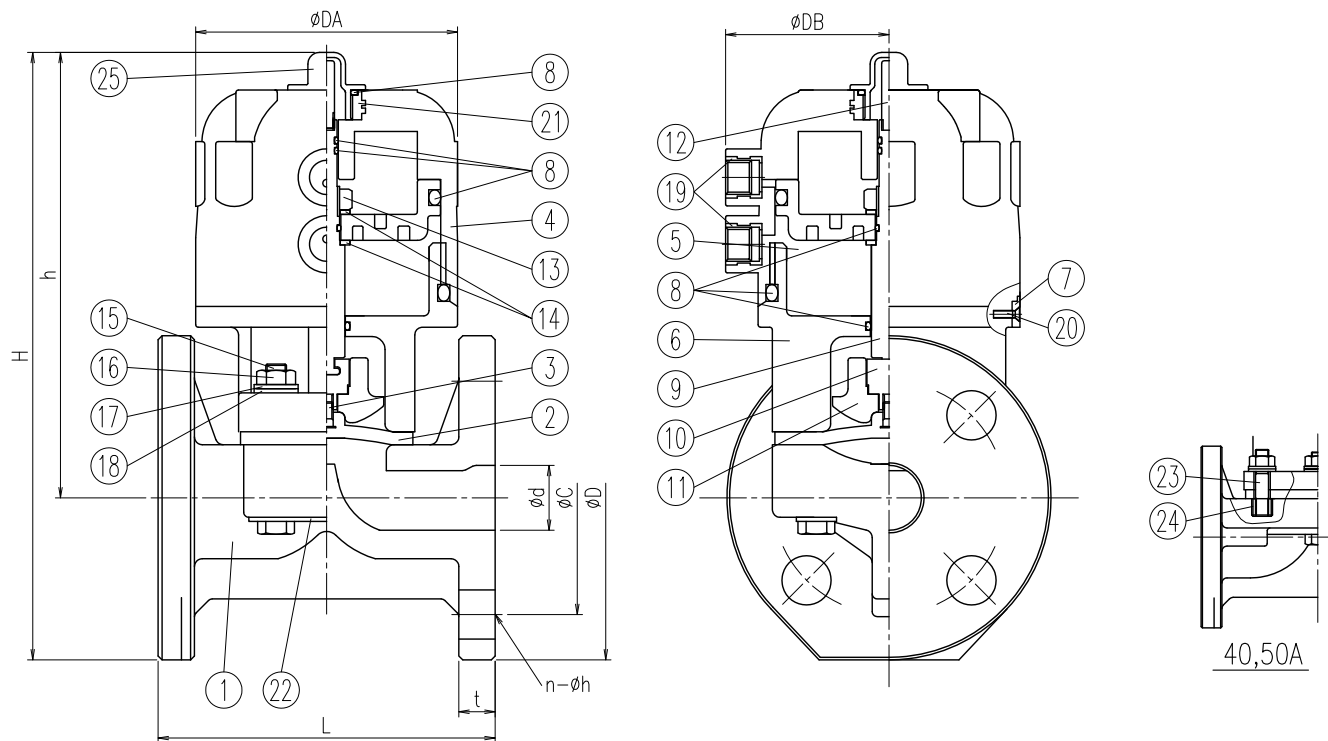
Note) 1. Thread dimension is in accordance with the following standard;JIS:JIS B 0203,ANSI:ANSI B1.20.1,DIN:DIN2501 PN10/PN16(ISO7005 PN10)  
 2. If a fixing insert bolt,should not be screwed in beyond dimension e.  
 3. Max.Working Pressure (at20°C) : Specification of 10K:1.0MPa. 7K:0.7MPa

Client name		Date
Valve pressure	□10K □7K	Approved by:
Screw Socket	□Rc □NPT □Rp	
Oil Free	□YES	

ESLON PNEUMATIC DIAPHRAGM VALVE TYPE-F  
 Air To Open ( Fail Close) / Thread Socket 15-50A  
 Drawing No. FDAS1550NE

**SEKISUI SEKISUI CHEMICAL CO.,LTD.**





No.	Part Name	Q'TY	Material/Type
1	Body	1	<input type="checkbox"/> PVC
			<input type="checkbox"/> HT (JIS: Brown)
			<input type="checkbox"/> CPVC (ANSI·DIN: Gray)
			<input type="checkbox"/> PP
			<input type="checkbox"/> PVDF
2	Diaphragm	1	<input type="checkbox"/> EPDM
			<input type="checkbox"/> PTFE+EPDM
			<input type="checkbox"/> PTFE+PVDF+EPDM
3	Diaphragm Stud Bolt	1	SUS304
4	Cover	1	GF-PP
5	Piston	1	GF-PP
6	Housing	1	GF-PP
7	Positioning	1	GF-PP
8	O-Ring	7	NBR
9	Spindle	1	SUS304
10	Connecting Nut	1	C3604
11	Compressor	1	GF-PP
12	Indicator	1	GF-PP
13	Hexagon Nut	1	SUS304
14	Washer	2	SUS304
15	Hexagon Head Bolt	-	SUS304
16	Hexagon Nut	-	SUS304
17	Spring Washer	-	SUS304
18	Washer	-	SUS304
19	Air Intake Port	2	SUS304 (Rc1/4)
20	Screw	1	SUS304
21	Cover Insert Nut	1	SUS304
22	Reinforcing Plate *2)	2	SUS304
23	Stud Bolt	-	SUS304 *1)
24	Insert Nut	-	(PVC, CPVC, HT, PP) C3604 *1) (PVDF) SUS304 *1)
25	Cap Cover	1	PC

\*1) 40,50A  
\*2) Only HT,CPVC,PP,PVDF

Dimension Table

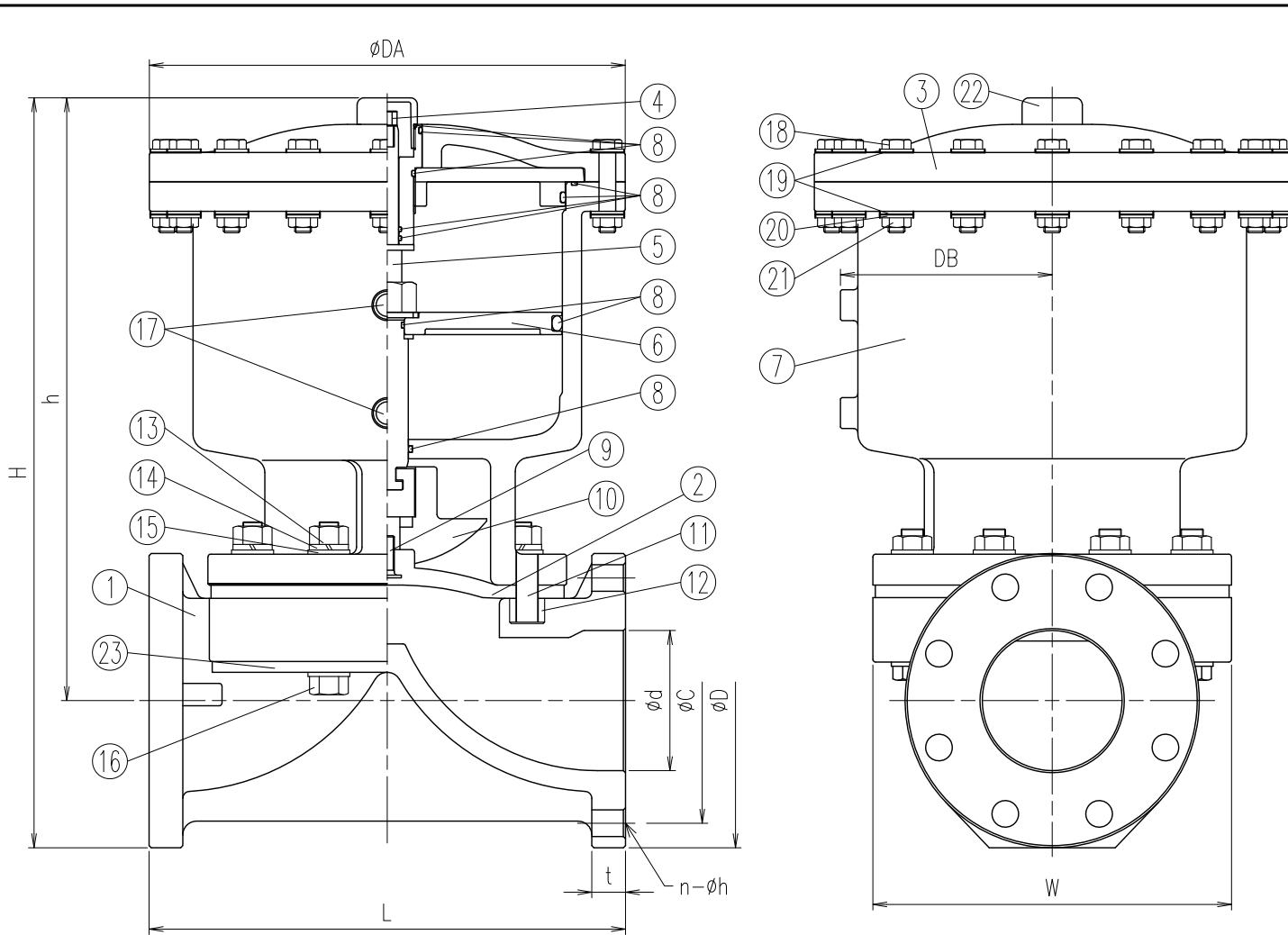
Unit: mm

Size	A(B)	$\phi d$	L	JIS10K				ANSI				DIN				H	h	$\phi DA$	$\phi DB$	Weight kg/unit
				$\phi D$	$\phi C$	n- $\phi h$	t	$\phi D$	$\phi C$	n- $\phi h$	t	$\phi D$	$\phi C$	n- $\phi h$	t					
<input type="checkbox"/> 15(1/2)	16	110±1.5	95	70	4-15	14	90	60.5	4-16	11	95	65	4-14	14	223	176	101	63	1.0	
<input type="checkbox"/> 20(3/4)	20	120±1.5	100	75	4-15	14	100	70.0	4-16	13	105	75	4-14	14	226	176	101	63	1.1	
<input type="checkbox"/> 25(1)	25	130±1.5	125	90	4-19	14	110	79.5	4-16	14	115	85	4-14	14	246	183	101	63	1.1	
<input type="checkbox"/> 32(1·1/4)	32	142±1.5	135	100	4-19	16	117	89.0	4-16	15.7	140	100	4-18	15	251	183	101	63	1.4	
<input type="checkbox"/> 40(1·1/2)	41	180±1.5	140	105	4-19	16	127	98.5	4-16	17	150	110	4-18	16	373	303	155	90	6.5	
<input type="checkbox"/> 50(2)	52	210±1.5	155	120	4-19	20	155	120.5	4-20	19	165	125	4-18	20	384	307	155	90	7.4	

Note) 1. Flange dimension is in accordance with the following standard;  
 JIS B 2220 for JIS10K, ANSI B16.5 for ANSI and DIN2501 PN10/PN16 (ISO7005 PN10) for DIN  
 2. Max.Working Pressure (at20°C) : 1.0MPa

Client name			Date
Flange Standard	<input type="checkbox"/> JIS10K <input type="checkbox"/> ANSI <input type="checkbox"/> DIN	Approved by:	
Oil Free	<input type="checkbox"/> YES		

ESLON Pneumatic Diaphragm Valve Type-F  
 Double Action/Flange Type 15-50A  
 Drawing No. IFDAD1550FE  
**SEKISUI SEKISUI CHEMICAL CO.,LTD.**



No.	Part Name	Q'TY	Material/Type
1	Body	1	<input type="checkbox"/> PVC
			<input type="checkbox"/> HT (JIS: Brown)
			<input type="checkbox"/> CPVC (ANSI-DIN: Gray)
			<input type="checkbox"/> PP
			<input type="checkbox"/> PVDF
2	Diaphragm	1	<input type="checkbox"/> EPDM
			<input type="checkbox"/> FKM
			<input type="checkbox"/> PTFE+EPDM
			<input type="checkbox"/> PTFE+PVDF+EPDM
3	Bonnet	1	GF-PP
4	Indicator	1	GF-PP
5	Spindle	1	SUS304
6	Piston	1	A6061
7	Housing	1	GF-PP
8	O-Ring	10	NBR
9	Diaphragm Stud Bolt	1	SUS304
10	Compressor	1	GF-PP
11	Stud Bolt	4	SUS304
12	Insert Nut	4	C3604 (PVDF: SUS304)
13	Hexagon Nut	8	SUS304
14	Spring Washer	8	SUS304
15	Washer	12	SUS304
16	Hexagon Head Bolt	4	SUS304
17	Air Intake Port	2	SUS304 (Rc1/4)
18	Hexagon Head Bolt	-	SUS304
19	Washer	-	SUS304
20	Spring Washer	-	SUS304
21	Hexagon Nut	-	SUS304
22	Indicator Cover	1	PC
23	Reinforcing Plate *1)	2	SUS304

\* 1) Only HT,CPVC,PP,PVDF

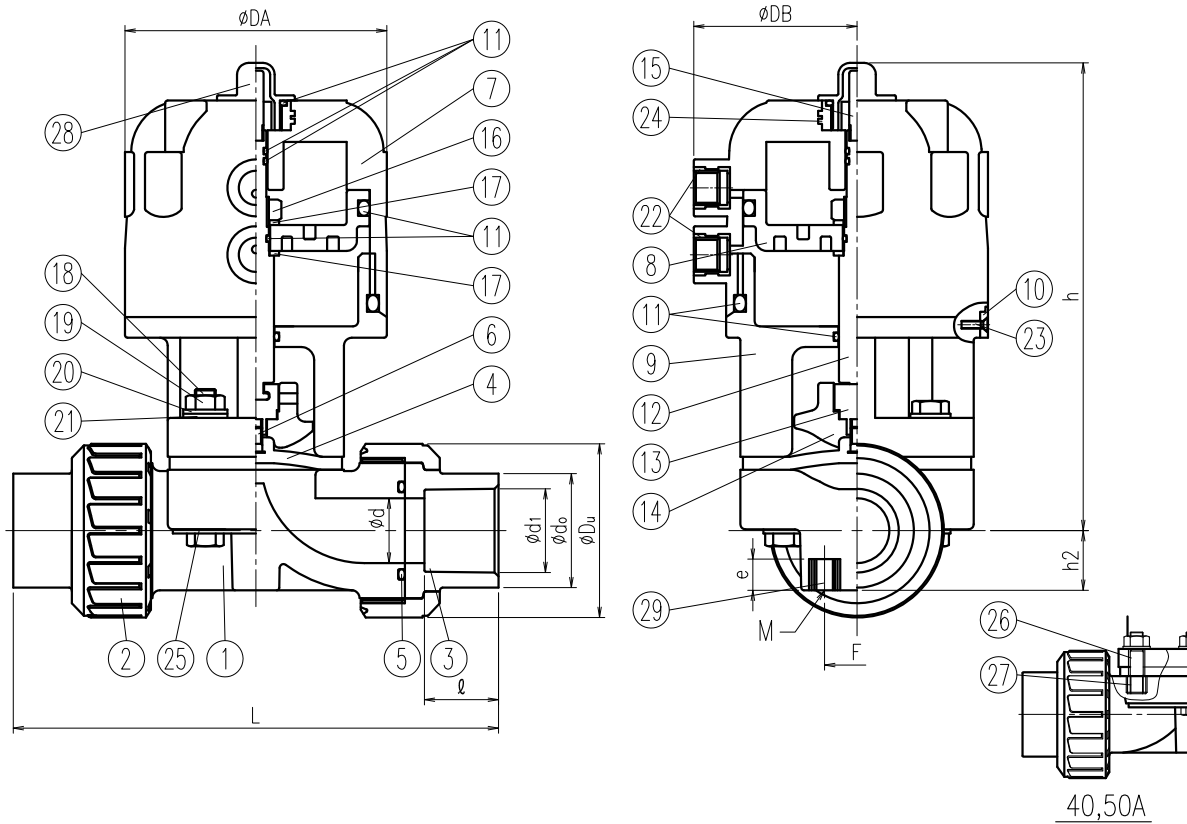
Dimension Table

Size	A(B)	$\phi d$	L	FLANGE												H	h	$\phi DA$	$\phi DB$	W	Weight kg/unit
				JIS10K				ANSI				DIN									
				$\phi D$	$\phi C$	n- $\phi h$	t	$\phi D$	$\phi C$	n- $\phi h$	t	$\phi D$	$\phi C$	n- $\phi h$	t						
<input type="checkbox"/> 65 (2 1/2)		67	250±1.5	175	140	4-19	22	175	139.5	4-20	22	185	145	4-18	18	474	386	285	124	171	11.9
<input type="checkbox"/> 80 (3)		80	280±1.5	185	150	8-19	22	190	152.5	4-20	22	200	160	8-18	20	485	392	285	124	202	13.5
<input type="checkbox"/> 100 (4)		100	340±1.5	210	175	8-19	24	230	190.5	8-20	24	220	180	8-18	20	535	430	340	151	256	21.3

Note)

1. Flange dimension is in accordance with the following standard; JIS B 2220 for JIS10K, ANSI B16.5 for ANSI and DIN2501 PN10/PN16 (ISO7005 PN10) for DIN
2. Max. Permissible Working Pressure (at 20°C) : 0.7MPa

Client name		Date
Flange Standard <input type="checkbox"/> JIS10K <input type="checkbox"/> ANSI <input type="checkbox"/> DIN		Approved by:
Oil Free <input type="checkbox"/> YES		
ESLON Pneumatic Diaphragm Valve Type-F Double action / Flange Type 65-100A		
Drawing No. FDAD651HFE		
<b>SEKISUI SEKISUI CHEMICAL CO.,LTD.</b>		



No.	Part Name	Q'TY	Material/Type
1	Body	1	□PVC
2	Union Nut	2	□HT (JIS: Brown)
3	TS Socket	2	□CPVC (ANSI-DIN: Gray)
4	Diaphragm	1	□EPDM □PTFE+EPDM □PTFE+PVDF+EPDM
5	O-Ring	2	□EPDM □FKM
6	Diaphragm Stud Bolt	1	SUS304
7	Cover	1	GF-PP
8	Piston	1	GF-PP
9	Housing	1	GF-PP
10	Positioning	1	GF-PP
11	O-Ring	7	NBR
12	Spindle	1	SUS304
13	Connecting Nut	1	C3604
14	Compressor	1	GF-PP
15	Indicator	1	GF-PP
16	Hexagon Nut	1	SUS304
17	Washer	2	SUS304
18	Hexagon Head Bolt	-	SUS304
19	Hexagon Nut	-	SUS304
20	Spring Washer	-	SUS304
21	Washer	-	SUS304
22	Air Intake Port	2	SUS304 (Rc1/4)
23	Screw	1	SUS304
24	Cover Insert Nut	1	SUS304
25	Reinforcing Plate ※2)	2	SUS304
26	Stud Bolt	-	SUS304 ※1)
27	Insert Nut	-	C3604 ※1)
28	Cap Cover	1	PC
29	Fixing Insert Nut	2	C3604

※1) 40,50A  
※2) Only HT,CPVC

Dimension Table

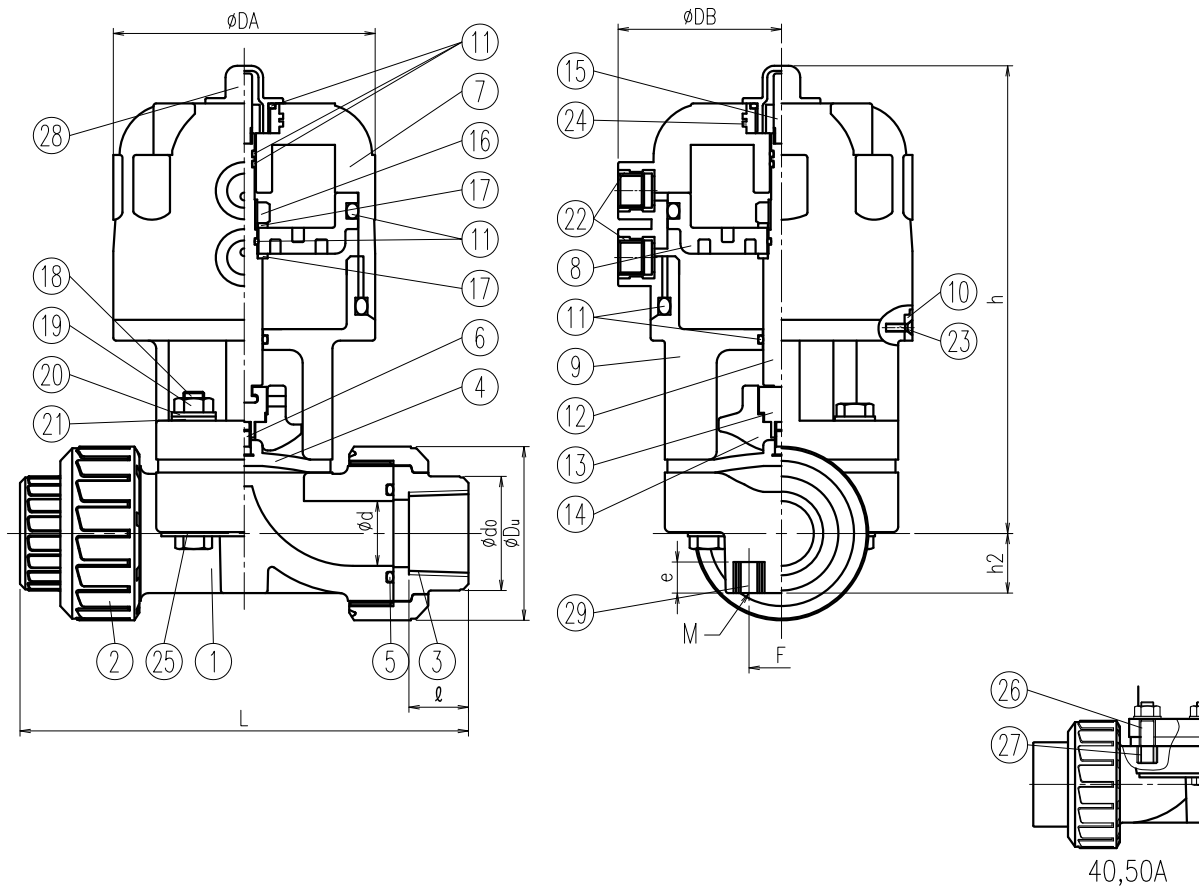
Unit: mm

SIZE	A (B)	ød	ødo	JIS				ASTM				DIN				h	h2	øDu	øDA	øDB	Fixing Insert Nut		Weight kg/unit
				L	ød1	1/T	ℓ	L	ød1	1/T	ℓ	L	ød1	1/T	ℓ						F	MXe	
□ 15(1/2)	16	33	144±3.0	22.3	1/37	22	137±3.0	21.54	1/72	22.22	126±3.0	20.3	1/65	16	176	15.0	49	101	63	25	M6x12	0.8	
□ 20(3/4)	20	35	172±3.0	26.3	1/42	25	158±3.0	26.87	1/85	25.40	146±3.0	25.3	1/80	19	176	18.0	59	101	63	25	M6x12	0.9	
□ 25(1)	25	44	187±3.0	32.3	1/43	29	177±3.0	33.65	1/75	28.58	165±3.0	32.3	1/95	22	183	23.0	67	101	63	25	M6x12	0.9	
□ 32(1·1/4)	32	54	210±3.0	38.4	1/37	32	190±3.0	42.42	1/84	31.75	179±3.0	40.3	1/115	26	183	23.0	81	101	63	25	M6x12	1.2	
□ 40(1·1/2)	40	66	262±3.0	48.5	1/38	35	258±3.0	48.56	1/78	34.93	247±3.0	50.3	1/140	31	307	32.5	98	155	90	45	M8x12	6.5	
□ 50(2)	50	77	298±3.0	60.7	1/34	38	283±3.0	60.63	1/83	38.10	284±3.0	63.3	1/175	38	308	37.5	120	155	90	45	M8x12	7.4	

Note) 1. TS socket dimension is in accordance with the following standard  
ASTM:ASTM D2467 and DIN2501 PN10/PN16 (ISO7005 PN10) for DIN  
2. If a fixing insert bolt, should not be screwed in beyond dimension e.  
3. Max. Working Pressure (at 20°C) : 1.0 MPa (at 20°C) EPDM/PTFE

Client name			Date
TS Socket	<input type="checkbox"/> JIS	<input type="checkbox"/> ASTM	<input type="checkbox"/> DIN
Oil Free	<input type="checkbox"/> YES		
Approved by:			

ESLON Pneumatic Diaphragm Valve Type-F  
Double Action Type/TS Socket 15~50A  
Drawing No. IFDAD1550SE  
**SEKISUI SEKISUI CHEMICAL CO.,LTD.**



No.	Part Name	Q'TY	Material/Type
1	Body	1	□PVC
2	Union Nut	2	□PVDF
3	Screw Socket	2	
4	Diaphragm	1	□EPDM □PTFE+EPDM □PTFE+PVDF+EPDM
5	O-Ring	2	□EPDM □FKM
6	Diaphragm Stud Bolt	1	SUS304
7	Cover	1	GF-PP
8	Piston	1	GF-PP
9	Housing	1	GF-PP
10	Positioning	1	GF-PP
11	O-Ring	7	NBR
12	Spindle	1	SUS304
13	Connecting Nut	1	C3604
14	Compressor	1	GF-PP
15	Indicator	1	GF-PP
16	Hexagon Nut	1	SUS304
17	Washer	2	SUS304
18	Hexagon Head Bolt	-	SUS304
19	Hexagon Nut	-	SUS304
20	Spring Washer	-	SUS304
21	Washer	-	SUS304
22	Air Intake Port	2	SUS304 (Rc1/4)
23	Screw	1	SUS304
24	Cover Insert Nut	1	SUS304
25	Reinforcing Plate ※2)	2	SUS304
26	Stud Bolt	-	SUS304 ※1)
27	Insert Nut	-	C3604 ※1) (PVC) SUS304 ※1) (PVDF)
28	Cap Cover	1	PC
29	Fixing Insert Nut	2	C3604

※1) 40,50A  
※2) Only PVDF

Dimension Table

Unit: mm

SIZE	A (B)	$\phi d$	JIS:Rc				$\phi do$	ANSI:NPT			DIN:Rp			h	h2	$\phi Du$	$\phi DA$	$\phi DB$	Fixing Insert Nut		Weight kg/unit
			L		$\ell$			L	$\ell$	$\phi do$	L	$\ell$	$\phi do$						F	MXe	
			PVC	PVDF	PVC	PVDF															
□ 15 (1/2)	16	16	133±3.0	134±3.0	18	20	30	133±3.0	18	30	133±3.0	18	30	176	15.0	49	101	63	25	M6x12	0.8
□ 20 (3/4)	20	20	157±3.0	157±3.0	18	22	35	157±3.0	18	35	157±3.0	18	35	176	18.0	59	101	63	25	M6x12	0.9
□ 25 (1)	25	25	173±3.0	180±3.0	23	24	44	173±3.0	23	44	173±3.0	23	44	183	23.0	67	101	63	25	M6x12	0.9
□ 32 (1·1/4)	31	31	188±3.0	191±3.0	23	25	54	188±3.0	23	54	188±3.0	23	54	183	23.0	81	101	63	25	M6x12	1.2
□ 40 (1·1/2)	40	40	248±3.0	254±3.0	25	28	65	248±3.0	25	65	248±3.0	25	65	307	32.5	98	155	90	45	M8x12	6.5
□ 50 (2)	50	50	280±3.0	290±3.0	30	30	77	269±3.0	30	77	269±3.0	30	77	308	37.5	120	155	90	45	M8x12	7.4

- Note) 1. Thread dimension is in accordance with the following standard;  
JIS:JIS B 0203,ANSI:ANSI B1.20.1,DIN:DIN2501 PN10/PN16 (ISO7005 PN10)  
2. If a fixing insert bolt, should not be screwed in beyond dimension e.  
3. Max. Working Pressure (at 20°C) : 1.0MPa

Client name			Date
Screw Socket	<input type="checkbox"/> Rc	<input type="checkbox"/> NPT	<input type="checkbox"/> Rp
Oil Free	<input type="checkbox"/> YES		
Approved by:			

ESLON Pneumatic Diaphragm Valve Type-F  
Double Action/Thread Socket 15-50A  
Drawing No. FDAD1550NE  
**SEKISUI SEKISUI CHEMICAL CO.,LTD.**