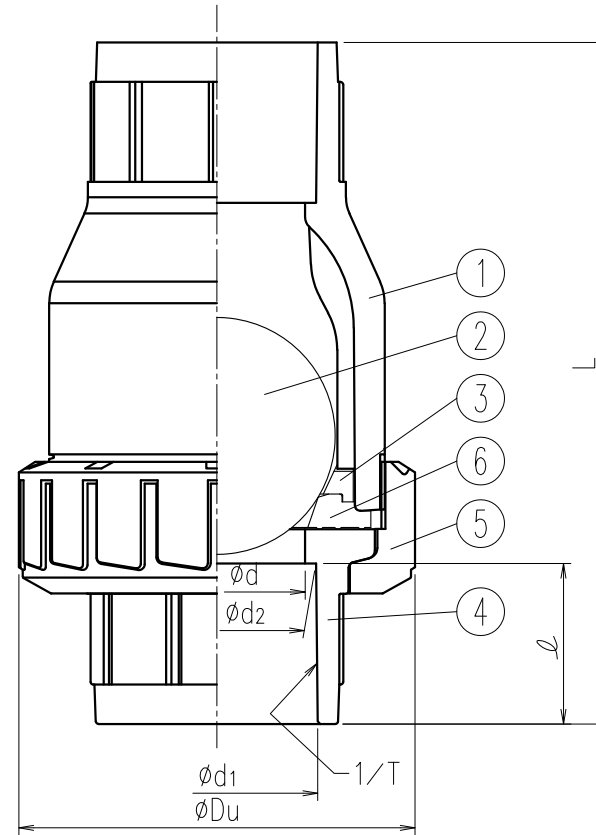


No.	Part Name	Q'TY	Material/ Color
1	Body	1	
2	Ball	1	□PVC
3	Seat Carrier	1	□HT (JIS: Brown)
4	Socket	1	□CPVC
5	Union nut	1	(ASTM·DIN: Gray)
6	Seat	1	□EPDM □FKM



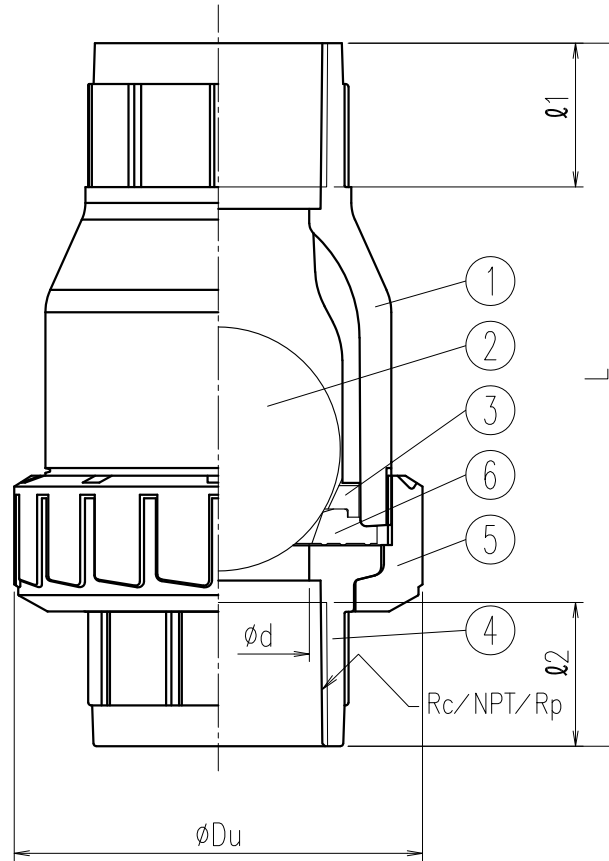
Dimension Table

Unit: mm

Size	A(B)	φd	φDu	JIS				ASTM				DIN			
				φd1	1/T	ℓ	L	φd1		ℓ	L	φd1	φd2	ℓ	L
								PVC	CPVC						
□ 15 (1/2)		16	49	22.3	1/37	22	98	21.54	21.23	22.2	95	20.3	20.1	16	83
□ 20 (3/4)		20	59	26.3	1/42	25	118	26.87	26.57	25.4	110	25.3	25.1	19	99
□ 25 (1)		25	67	32.3	1/43	29	124	33.65	33.27	28.6	119	32.3	32.1	22	106
□ 32 (1-1/4)		32	98	38.4	1/37	32	153	42.42	42.04	31.8	153	40.3	40.1	26	149
□ 40 (1-1/2)		40	98	48.5	1/38	35	153	48.56	48.11	35.0	151	50.3	50.1	31	142
□ 50 (2)		50	120	60.6	1/34	38	180	60.63	60.17	38.1	172	63.3	63.1	38	173
□ 65 (2-1/2)		65	150	76.6	1/48	61	259	73.38	72.85	44.5	218	75.3	75.1	44	218
□ 80 (3)		78	150	89.6	1/49	64	281	89.31	89.28	47.6	242	90.3	90.1	51	243
□ 100 (4)		102	228	114.7	1/56	84	404	114.76	114.10	57.2	340	110.4	110.4	61	344

Note) Socket dimension is in accordance with the following standard; ASTM: ASTM D2467. DIN: DIN8063

Client name		Date
Socket Standard	□JIS □ASTM □DIN	Approved by:
Oil Free	□YES	
ESLON Check Valve Ball Type		
TS Socket Type Size15(1/2") -100(4")		
Drawing No.	BC151HSE	
SEKISUI SEKISUI CHEMICAL CO.,LTD.		



No.	Part Name	Q'TY	Material/Color
1	Body	1	PVC
2	Ball	1	
3	Seat Carrier	1	
4	Female Thread	1	
5	Union Nut	2	
6	Seat	2	<input type="checkbox"/> EPDM <input type="checkbox"/> FKM

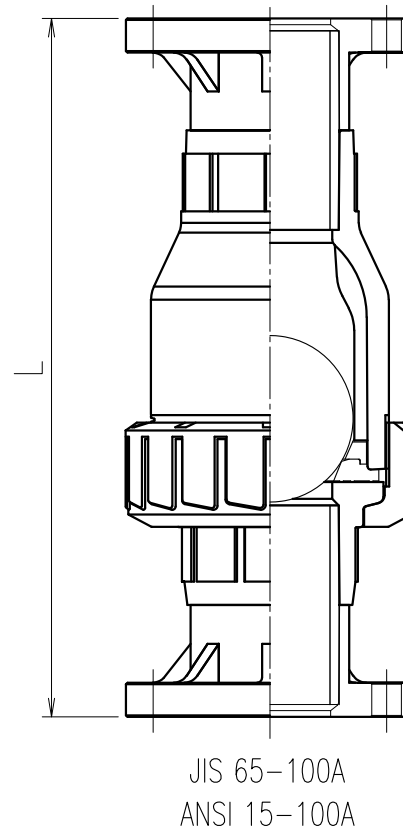
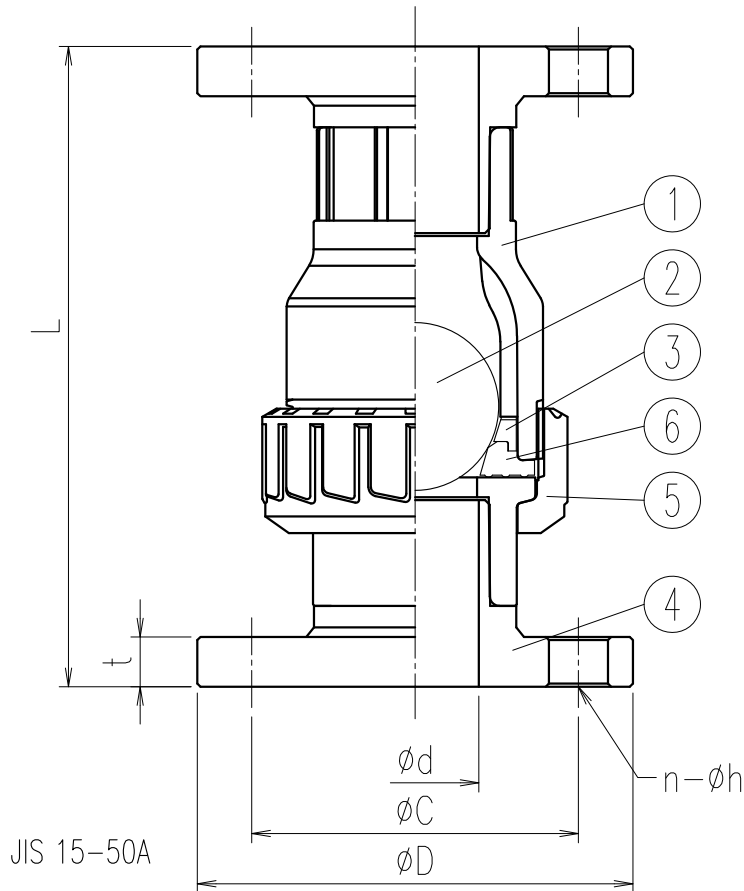
Dimension Table

Unit:mm

Size	A(B)	ϕd	ϕDu	JIS: Rc				ANSI: NPT			DIN: Rc, Rp		
				$\phi 1$	$\phi 2$	Rc	L	$\phi 1, \phi 2$	NPT	L	$\phi 1, \phi 2$	Rp/Rc	L
<input type="checkbox"/> 15 (1/2)		16	49	18.0	18	1/2	88	16.5	1/2	88	15.0	1/2	88
<input type="checkbox"/> 20 (3/4)		20	59	21.0	18	3/4	106	17.0	3/4	106	16.5	3/4	106
<input type="checkbox"/> 25 (1)		25	67	24.0	23	1	112	21.0	1	112	19.0	1	112
<input type="checkbox"/> 32 (1-1/4)		32	98	30.8	31	1-1/4	152	22.0	1-1/4	149	22.0	1-1/4	149
<input type="checkbox"/> 40 (1-1/2)		40	98	31.0	25	1-1/2	144	22.0	1-1/2	144	22.0	1-1/2	144
<input type="checkbox"/> 50 (2)		50	120	38.0	30	2	172	23.0	2	172	26.0	2	172
<input type="checkbox"/> 65 (2-1/2)		65	150	44.5	32	2-1/2	226	31.0	2-1/2	218	31.0	2-1/2	218
<input type="checkbox"/> 80 (3)		78	150	37.0	37	3	251	37.0	3	242	37.0	3	243
<input type="checkbox"/> 100 (4)		102	228	55.0	45	4	346	35.0	4	335	40.0	4	335

Note) Thread dimension is in accordance with the following standard;
 JIS: JIS B 0203, ANSI: ANSI B1.20.1, DIN: DIN2999

Client name		Date
Thread Standard	<input type="checkbox"/> JIS (Rc) <input type="checkbox"/> ANSI (NPT) <input type="checkbox"/> DIN (Rp) <input type="checkbox"/> DIN (Rc)	Approved by:
	Oil Free	
ESLON Check Valve Ball Type		
Female Thread Type Size 15 (1/2") - 100 (4")		
Drawing No.	BC151HNE	
SEKISUI SEKISUI CHEMICAL CO., LTD.		



No.	Part Name	Q'TY	Material/Color
1	Body	1	
2	Ball	1	□PVC
3	Seat Carrier	1	□HT (JIS: Brown)
4	Flange	2	□CPVC (ANSI: Gray)
5	Union nut	1	
6	Seat	1	□EPDM □FKM

Dimension Table

Unit: mm

Size	A(B)	ød	JIS10K Flange					ANSI Flange				
			L	øD	øC	n-øh	T	L	øD	øC	n-øh	T
□ 15 (1/2)	16	135	95	70	4-15	14	145	89	60.5	4-16	11.5	
□ 20 (3/4)	20	160	100	75	4-15	14	169	98	70.0	4-16	13.0	
□ 25 (1)	25	170	125	90	4-19	14	183	108	79.5	4-16	14.5	
□ 32 (1-1/4)	32	205	135	100	4-19	16	231	119	89.0	4-16	17.6	
□ 40 (1-1/2)	40	205	140	105	4-19	16	232	127	98.5	4-16	17.5	
□ 50 (2)	50	230	155	120	4-19	20	264	152	120.5	4-19	19.5	
□ 65 (2 1/2)	65	398	175	140	4-19	22	319	178	139.5	4-19	22.5	
□ 80 (3)	78	425	185	150	8-19	22	352	191	152.5	4-19	24.0	
□ 100 (4)	102	584	210	175	8-19	24	461	229	190.5	8-19	24.0	

Note) Flange dimension is in accordance with the following standard;
 JIS10K: JIS B 2220, ANSI: ASME/ANSI B16.5

Client name		Date
Flange Standard	□JIS10K □ANSI	Approved by:
Oil Free	□YES	

ESLON CHECK VALVE BALL TYPE
 FLANGE TYPE SIZE 15 (1/2") - 100 (4")

Drawing No. | BC151HFE

SEKISUI SEKISUI CHEMICAL CO.,LTD.