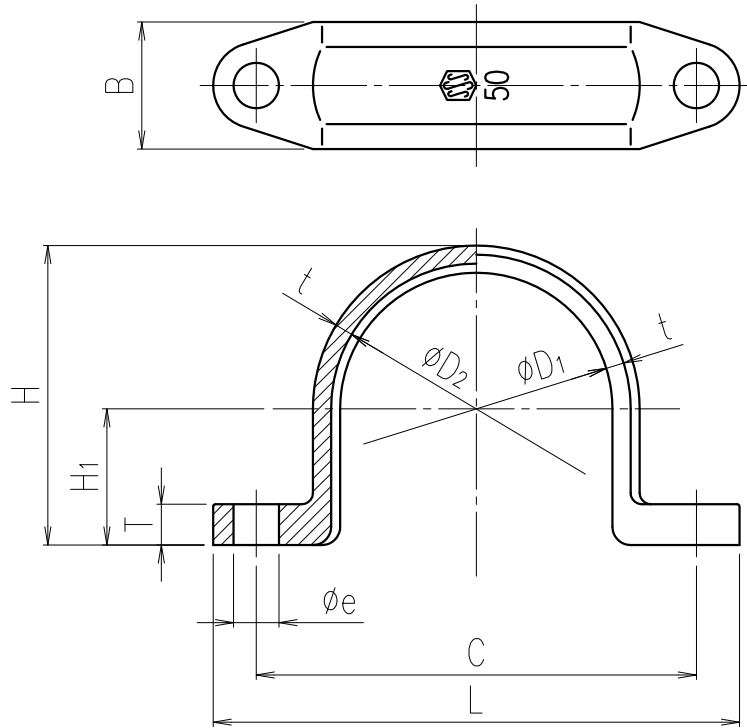


ESLON SADDLE BAND  
16-200A



Dimension Table

Unit:mm

	Size	Item number	$\phi D_1$	$\phi D_2$	t	C	L	$\phi e$	T	H1	H	B	BLOT	Qty per case
<input type="checkbox"/>	16	SBU16	22	24	3.0	42	53	6	5	11.0	26.0	15	M5	200
<input type="checkbox"/>	20	SBU20	26	29	3.0	48	59	6	5	13.0	30.5	18	M5	200
<input type="checkbox"/>	25	SBU25	32	35	3.0	54	65	6	6	16.0	36.5	18	M5	200
<input type="checkbox"/>	28	SBU28	34	37	3.0	59	73	7	7	17.0	38.5	20	M6	200
<input type="checkbox"/>	30	SBU30	38	41	4.0	66	80	7	7	19.0	43.5	20	M6	100
<input type="checkbox"/>	40	SBU40	48	52	4.0	90	109	10	9	24.0	54.0	25	M8	50
<input type="checkbox"/>	50	SBU50	60	64	4.0	97	116	10	9	30.0	66.0	28	M8	50
<input type="checkbox"/>	65	SBU65	76	81	4.0	114	134	10	10	38.0	82.5	30	M8	50
<input type="checkbox"/>	75	SBU75	89	94	4.0	134	158	12	11	44.5	95.5	38	M10	50
<input type="checkbox"/>	100	SBU1H	114	120	4.5	160	186	12	12	57.0	121.5	42	M10	25
<input type="checkbox"/>	125	SBU1Q	140	150	5.0	192	218	12	12	70.0	150.0	46	M10	15
<input type="checkbox"/>	150	SBU1F	165	177	8.0	238	268	17	14	82.5	179.0	50	M14	15
<input type="checkbox"/>	200	SBU2H	216	236	10.0	316	356	18	20	108.0	236.0	70	M16	6

ESLON SADDLE BAND  
16-200A

DWG No.

PSUB50AE

SEKISUI CHEMICAL CO.,LTD.

Date

2005.11.02

Approved by:

5-2006.03.31