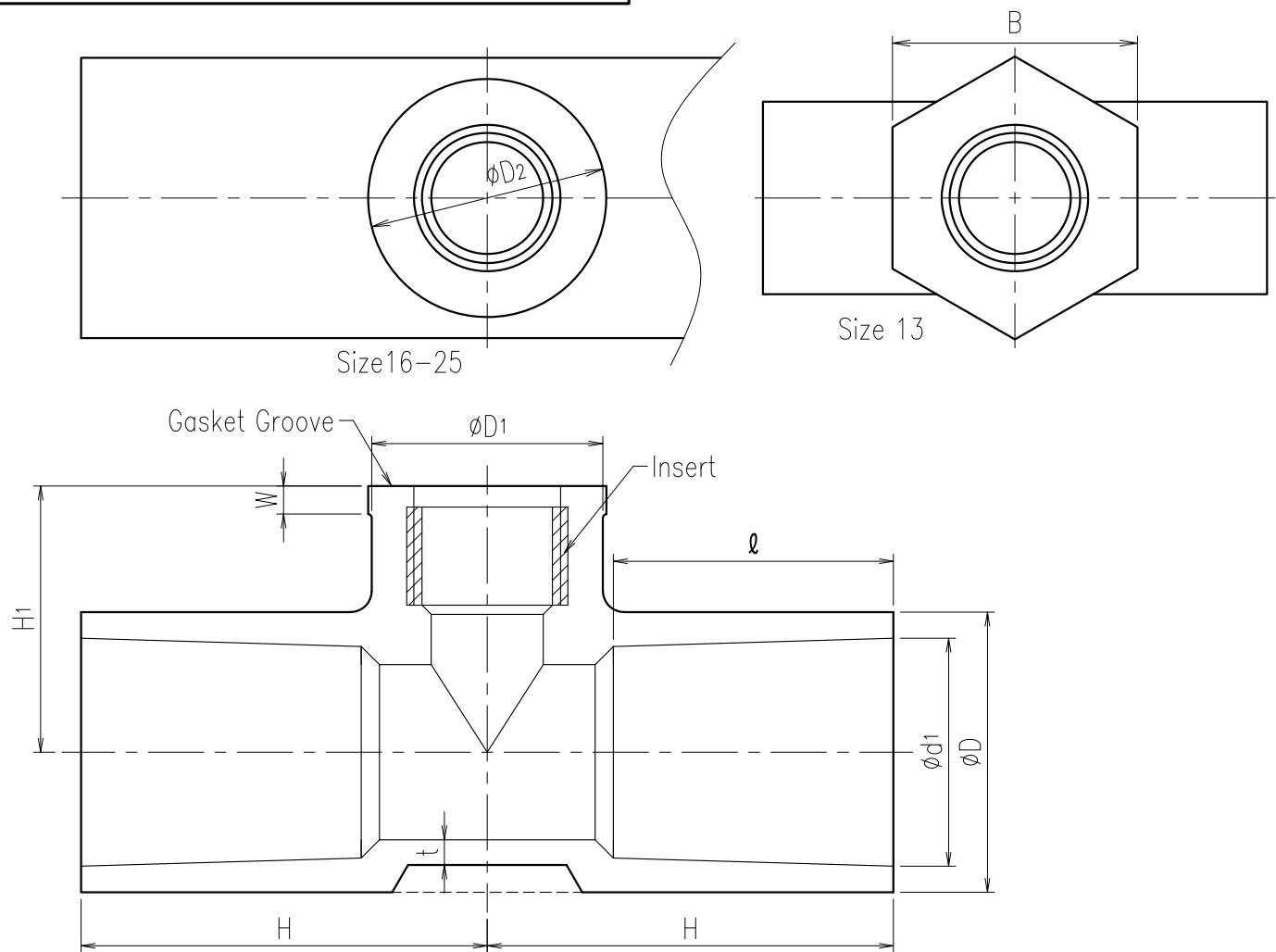


Esloclean
SUS Insert Faucet Tee



Dimension Table

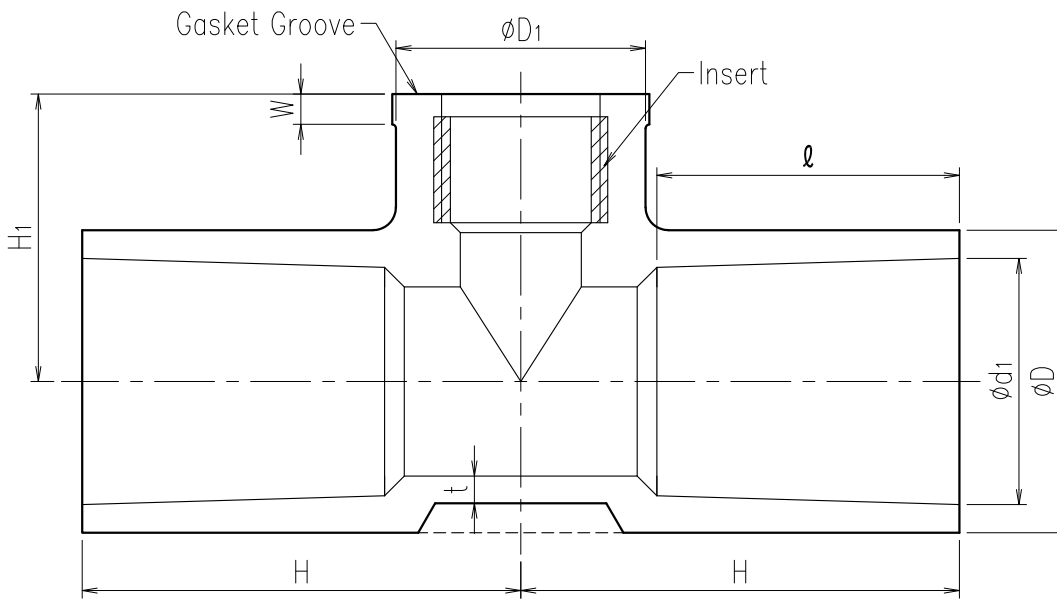
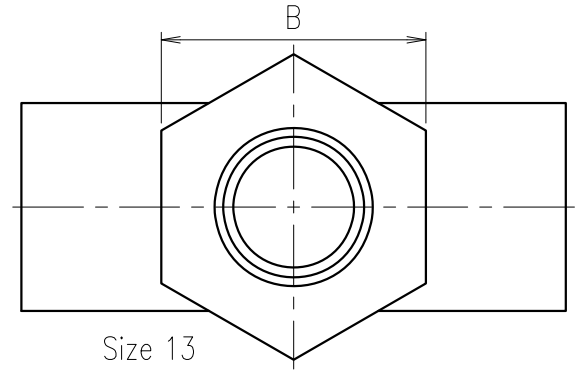
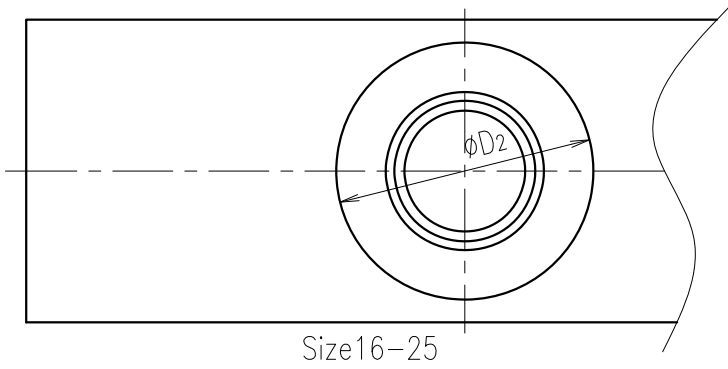
Unit: mm

	Size	ϕD	ϕD_1	ϕD_2	B	ϕd_1	H	H1	t	ℓ	W
□	13xRp3/8	27.5	34	—	35	18.30	34	29	3.0	20	10
□	13xRp1/2	27.5	34	—	35	18.30	36	32	3.0	20	10
□	16xRp3/8	29.0	33	34	—	22.40	43	32	3.2	30	4
□	16xRp1/2	29.0	33	34	—	22.40	43	32	3.2	30	4
□	20xRp3/8	33.0	33	34	—	26.45	48	34	3.2	35	4
□	20xRp1/2	33.0	33	34	—	26.45	48	34	3.2	35	4
□	25xRp3/8	40.0	33	34	—	32.55	53	38	3.6	40	4
□	25xRp1/2	40.0	33	34	—	32.55	53	38	3.6	40	4

1. The material of the screw part is SUS303.
2. The screw dimensions are in conformity with the parallel female threads of JIS B 0203 (Taper pipe threads).
3. Size13: Parts of W is hexagon-like. Other size: Parts of W is circle-like.
4. Socket bottom of size13 becomes the form of a dotted line.

Esloclean SUS Insert Faucet Tee		DWG No.
		WT252TNVE
SEKISUI SEKISUI CHEMICAL CO.,LTD.	Date	Approved by:
	2000.03.28	

HT Clean Fittings
SUS Insert Faucet Tee



Dimension Table

Unit: mm

	Size	ϕD	$\phi D1$	$\phi D2$	B	$\phi d1$	H	H1	t	ℓ	W
□	16xRp3/8	29.0	33	34	-	22.40	43	32	3.2	30	4
□	16xRp1/2	29.0	33	34	-	22.40	43	32	3.2	30	4
□	20xRp3/8	33.0	33	34	-	26.45	48	34	3.2	35	4
□	20xRp1/2	33.0	33	34	-	26.45	48	34	3.2	35	4
□	25xRp3/8	40.0	33	34	-	32.55	53	38	3.6	40	4
□	25xRp1/2	40.0	33	34	-	32.55	53	38	3.6	40	4

1. The material of the screw part is SUS303.
2. The screw dimensions are in conformity with the parallel female threads of JIS B 0203 (Taper pipe threads).
3. Size13: Parts of W is hexagon-like. Other size: Parts of W is circle-like.
4. Socket bottom of size13 becomes the form of a dotted line.

HT Clean Fittings SUS Insert Faucet Tee		DWG No.
		WL251TNT
SEKISUI SEKISUI CHEMICAL CO.,LTD.	Date	Approved by:
	2000.03.28	