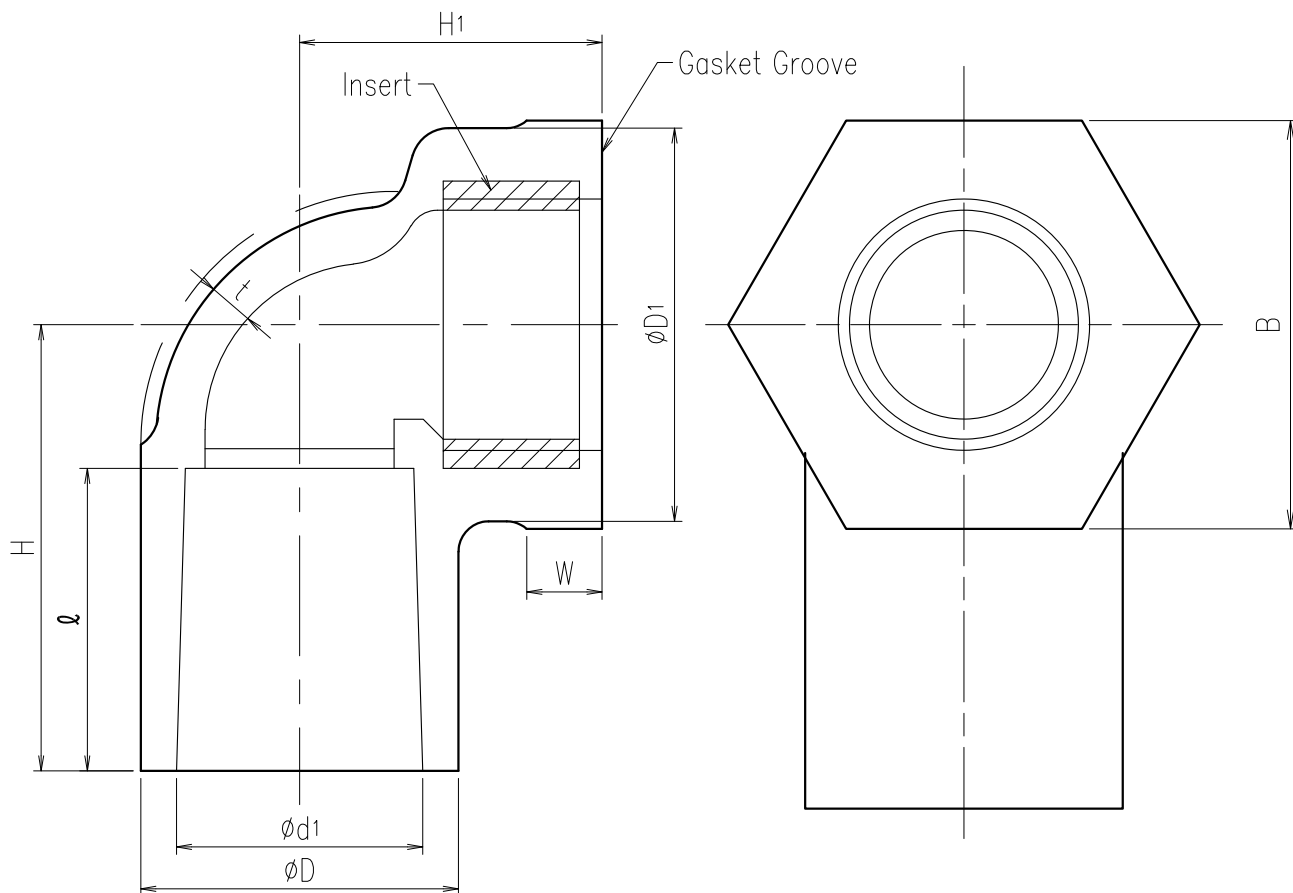


Esloclean
SUS Insert Faucet Elbow



Dimension Table

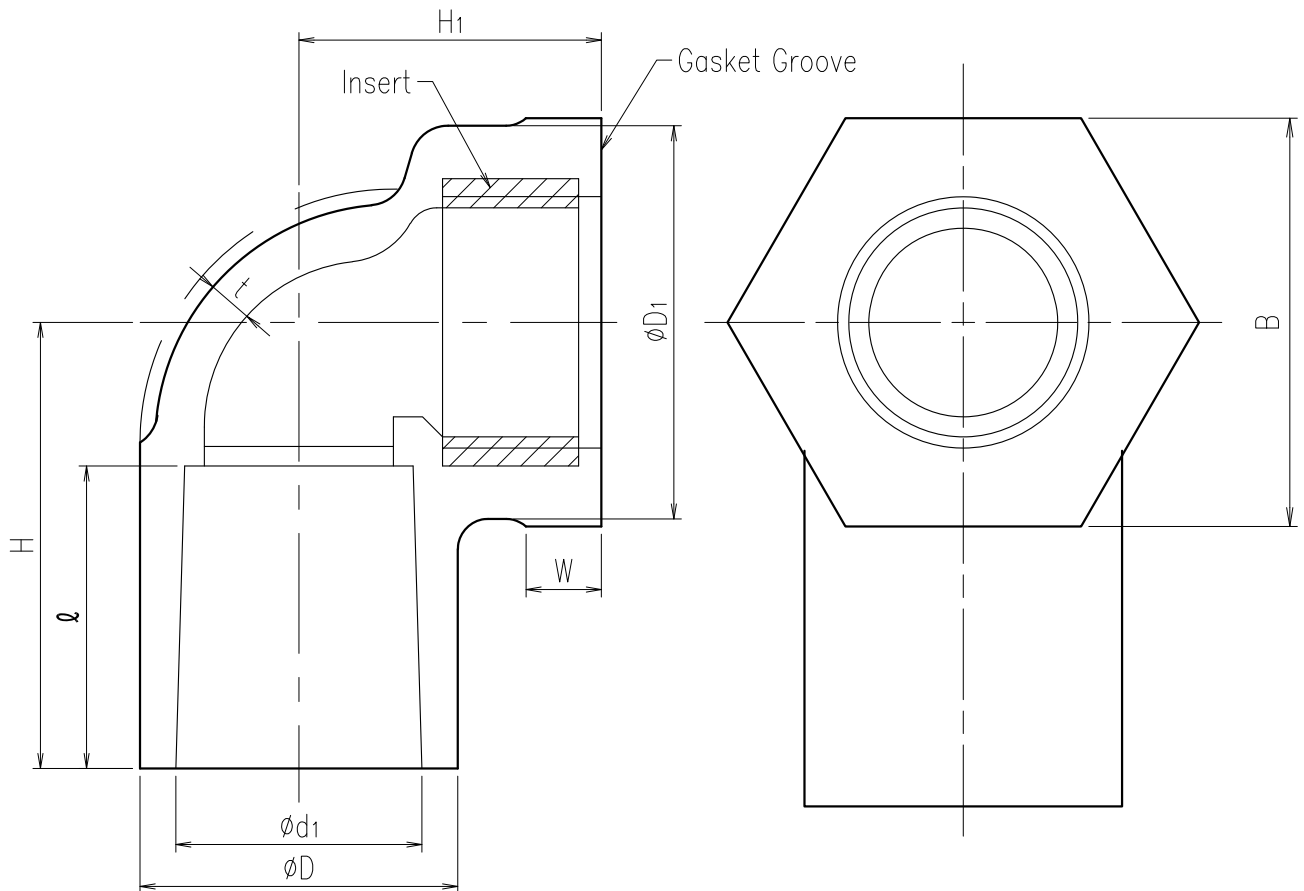
Unit: mm

Size	A x Rp	ϕD	$\phi D1$	B	$\phi d1$	H	H1	t	ϕ	W
□	13xRp3/8	27.5	34	35	18.30	33	29	3.0	20	10
□	13xRp1/2	27.5	34	35	18.30	33	29	3.0	20	10
□	16xRp3/8	31.0	34	35	22.35	38	32	3.2	25	10
□	16xRp1/2	31.0	34	35	22.35	38	32	3.2	25	10
□	20xRp1/2	36.0	42	44	26.35	51	36	3.2	35	10
□	25xRp1	42.0	52	54	32.50	64	40	3.6	40	10

1. The material of the screw part is SUS303.
2. The screw dimensions are in conformity with the parallel female threads of JIS B 0203 (Taper pipe threads).
3. Parts of W is hexagon-like.

Esloclean SUS Insert Faucet Elbow		図番
		WL251TNVE
SEKISUI 積水化学工業株式会社	日付	承認印
	2000.03.28	

HT Clean Fittings
SUS Insert Faucet Elbow



Dimension Table

Unit: mm

Size	A x Rp	ϕD	$\phi D1$	B	$\phi d1$	H	H1	t	ϕ	W
□	16xRp3/8	31.0	34	35	22.35	38	32	3.2	25	10
□	16xRp1/2	31.0	34	35	22.35	38	32	3.2	25	10
□	20xRp1/2	36.0	42	44	26.35	51	36	3.2	35	10
□	25xRp1	42.0	52	54	32.50	64	40	3.6	40	10

1. The material of the screw part is SUS303.
2. The screw dimensions are in conformity with the parallel female threads of JIS B 0203 (Taper pipe threads).
3. Parts of W is hexagon-like.

HT Clean Fittings SUS Insert Faucet Elbow		DWG No.
		WL251TNTE
SEKISUI SEKISUI CHEMICAL CO.,LTD.	Date	Approved by:
	2000.03.28	