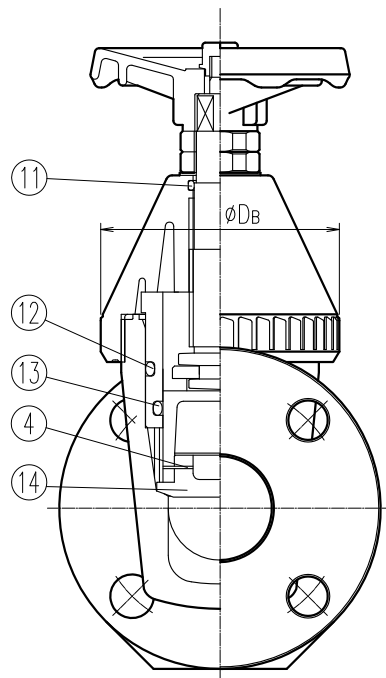
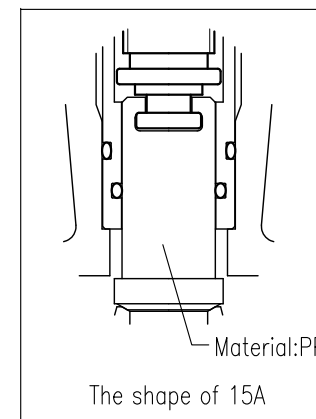


FULL CLOSE



No.	Part Name	Q'ty	Material	
1	Body	1	PVC	
2	Bonnet	1		
3	Stopper nut	2		
4	Pin	-		
5	Handle nut	1		
6	Stem	1		
7	Bush	1		
8	Disc holder	1		
9	Handle	1		ABS
10	Thrust washer (40,50A)	1		PTFE
11	O-ring	1		NBR
12	O-ring	1		EPDM
13	O-ring	1		FKM
14	Disc	1		PP



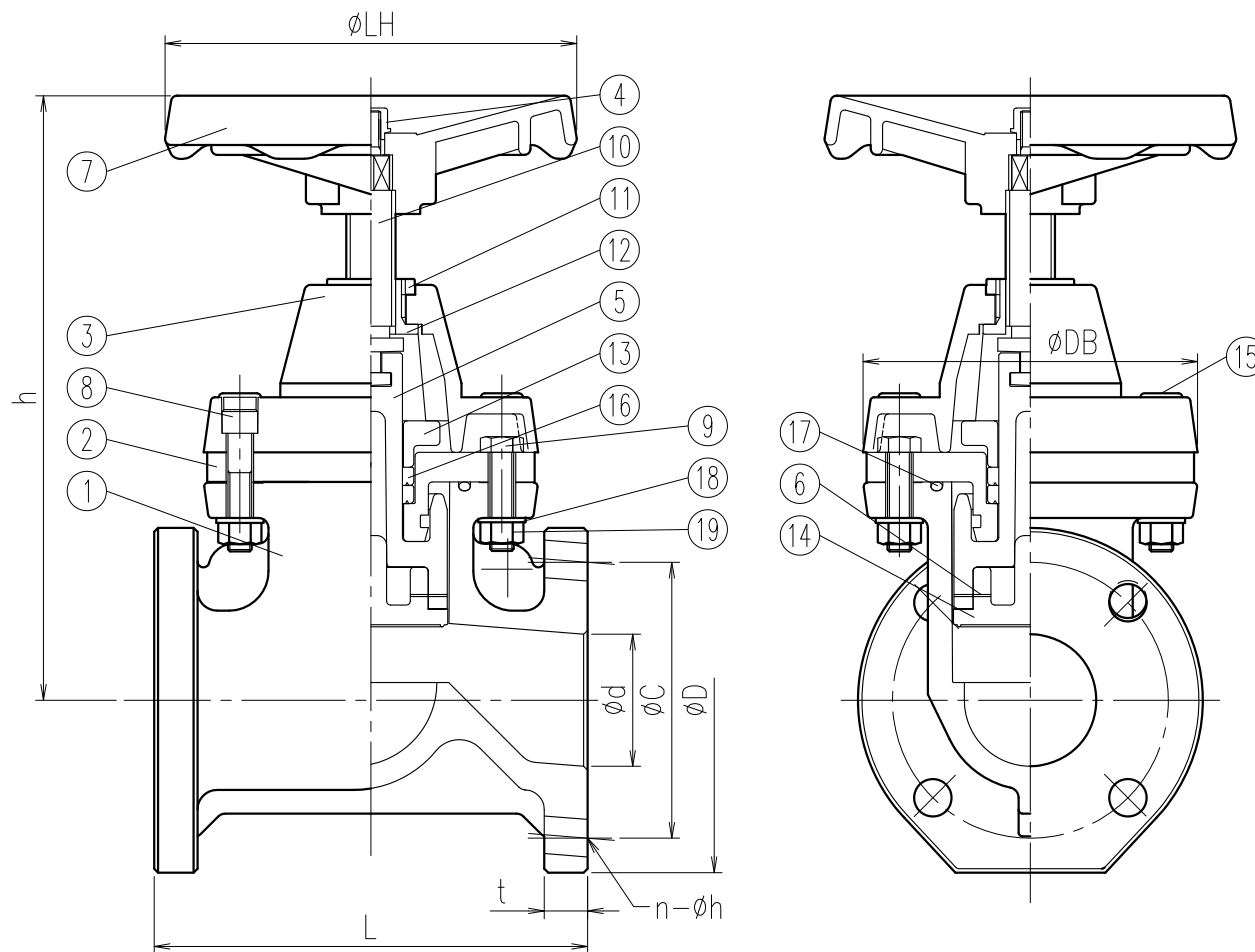
Dimension Table

Unit: mm

Size	A(B)	ød	L	Flange				h	LH	DB
				øD	øC	n-øh	t			
□ 15(1/2)	15	85±1.5	95	70	4-15	14	152	65	52	
□ 20(3/4)	20	95±1.5	100	75	4-15	14	165	65	62	
□ 25(1)	25	110±1.5	125	90	4-19	14	177	80	72	
□ 32(1·1/4)	32	135±1.5	140	100	4-19	16	205	80	83	
□ 40(1·1/2)	40	190±1.5	140	105	4-19	16	234	125	105	
□ 50(2)	50	200±1.5	155	120	4-19	20	249	125	115	

Note) 1. Flange dimension is in accordance with the following standard; JIS B2220.
2. "h" is full open dimension.

Client name		Date
Rinsed	<input type="checkbox"/> YES	Approved by:
ESLON Globe Valve Flange type 15-50A Drawing No. SV1550FXE-B		
SEKISUI SEKISUI CHEMICAL CO.,LTD.		



No.	Part Name	Q'ty	Material
1	Body	1	PVC
2	Bonnet	1	
3	Bonnet	1	
4	Handle nut	1	
5	Disc holder	1	ABS
6	Pin	-	
7	Handle	1	SUS304
8	Hexagon socket head cap screws	4	
9	Hexagon head bolt	4	
10	Stem	1	
11	Set nut	1	C3601
12	Sleeve	1	
13	Packing holder	1	PP
14	Disc	1	
15	Bolt cap	1	EPDM
16	Y-packings	2	
17	O-ring	1	SUS304
18	Washer	8	
19	Hexagon nut	8	

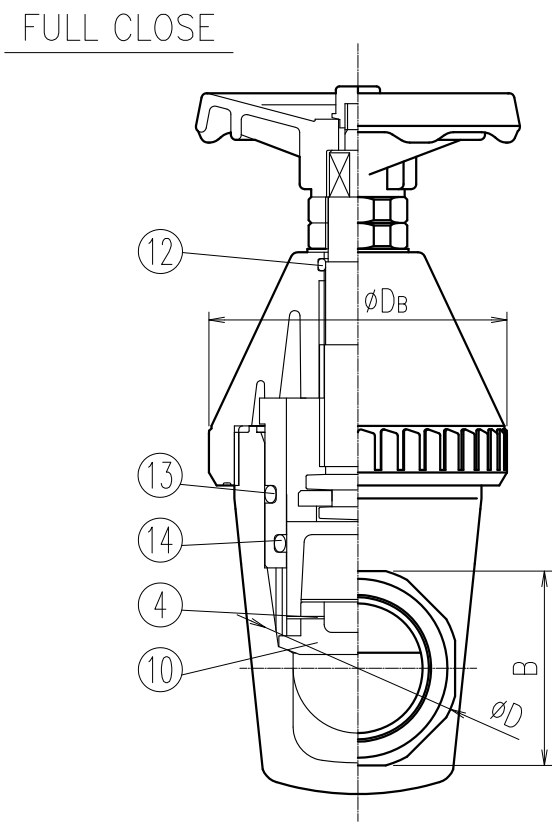
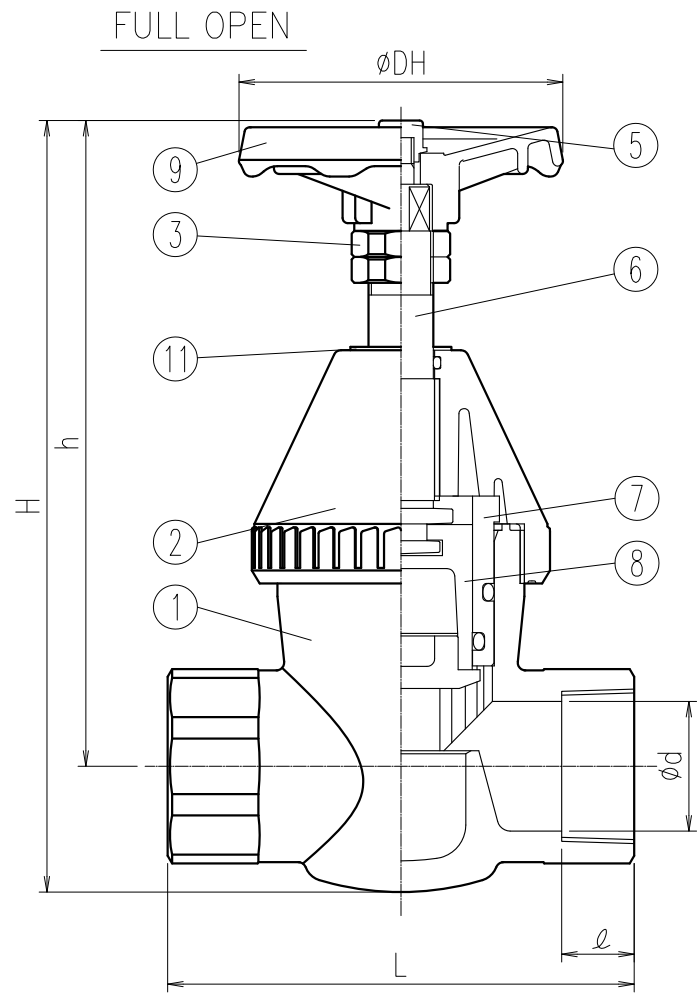
Dimension Table

Unit: mm

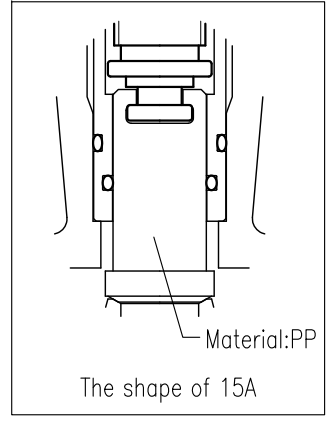
Size	A(B)	ød	L	Flange				h	LH	DB
				øD	øC	n-øh	t			
□ 65 (2 1/2)	65	220±1.5	175	100	4-19	16	303	150	170	
□ 80 (3)	80	240±1.5	185	105	4-19	16	350	210	189	
□ 100 (4)	100	290±1.5	210	120	4-19	20	395	210	231	

Note) 1. Flange dimension is in accordance with the following standard; JIS B2220.
2. "h" is full open dimension.

Client name		Date
Rinsed	<input type="checkbox"/> YES	Approved by:
ESLON Globe valve Flange 65-100A Drawing No. SV651HFXE		
SEKISUI SEKISUI CHEMICAL CO.,LTD.		



No.	Part Name	Q'TY	Material	
1	Body	1	PVC	
2	Bonnet	1		
3	Stopper nut	2		
4	Pin	-		
5	Handle nut	1		
6	Stem	1		
7	Bush	1		
8	Disc holder	1		
9	Handle	1		ABS
10	Disc	1		PP
11	Thrust washer (40. 50A)	1		NBR
12	O-ring	1		NBR
13	O-ring	1		EPDM
14	O-ring	1		FKM



Dimension Table

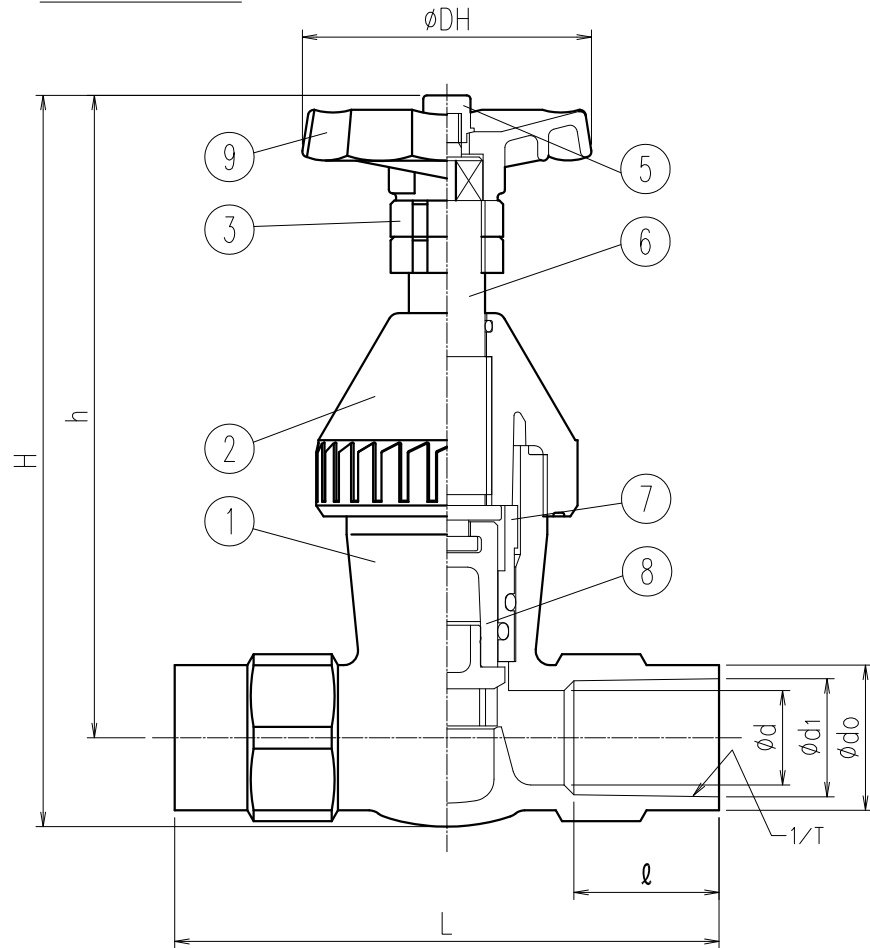
Size	A (B)	φd	L	Thread				H	h	DH	DB	Weight (Ref.) kg/unit
				Rc	ℓ	φD	B					
□ 15 (1/2)	16	85±1.5	Rc1/2	15	33	30	169	152	65	52	0.3	
□ 20 (3/4)	21	95±1.5	Rc3/4	17	39	36	186	165	65	62	0.4	
□ 25 (1)	26	110±1.5	Rc1	20	50	46	201	177	80	72	0.5	
□ 32 (1·1/4)	32	135±1.5	Rc1·1/4	22	58	55	234	205	80	83	0.8	
□ 40 (1·1/2)	41	140±1.5	Rc1·1/2	25	68	65	257	234	125	105	1.3	
□ 50 (2)	50	180±1.5	Rc2	28	78	75	298	249	125	115	1.8	

Note) Thread dimension is in accordance with the following standard;JIS B 0203

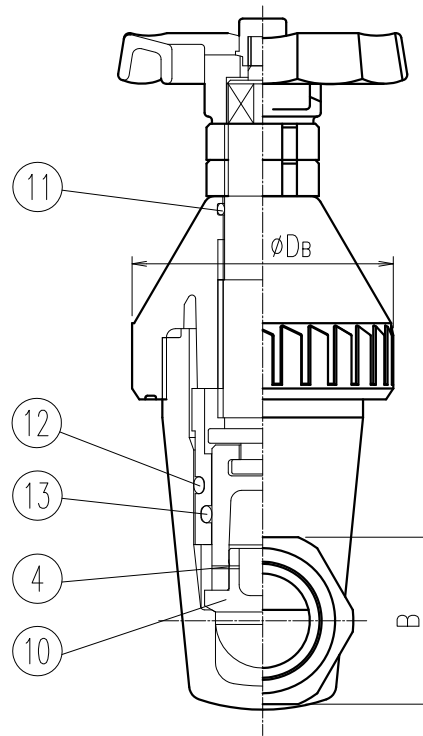
Unit:mm

Client name		Date
Rinsed	<input type="checkbox"/> YES	Approved by:
ESLON Globe Valve Threaded socket 15-50A Drawing No. SV1550NXE-B SEKISUI SEKISUI CHEMICAL CO.,LTD.		

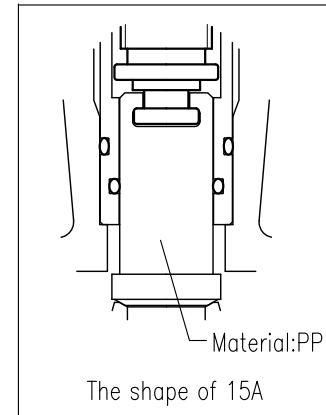
FULL OPEN



FULL CLOSE



No.	Part Name	Q'TY	Material
1	Body	1	PVC
2	Bonnet	1	
3	Stopper nut	2	
4	Pin	-	
5	Handle nut	1	
6	Stem	1	
7	Bush	1	
8	Disc holder	1	
9	Handle	1	ABS
10	Disc	1	PP
11	O-ring	1	NBR
12	O-ring	1	EPDM
13	O-ring	1	FKM



Dimension Table

Unit: mm

Size	A(B)	ϕd	L	TS socket					H	h	DH	DB	Weight kg/unit
				$\phi d1$	$1/T$	l	ϕdo	B					
□ 15(1/2)	16	110±1.5	22.40	1/34	30	29	30	169	152	65	52	0.3	
□ 20(3/4)	21	130±1.5	26.45	1/34	35	33	36	186	165	65	62	0.4	
□ 25(1)	26	150±1.5	32.55	1/34	40	40	46	201	177	80	72	0.5	

Note) 1. "h" is full open dimension.

Client name		Date
Rinsed	<input type="checkbox"/> YES	Approved by:
ESLON		
Globe Valve TS socket 15-25A		
Drawing No. SV1525SXE-B		
SEKISUI SEKISUI CHEMICAL CO.,LTD.		