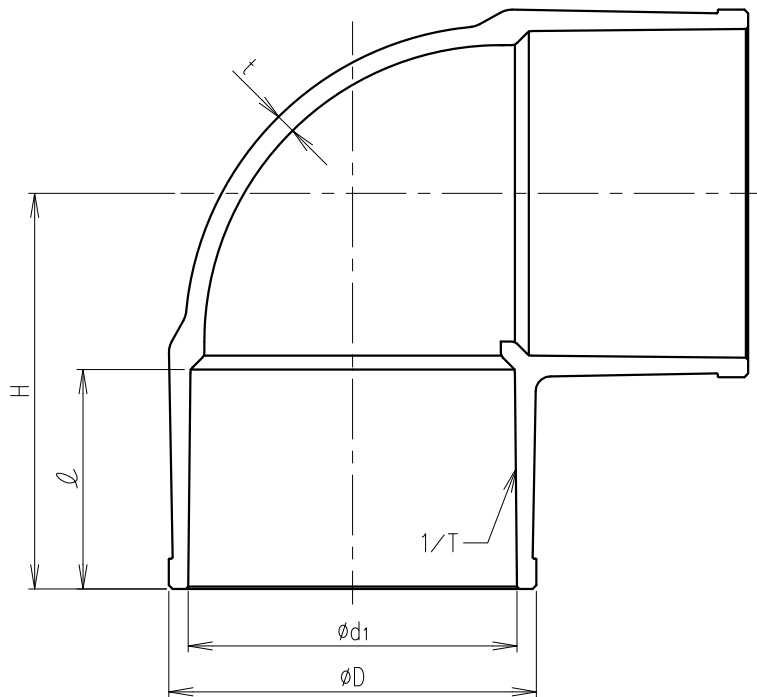


ESLON Fitting  
90° Elbow 200-300A



Dimension Table

Unit:mm

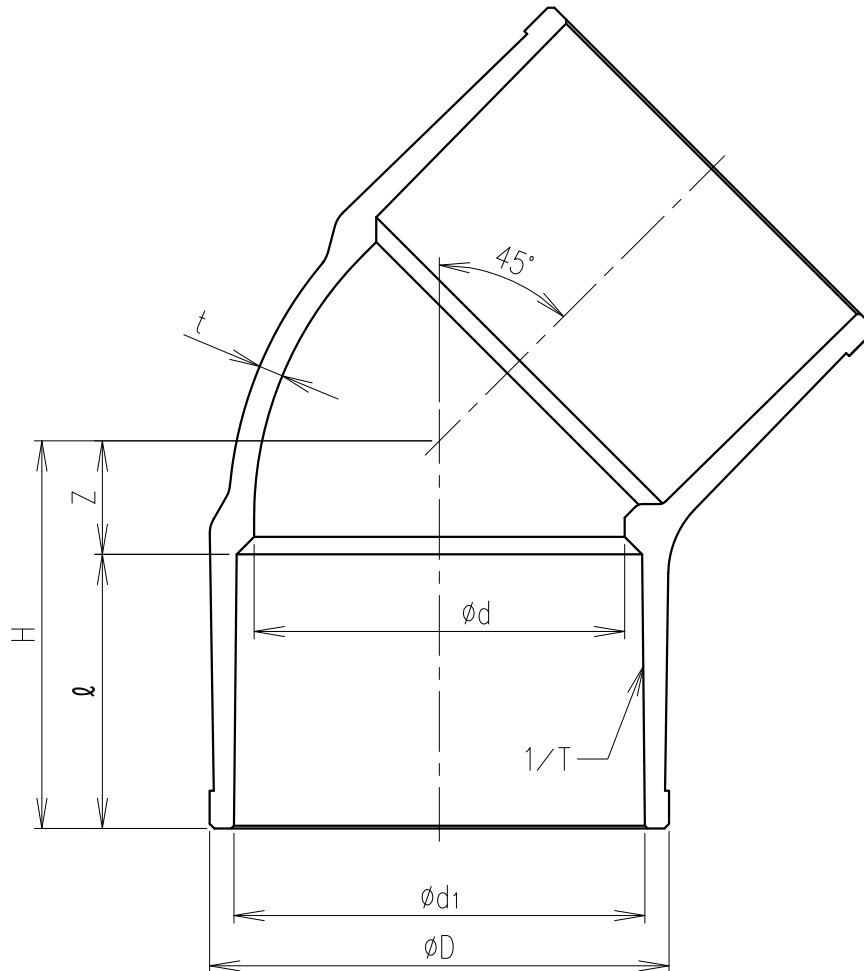
Size	A	øD	H	ød1	1/T	l	t (Min.)	Nominal pressure (MPa)
□	200	243	262	217.4±0.7	1/50	145	13.0	0.75
□	250	300	318	268.6±0.7	1/50	175	14.5	0.75
□	300	356	355	319.8±0.8	1/50	185	16.0	0.60

Material

- Esloclean
- HI-PVC
- U-PVC

ESLON Fitting 90° Elbow 200-300A		DWG No.
		FLN200TVE
<b>SEKISUI</b> SEKISUI CHEMICAL CO.,LTD.	Date	Approved by:
	2010.10.27	

45° Elbow  
200~300A



Dimension Table

Unit:mm

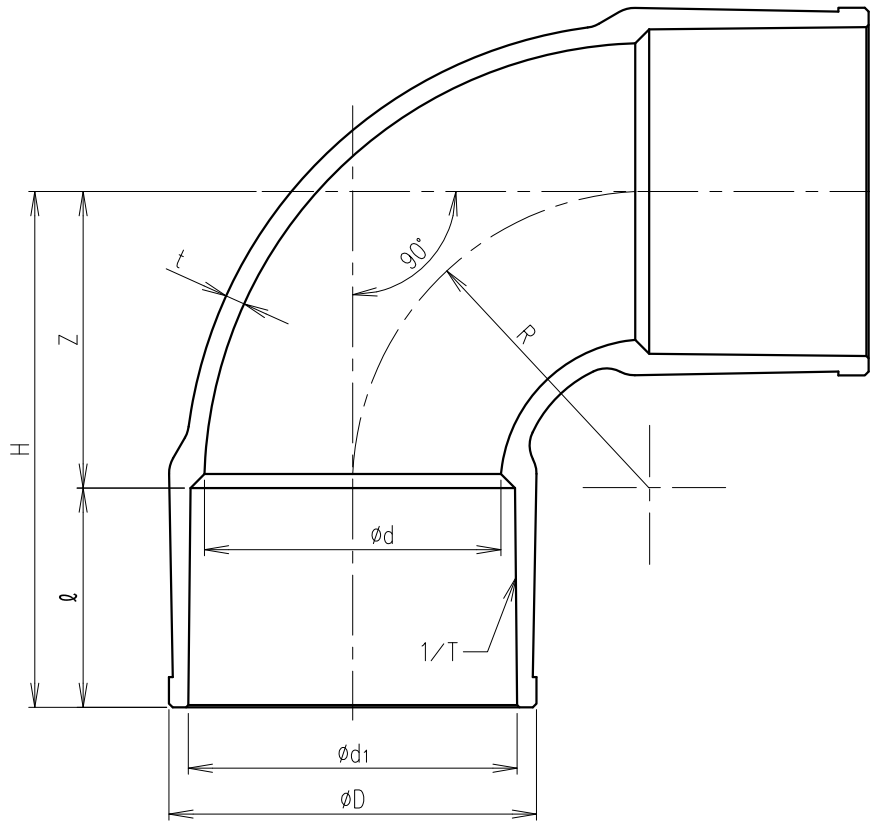
Size	A(B)	øD	H	Z	ød	ød1	1/T	ℓ	t (Min.)	Nominal pressure (MPa)
□	200(8)	243	205	60	196	217.4±0.7	1/50	145	13.0	0.75
□	250(10)	300	254	79	242	268.6±0.7	1/50	175	14.5	0.75
□	300(12)	356	280	95	288	319.8±0.8	1/50	185	16.0	0.60

Material

- Esloclean
- HI-PVC
- U-PVC

45° Elbow 200~300A	DWG No.	
	HL200TTVE	
<b>SEKISUI</b> SEKISUI CHEMICAL CO.,LTD.	Date	Approved by:
	2010.10.27	

90° Bend  
200~300A



Dimension Table

Unit:mm

Size	A(B)	øD	H	Z	ød	ød1	1/T	l	R	t (Min.)	Nominal pressure (MPa)
□	200(8)	243	341	196	196	217.4±0.7	1/50	145	196	13.0	0.75
□	250(10)	300	428	253	242	268.6±0.7	1/50	175	242	14.5	0.75
□	300(12)	356	441	256	288	319.8±0.8	1/50	185	242	16.0	0.60

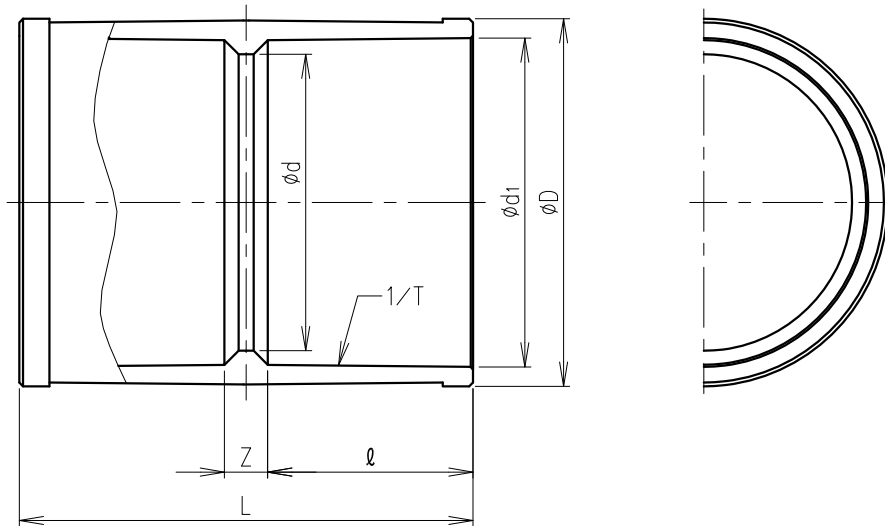
Material

- Esloclean
- HI-PVC
- U-PVC

90° Bend 200~300A		DWG No.
		LL200TVE
<b>SEKISUI</b> SEKISUI CHEMICAL CO.,LTD.	Date	Approved by:
	2009.09.08	

2-2011.12.05

Coupling  
200~300A



Dimension Table

Unit:mm

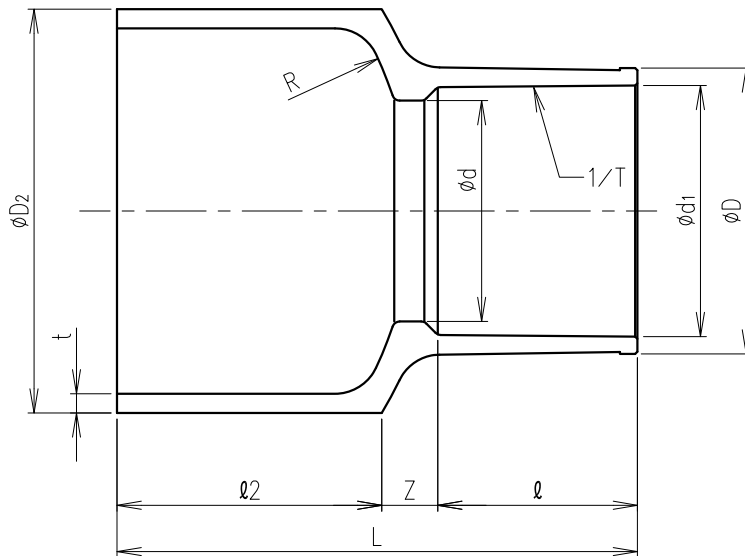
	Size		$\phi D$	$\phi d$	$\phi d1$	1/T	l	Z	L	Nominal pressure (MPa)
	A	B								
<input type="checkbox"/>	200	8	243	196	$217.4 \pm 0.7$	1/50	145	10	300	0.75
<input type="checkbox"/>	250	10	300	242	$268.6 \pm 0.7$	1/50	175	34	384	0.75
<input type="checkbox"/>	300	12	356	288	$319.8 \pm 0.8$	1/50	185	38	408	0.6

Material

- Esloclean
- HI-PVC
- U-PVC

Coupling 200~300A		DWG No.
		FS200TTVE
<b>SEKISUI</b> SEKISUI CHEMICAL CO.,LTD.	Date	Approved by:
	2000.03.28	

Eslon Fittings  
Bush



Dimension Table

Unit: mm

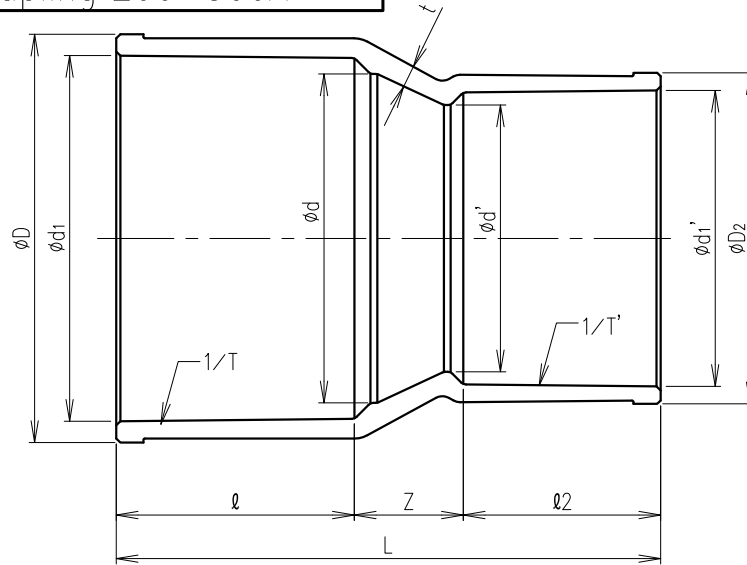
Size	A	$\phi D$	$\phi d$	$\phi d1$	1/T	$\phi D2$	R	L	Z	$\phi$	$\phi 2$	t
<input type="checkbox"/> 250x150	189	146	166.0±0.4	1/63	267.0±0.9	242	344	37	132	175	12.7	
<input type="checkbox"/> 300x200	243	196	217.4±0.7	1/50	318.0±1.0	288	374	44	145	185	15.1	

Material

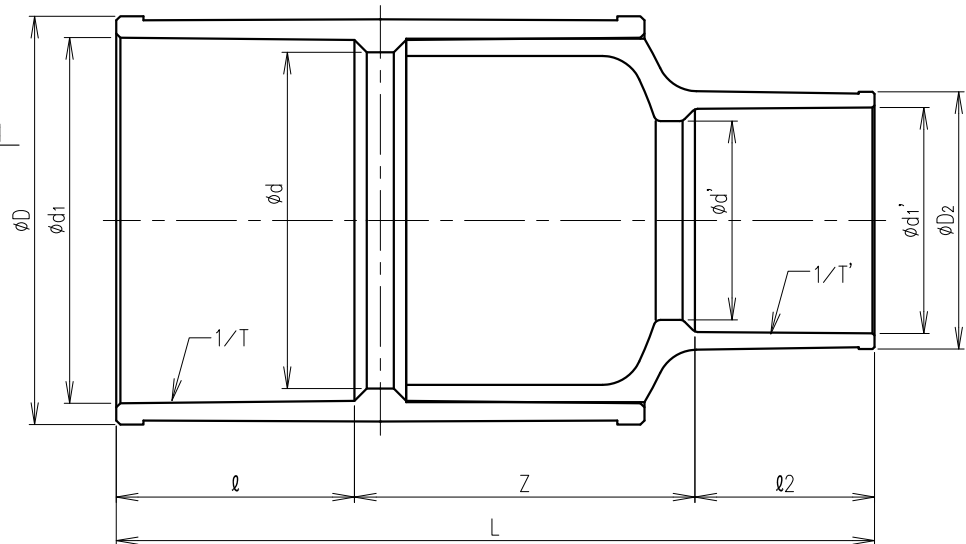
- Esloclean
- HI-PVC
- U-PVC

Eslon Fittings Bush		DWG No.
		RB200TVE
<b>SEKISUI</b> SEKISUI CHEMICAL CO.,LTD.	Date	Approved by:
	2012.07.05	

Eslon fittings  
Reducing Coupling 200~300A



With Bushing



Dimension Table

Unit: mm

	Size		øD	ød	ød1	1/T	ø	øD2	ød'	ød'1	1/T'	ø2	Z	L	t (Min.)	Nominal pressure (MPa)
	A	B														
<input type="checkbox"/>	200x150	8x6	243	196	217.4±0.7	1/50	145	189	146	166.0±0.4	1/63	132	91	368	13.0	0.75
<input type="checkbox"/>	250x150*	10x6	300	242	268.6±0.7	1/50	175	189	146	166.0±0.4	1/63	132	250	557	—	0.75
<input type="checkbox"/>	250x200	10x8	300	242	268.6±0.7	1/50	175	243	196	217.4±0.7	1/50	145	80	400	14.5	0.75
<input type="checkbox"/>	300x150*	12x6	356	288	319.8±0.8	1/50	185	189	146	166.0±0.4	1/63	132	288	605	—	0.6
<input type="checkbox"/>	300x200*	12x8	356	288	319.8±0.8	1/50	185	243	196	217.4±0.7	1/50	145	271	601	—	0.6
<input type="checkbox"/>	300x250	12x10	356	288	319.8±0.8	1/50	185	300	242	268.6±0.7	1/50	175	75	435	16.0	0.6

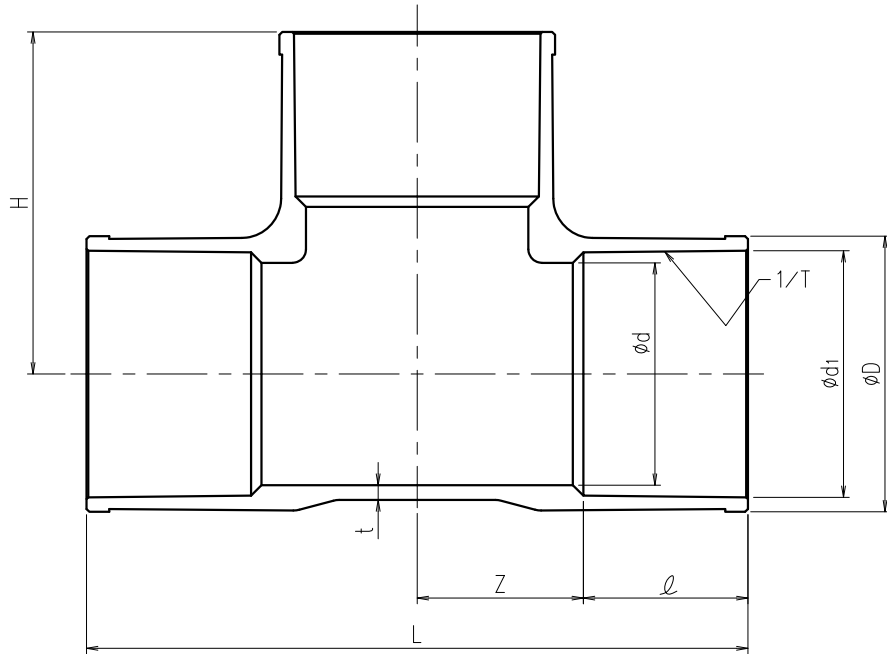
Remarks) \*With Bushing

Material

- Esloclean
- HI-PVC
- U-PVC

Eslon fittings Reducing Coupling 200~300A		DWG No.
		RS200TVE
<b>SEKISUI</b> SEKISUI CHEMICAL CO.,LTD.	Date	Approved by:
	2009.12.01	

Tee  
200-300A



Dimension Table

Unit:mm

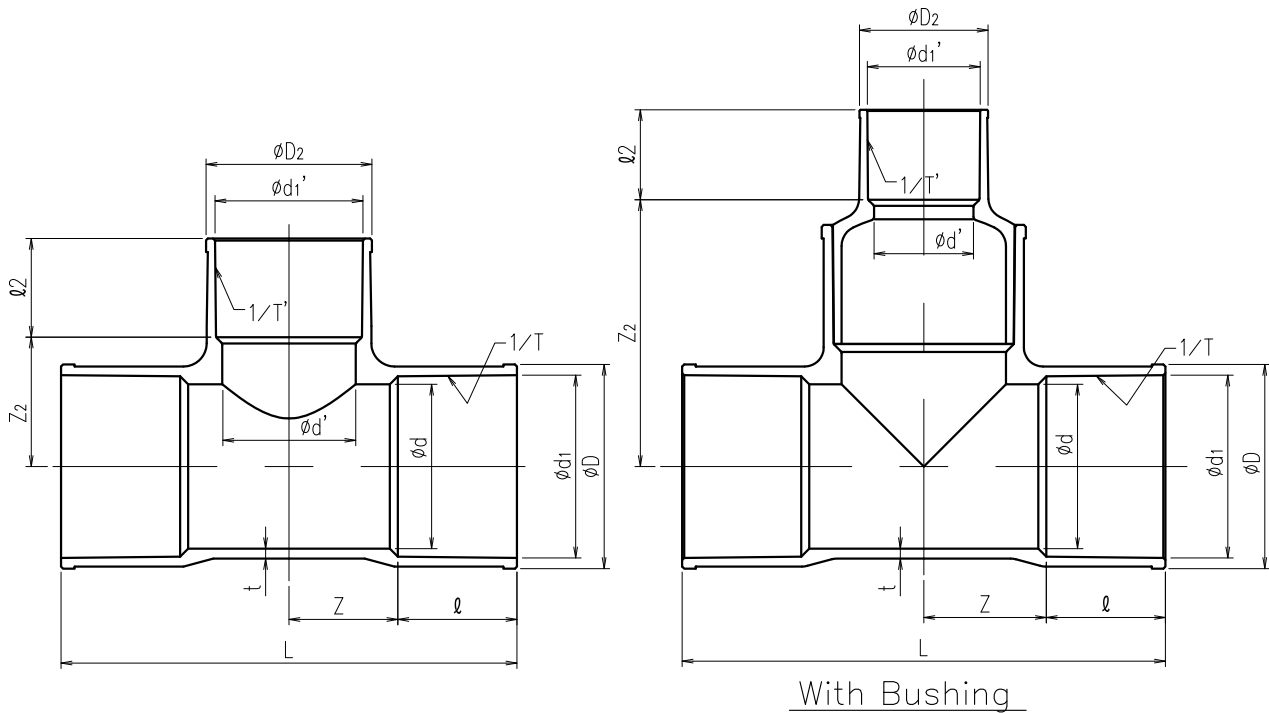
	Size		øD	ød	ød1	1/T	l	H	Z	L	t (Min.)	Nominal pressure (MPa)
	A	B										
<input type="checkbox"/>	200	8	243	196	217.4±0.7	1/50	145	267	122	534	13.0	0.75
<input type="checkbox"/>	250	10	300	242	268.6±0.7	1/50	175	355	180	710	14.5	0.75
<input type="checkbox"/>	300	12	356	285	319.8±0.8	1/50	185	410	225	820	16.0	0.6

Material

- Esloclean
- HI-PVC
- U-PVC

Tee 200-300A		DWG No.
		FT200TVE
<b>SEKISUI</b> SEKISUI CHEMICAL CO.,LTD.	Date	Approved by:
	2010.10.27	

# Eslon Fittings Reducing Tee 200~300A



Dimension Table

Unit:mm

	Size		$\phi D$	$\phi d$	$\phi d_1$	1/T	$\ell$	Z	$\phi D_2$	$\phi d'$	$\phi d_1'$	1/T'	$\phi 2$	Z <sub>2</sub>	L	t (Min.)	Nominal pressure (MPa)
	A	B															
<input type="checkbox"/>	200x75	8x3	243	196	217.4±0.7	1/50	145	56	106	77	89.6±0.3	1/49	64	116	402	13.0	0.75
<input type="checkbox"/>	200x100	8x4	243	196	217.4±0.7	1/50	145	73	134	102	114.7±0.3	1/56	84	116	436	13.0	0.75
<input type="checkbox"/>	200x150	8x6	243	196	217.4±0.7	1/50	145	100	189	146	166.0±0.4	1/63	132	125	490	13.0	0.75
<input type="checkbox"/>	250x75	10x3	300	242	268.6±0.7	1/50	175	71	106	77	89.6±0.3	1/49	64	146	492	14.5	0.75
<input type="checkbox"/>	250x100	10x4	300	242	268.6±0.7	1/50	175	92	134	102	114.7±0.3	1/56	84	141	534	14.5	0.75
<input type="checkbox"/>	250x150*	10x6	300	242	268.6±0.7	1/50	175	180	189	146	166.0±0.4	1/63	132	392	710	14.5	0.75
<input type="checkbox"/>	250x200	10x8	300	242	268.6±0.7	1/50	175	160	243	196	217.4±0.7	1/50	145	190	670	14.5	0.75
<input type="checkbox"/>	300x75	12x3	356	288	319.8±0.8	1/50	185	75	106	77	89.6±0.3	1/49	64	172	520	16.0	0.6
<input type="checkbox"/>	300x100	12x4	356	288	319.8±0.8	1/50	185	81	134	102	114.7±0.3	1/56	84	173	532	16.0	0.6
<input type="checkbox"/>	300x150*	12x6	356	288	319.8±0.8	1/50	185	190	189	146	166.0±0.4	1/63	132	429	750	16.0	0.6
<input type="checkbox"/>	300x200*	12x8	356	288	319.8±0.8	1/50	185	225	243	196	217.4±0.7	1/50	145	454	820	16.0	0.6
<input type="checkbox"/>	300x250	12x10	356	288	319.8±0.8	1/50	185	190	300	242	268.6±0.7	1/50	175	217	750	16.0	0.6

Remarks) \*With Bushing

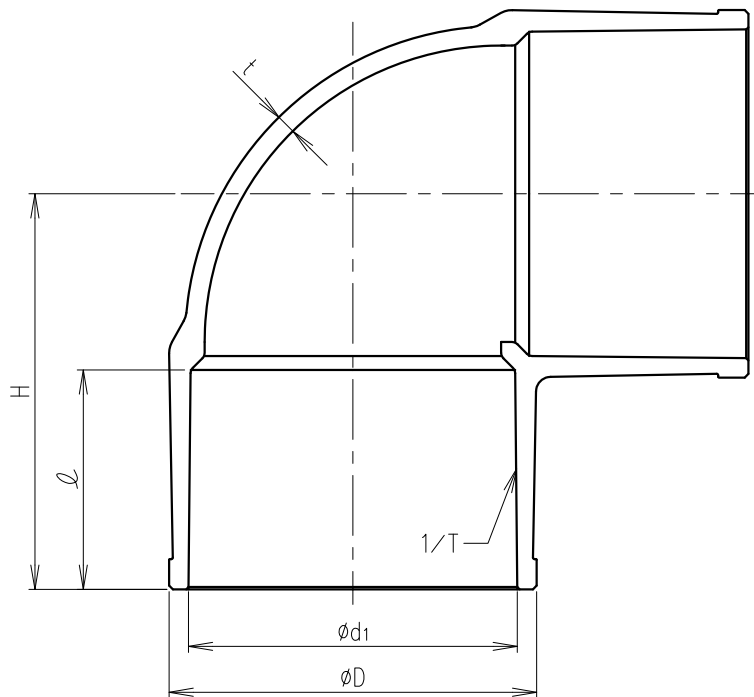
### Material

- Esloclean
- HI-PVC
- U-PVC

Eslon Fittings Reducing Tee 200~300A		DWG No. RT200TTE
<b>SEKISUI</b> SEKISUI CHEMICAL CO.,LTD.	Date	Approved by:
	2009.06.30	



Eslon HT Fittings  
ELBOW



Dimension Table

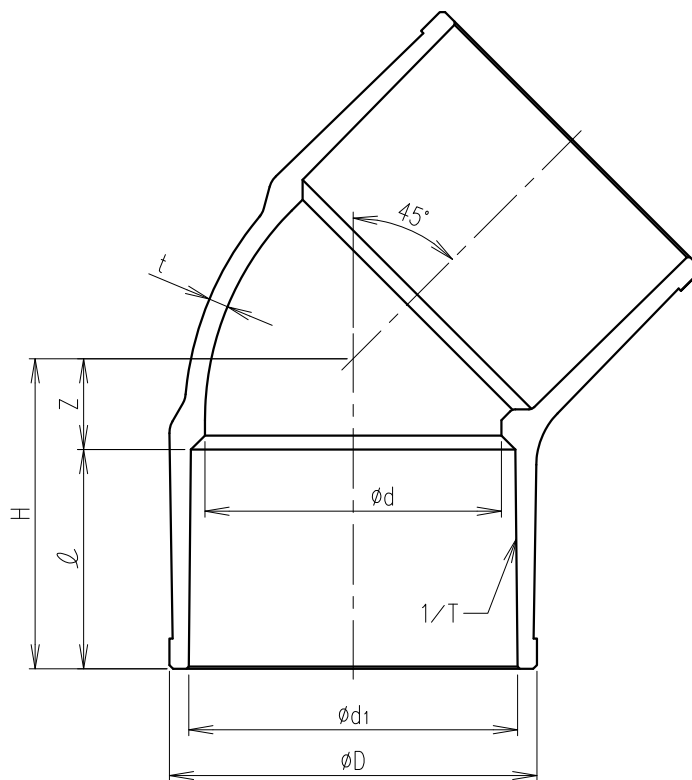
Unit: mm

Size	A	$\phi D$	H	$\phi d1$	1/T	l	t (Min.)
□	200	243	261.5	217.4±0.7	1/50	145	13.0
□	250	300	317.8	268.6±0.7	1/50	175	14.5
□	300	356	355.0	319.8±0.8	1/50	185	16.0

Remarks) Maximum Working Pressure :0.6MPa  
FRP reinforced type :1.0MPa

Eslon HT Fittings ELBOW		DWG No.
		FLN200TTT (E)
SEKISUI CHEMICAL CO.,LTD.	Date	Approved by:
	2012.07.05	

Eslon HT Fittings  
45ELBOW



Dimension Table

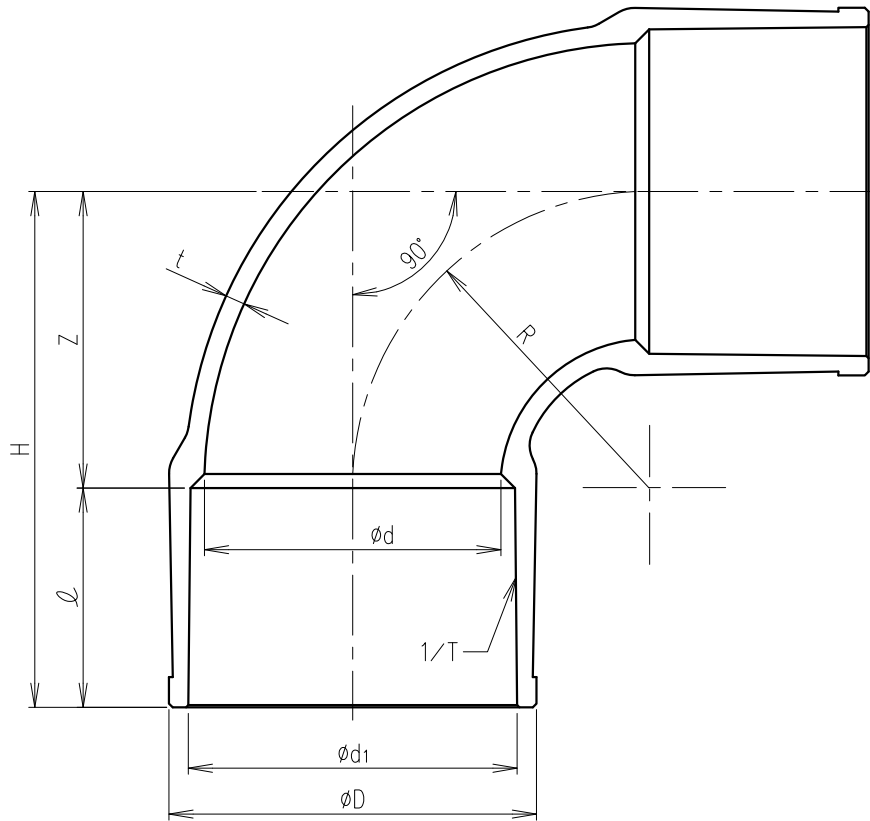
Unit: mm

SIZE	A	øD	H	Z	ød	ød1	1/T	l	t (Min.)
□	200	243	205	60	196	216.9 ± 0.8	1/50	145	13.0
□	250	300	254	79	242	268.1 ± 0.9	1/50	175	14.5
□	300	356	280	95	288	319.4 ± 1.2	1/50	185	16.0

Remarks) Maximum Working Pressure :0.6MPa  
FRP reinforced type :1.0MPa

Eslon HT Fittings 45ELBOW	Date	DWG No.
	2012.07.05	HL200TTT (E)
SEKISUI CHEMICAL CO.,LTD.		Approved by:

Eslon HT Fittings  
90BEND

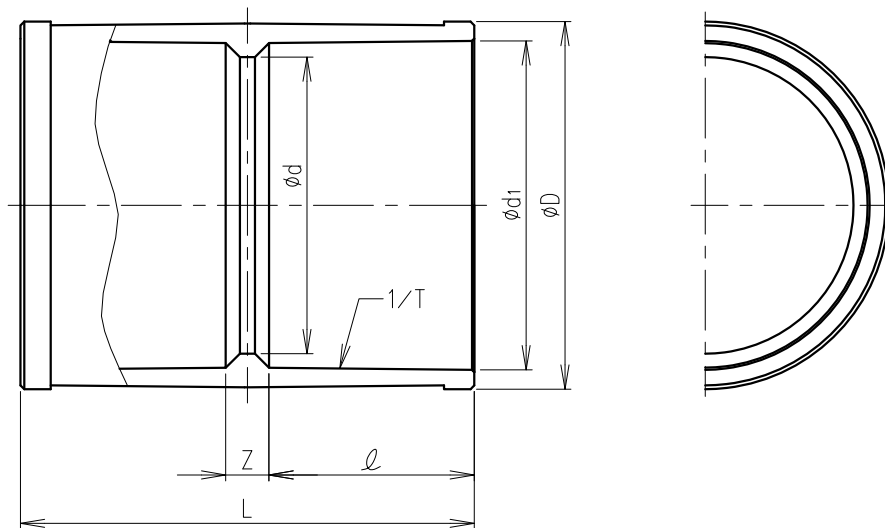


SIZE	A	øD	H	Z	ød	ød1	1/T	ℓ	R	t (Min.)
□	200	243	341	196	196	216.9 ± 0.8	1/50	145	196	13.0
□	250	300	428	253	242	268.1 ± 0.9	1/50	175	242	14.5
□	300	356	441	256	288	319.4 ± 1.2	1/50	185	242	16.0

Remarks) Maximum Working Pressure :Non-pressure application  
FRP reinforced type :0.6MPa/1.0MPa

Eslon HT Fittings 90BEND		DWG No.
		LL200TTT (E)
SEKISUI CHEMICAL CO.,LTD.	Date	Approved by:
	2011.12.12	

Eslon HT Fittings  
SOCKET



Dimension Table

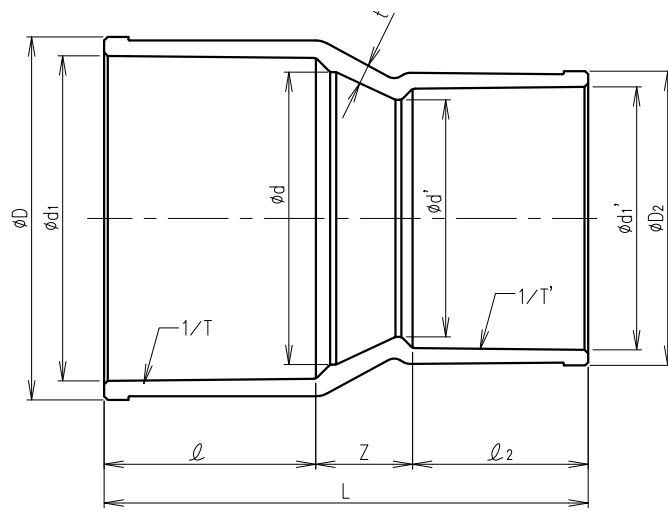
Unit: mm

SIZE	A	$\phi D$	Z	$\phi d$	$\phi d_1$	1/T	l	L
□	200	243	10	196	$216.9 \pm 0.8$	1/50	145	300
□	250	300	34	242	$268.1 \pm 0.9$	1/50	175	384
□	300	356	38	288	$319.4 \pm 1.2$	1/50	185	408

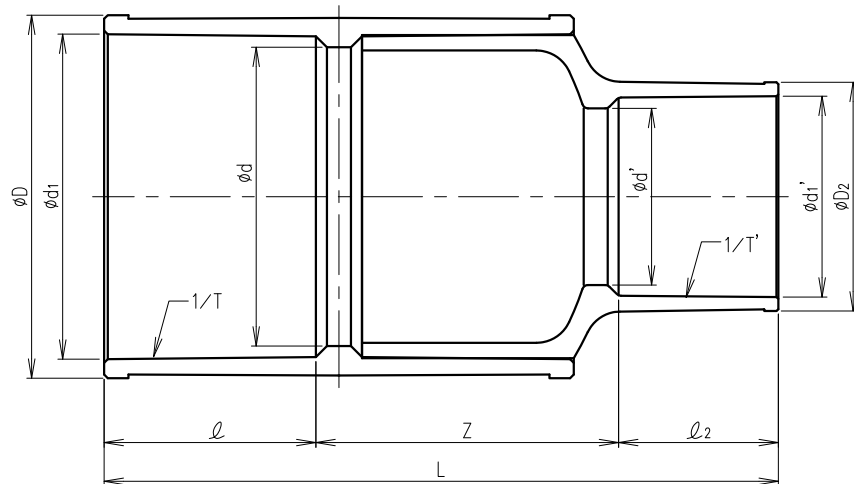
Remarks) Maximum Working Pressure :0.6MPa  
FRP reinforced type :1.0MPa

Eslon HT Fittings SOCKET		DWG No.
		FS200TTT (E)
SEKISUI CHEMICAL CO.,LTD.	Date	Approved by:
	2012.07.05	

Eslon HT Fittings  
REDUCING SOCKET



Bush Type



Dimension Table

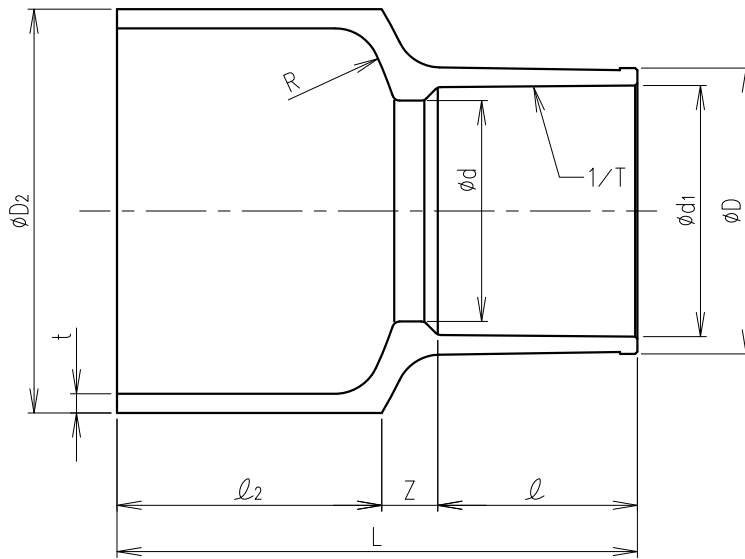
Unit: mm

SIZE	$\phi D$	$\phi d$	$\phi d_1$	1/T	$l$	$\phi D_2$	$\phi d'$	$\phi d_1'$	1/T'	$l_2$	Z	L	t (Min.)
200x150	243	196	$216.9 \pm 0.8$	1/50	145	189	146	$166.0 \pm 0.4$	1/63	132	91	368	13.0
250x150*	300	242	$268.1 \pm 0.9$	1/50	175	189	146	$166.0 \pm 0.4$	1/63	132	250	557	—
250x200	300	242	$268.1 \pm 0.9$	1/50	175	243	196	$216.9 \pm 0.8$	1/50	145	80	400	14.5
300x150*	356	288	$319.4 \pm 1.2$	1/50	185	189	146	$166.0 \pm 0.4$	1/63	132	288	605	—
300x200*	356	288	$319.4 \pm 1.2$	1/50	185	243	196	$216.9 \pm 0.8$	1/50	145	271	601	—
300x250	356	288	$319.4 \pm 1.2$	1/50	185	300	242	$268.1 \pm 0.9$	1/50	175	75	435	16.0

- Remarks) 1. Maximum Working Pressure :Non-pressure application  
FRP reinforced type :0.6MPa/1.0MPa  
2. \*Bush Type

Eslon HT Fittings REDUCING SOCKET	DWG No.
	RS200TTT (E)
SEKISUI CHEMICAL CO.,LTD.	Date
	2011.12.12
Approved by:	

Eslon HT Fittings  
BUSH



Dimension Table

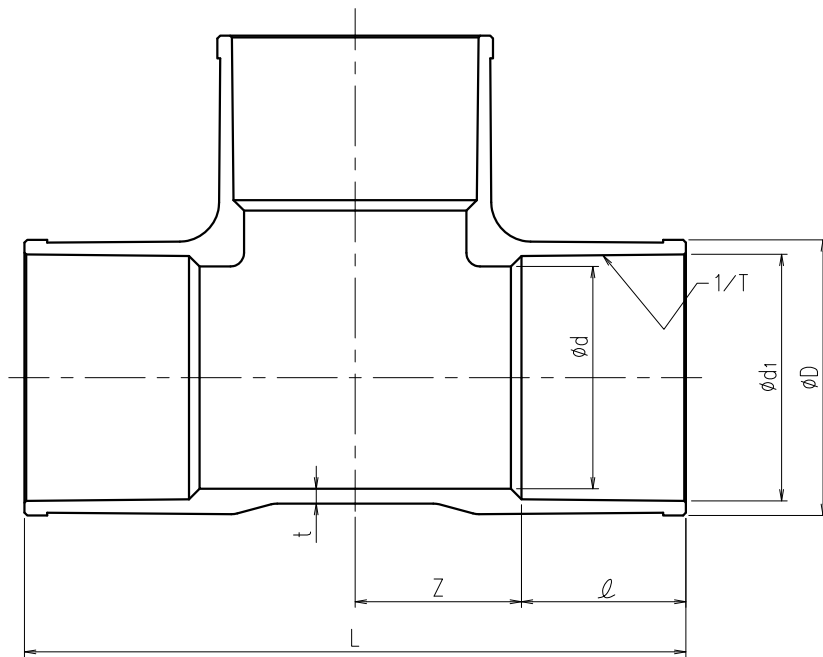
Unit: mm

SIZE	A	$\phi D$	$\phi d$	$\phi d_1$	1/T	$\phi D_2$	R	L	Z	$l$	$l_2$	t
□ 250x150	189	146	166.0±0.4	1/63	267.0±0.9	242	344	37	132	175	12.7	
□ 300x200	243	196	216.9±0.8	1/50	318.0±1.0	288	374	44	145	185	15.1	

Remarks) Maximum Working Pressure :Non-pressure application  
FRP reinforced type :0.6MPa/ 1.0MPa

Eslon HT Fittings BUSH	Date	DWG No.
	2012.07.05	RB200TTT (E)
SEKISUI CHEMICAL CO.,LTD.		Approved by:

Eslon HT Fittings  
TEE



Dimension Table

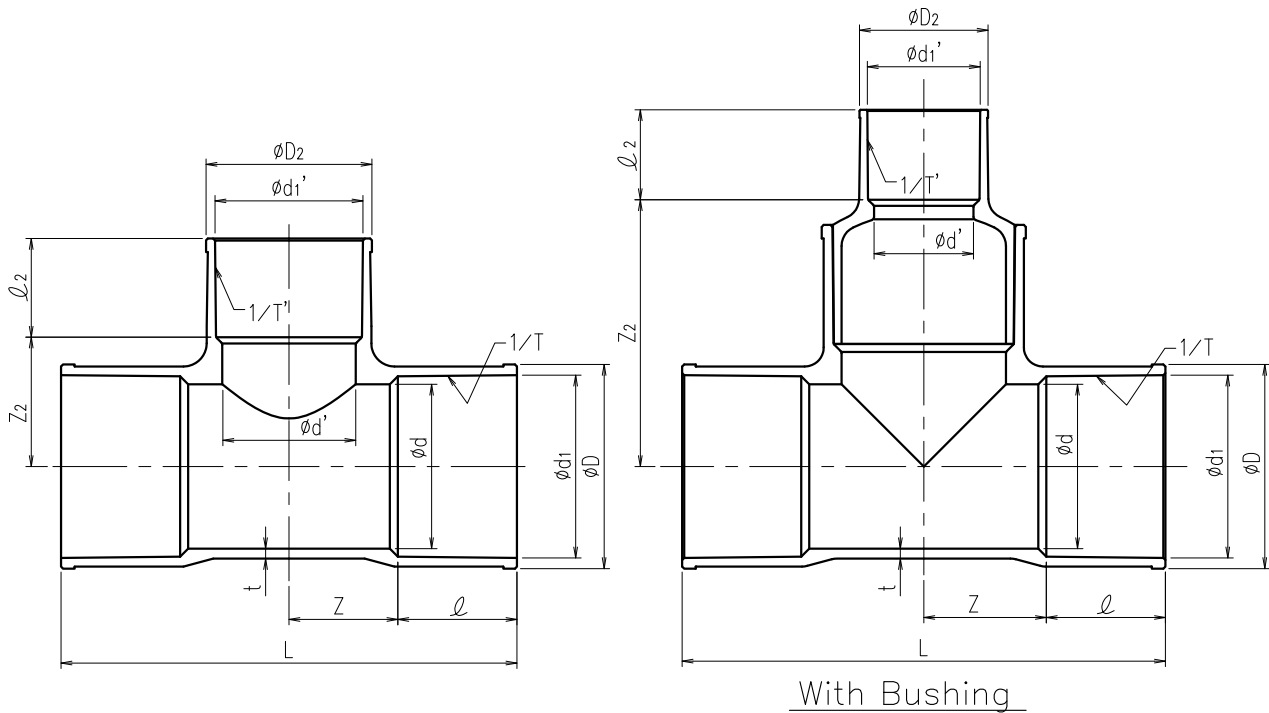
Unit: mm

Size	A	$\phi D$	Z	L	$\phi d$	$\phi d1$	1/T	$l$	t (Min.)
□	200	243	122	534	196	216.9±0.8	1/50	145	13.0
□	250	300	180	710	242	268.1±0.9	1/50	175	14.5
□	300	356	225	820	288	319.4±1.2	1/50	185	16.0

Remarks) Maximum Working Pressure :0.6MPa  
FRP reinforced type :1.0MPa

Eslon HT Fittings TEE		DWG No.
		FT200TTT (E)
SEKISUI CHEMICAL CO.,LTD.	Date	Approved by:
	2011.12.12	

Item Eslon HT Fittings  
Reducing Tee 200~300A



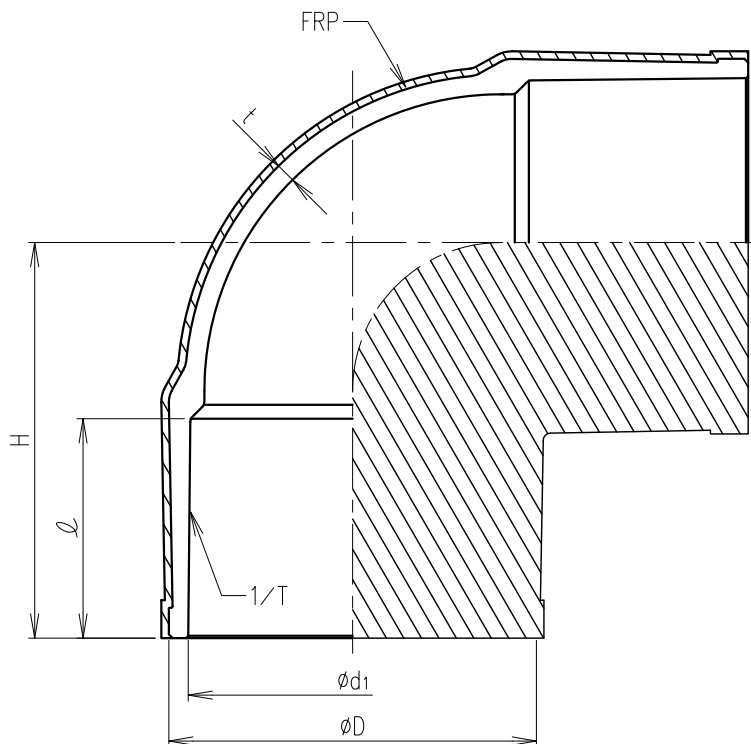
	Size	$\phi D$	$\phi d$	$\phi d_1$	1/T	$\ell$	Z	$\phi D_2$	$\phi d'$	$\phi d_1'$	1/T	$\ell_2$	Z <sub>2</sub>	L	t (Min.)	Nominal pressure (MPa)
□	200x75	243	196	216.9±0.8	1/50	145	56	106	77	89.6±0.3	1/49	64	116	402	13.0	0.6
□	200x100	243	196	216.9±0.8	1/50	145	73	134	102	114.7±0.3	1/56	84	116	436	13.0	0.6
□	200x150	243	196	216.9±0.8	1/50	145	100	189	146	166.0±0.4	1/63	132	125	490	13.0	0.6
□	250x75	300	242	268.1±0.9	1/50	175	71	106	77	89.6±0.3	1/49	64	146	492	14.5	0.6
□	250x100	300	242	268.1±0.9	1/50	175	92	134	102	114.7±0.3	1/56	84	141	534	14.5	0.6
□	250x150*	300	242	268.1±0.9	1/50	175	180	189	146	166.0±0.4	1/63	132	392	710	14.5	0.6
□	250x200	300	242	268.1±0.9	1/50	175	160	243	196	217.4±0.7	1/50	145	190	670	14.5	0.6
□	300x75	356	288	319.4±1.2	1/50	185	75	106	77	89.6±0.3	1/49	64	172	520	16.0	0.6
□	300x100	356	288	319.4±1.2	1/50	185	81	134	102	114.7±0.3	1/56	84	173	532	16.0	0.6
□	300x150*	356	288	319.4±1.2	1/50	185	190	189	146	166.0±0.4	1/63	132	429	750	16.0	0.6
□	300x200*	356	288	319.4±1.2	1/50	185	225	243	196	217.4±0.7	1/50	145	454	820	16.0	0.6
□	300x250	356	288	319.4±1.2	1/50	185	190	300	242	268.6±0.7	1/50	175	217	750	16.0	0.6

Remarks) \*With Bushing

Item	Eslon HT Fittings Reducing Tee 200~300A	DWG No.
		RT200TTT (E)
SEKISUI CHEMICAL CO.,LTD.	Date	Approved by:
	2012.07.05	



Eslon Fittings  
ELBOW (Fiber Reinforced Type)



Dimension Table

Unit: mm

Size	A	$\phi D$	H	$\phi d_1$	1/T	l	t (Min.)
□	200	243	262	217.4±0.7	1/50	145	13.0
□	250	300	318	268.6±0.7	1/50	175	14.5
□	300	356	355	319.8±0.8	1/50	185	16.0

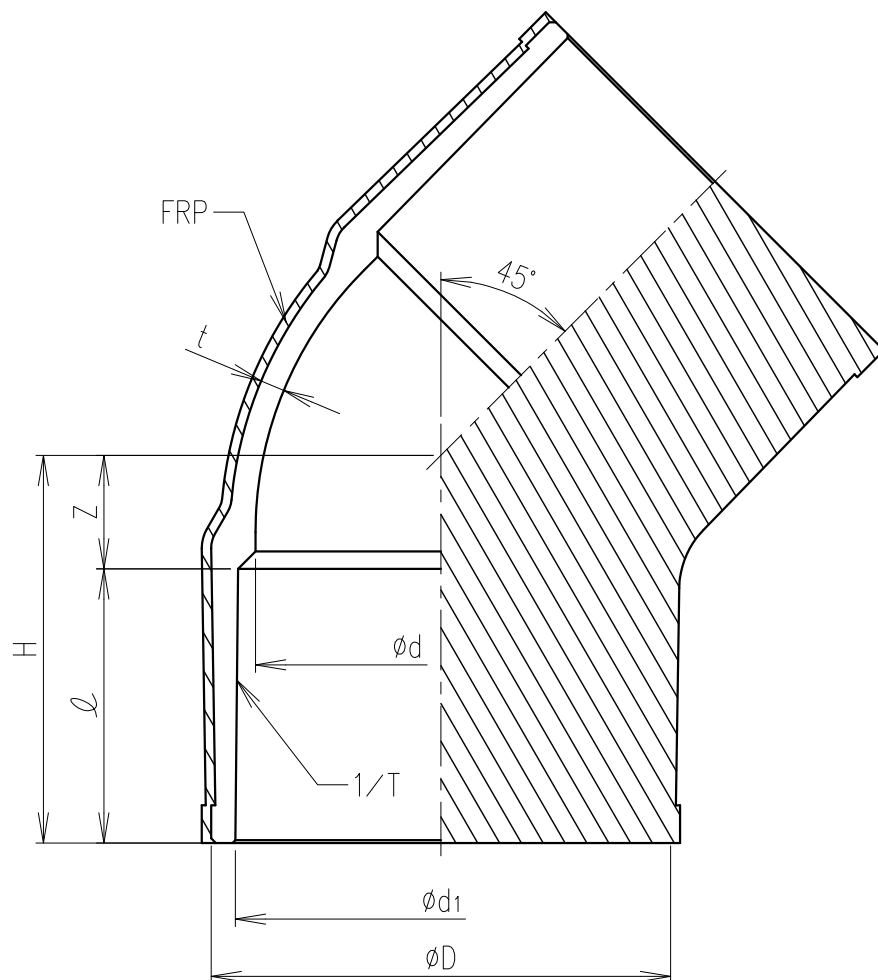
Remarks) Maximum Working Pressure : 1.0MPa

Material

- EsloClean
- HI-PVC
- U-PVC

Eslon Fittings ELBOW (Fiber Reinforced Type)	Date	DWG No.
	2014.03.26	FFLN200TTV(E)
SEKISUI CHEMICAL CO.,LTD.	Approved by:	

Eslon Fittings  
45°Elbow (Fiber Reinforced Type)



Dimension Table

Unit: mm

SIZE	A	øD	H	Z	ød	ød1	1/T	ø	t (Min.)
□	200	243	205	60	196	217.40±0.70	1/50	145	13.0
□	250	300	254	79	242	268.60±0.70	1/50	175	14.5
□	300	356	280	95	288	319.80±0.80	1/50	185	16.0

Remarks) Maximum Working Pressure : 1.0MPa

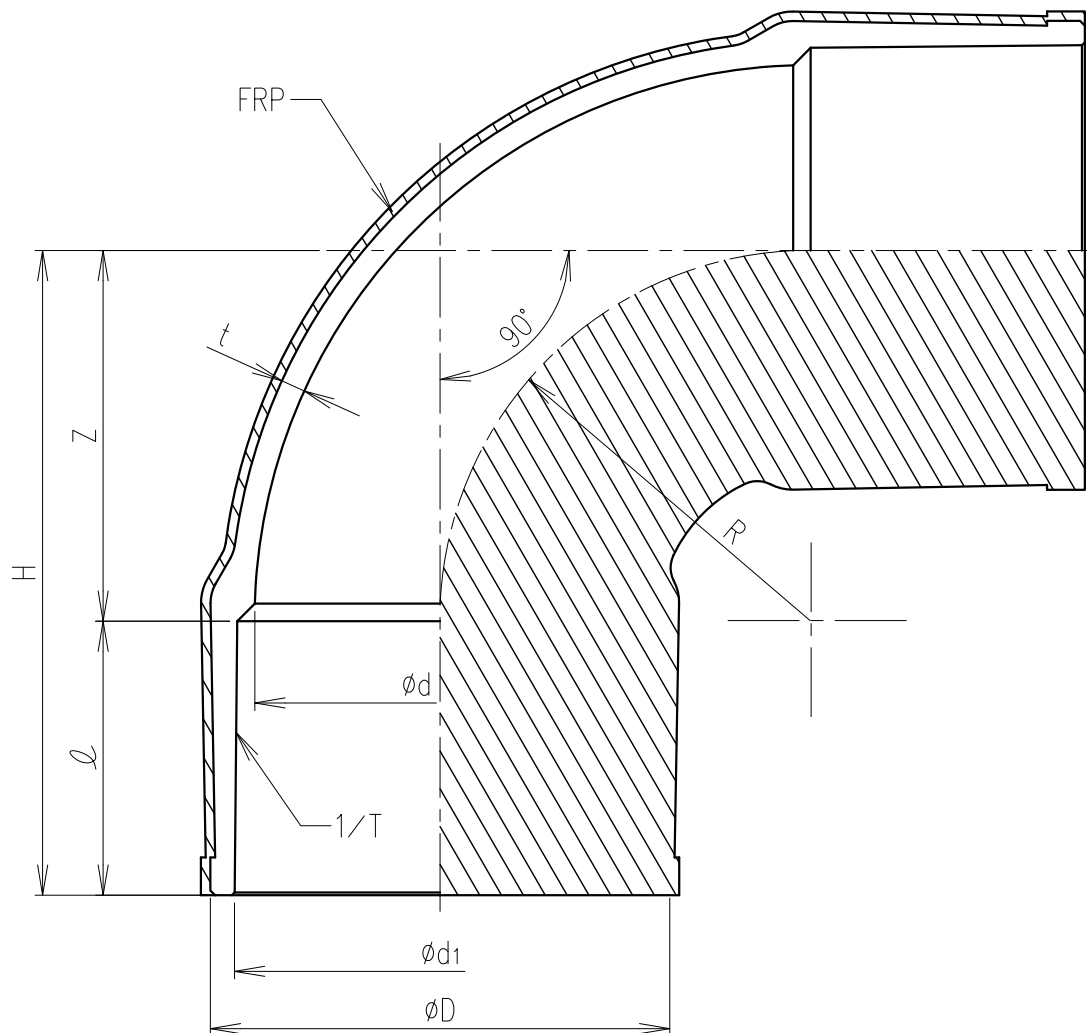
Material

- EsloClean
- HI-PVC
- U-PVC

Eslon Fittings 45°Elbow (Fiber Reinforced Type)	Date	DWG No.
	2013.05.10	FHL200TTV (E)
SEKISUI CHEMICAL CO.,LTD.	Approved by:	

1-2013.05.10

Eslon Fittings  
90° Bend (Fiber Reinforced Type)



Dimension Table

Unit: mm

SIZE	A	øD	H	Z	ød	ød1	1/T	ℓ	R	t (Min.)
□	200	243	341	196	196	217.4±0.7	1/50	145	196	13.0
□	250	300	428	253	242	268.6±0.7	1/50	175	242	14.5
□	300	356	441	256	288	319.8±0.8	1/50	185	242	16.0

Remarks) Maximum Working Pressure : 1.0MPa

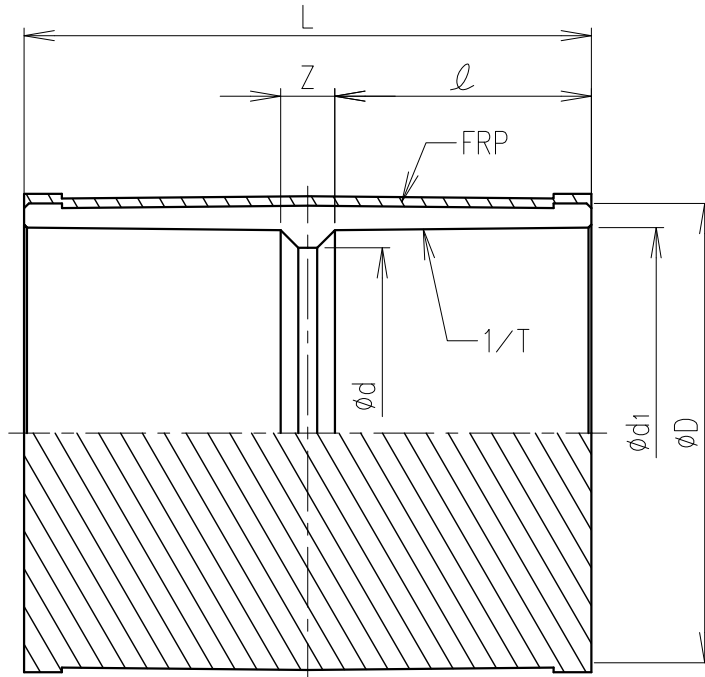
Material

- EsloClean
- HI-PVC
- U-PVC

Eslon Fittings 90° Bend (Fiber Reinforced Type)	Date	DWG No.
	2013.05.10	FLL200TTV (E)
SEKISUI CHEMICAL CO.,LTD.	Approved by:	

1-2013.05.10

Eslon Fittings  
Coupling (Fiber Reinforced Type)



Dimension Table

Unit: mm

Size	A	øD	Z	ød	ød1	1/T	l	L
□	200	243	10	196	217.4±0.7	1/50	145	300
□	250	300	34	242	268.6±0.7	1/50	175	384
□	300	356	38	288	319.8±0.8	1/50	185	408

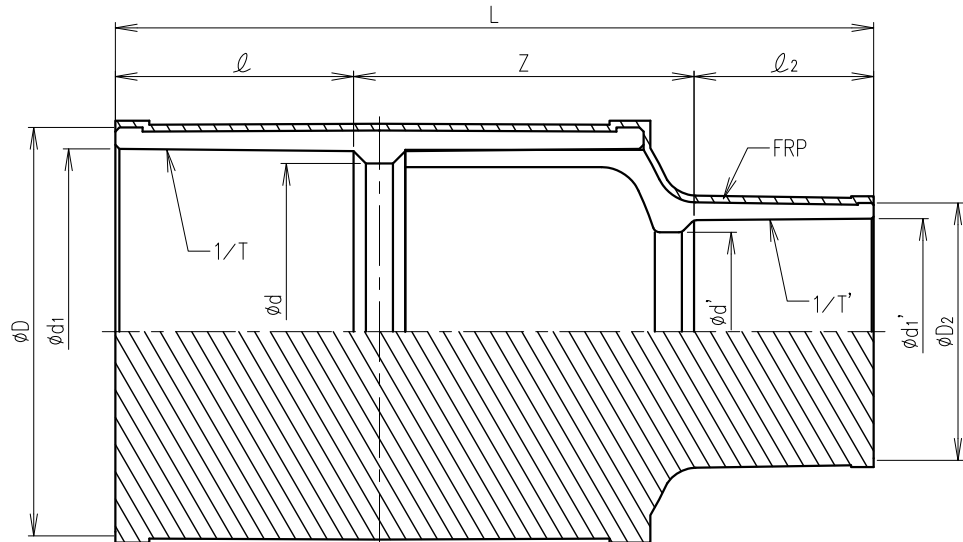
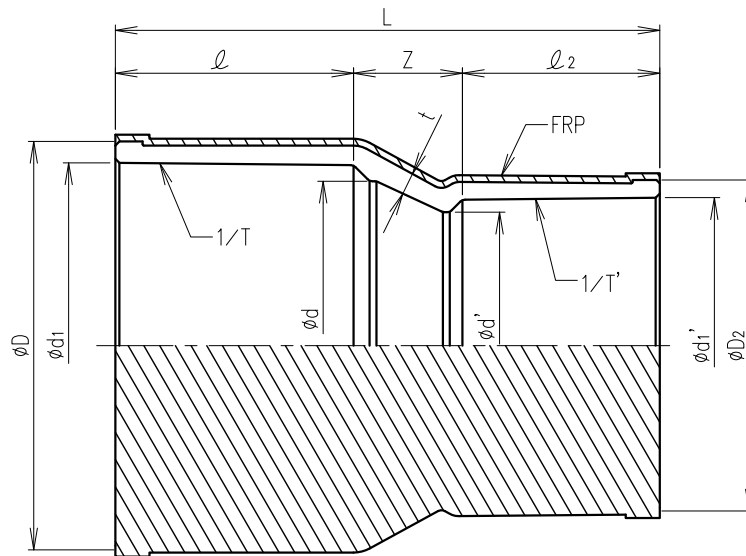
Remarks) Maximum Working Pressure : 1.0MPa

Material

- EsloClean
- HI-PVC
- U-PVC

Eslon Fittings Coupling (Fiber Reinforced Type)	Date	DWG No.
	2014.03.26	FFS200TTV (E)
SEKISUI CHEMICAL CO.,LTD.	Approved by:	

Eslon Fittings Reducing coupling  
(Fiber Reinforced Type)



Bushing type

Dimension Table

Unit: mm

size	A	øD	ød	ød1	1/T	l	øD2	ød'	ød1'	1/T'	l2	Z	L	t (Min.)
□ 200x150	243	196	217.4±0.7	1/50	145	189	146	166.0±0.4	1/63	132	91	368	13.0	
□ 250x150*	300	242	268.6±0.7	1/50	175	189	146	166.0±0.4	1/63	132	250	557	-	
□ 250x200	300	242	268.6±0.7	1/50	175	243	196	217.4±0.7	1/50	145	80	400	14.5	
□ 300x150*	356	288	319.8±0.8	1/50	185	189	146	166.0±0.4	1/63	132	288	605	-	
□ 300x200*	356	288	319.8±0.8	1/50	185	243	196	217.4±0.7	1/50	145	271	601	-	
□ 300x250	356	288	319.8±0.8	1/50	185	300	242	268.6±0.7	1/50	175	75	435	16.0	

Maximum Working Pressure : 1.0MPa

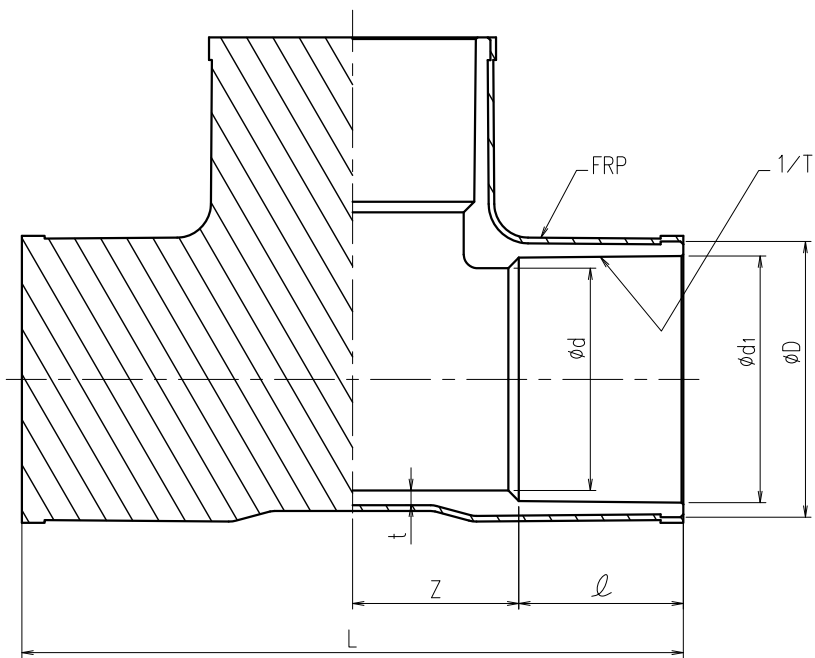
\* With bushing

Material

- EsloClean
- HI-PVC
- U-PVC

Eslon Fittings Reducing coupling (Fiber Reinforced Type)	Date	DWG No.
	2013.05.10	FRS200TTV (E)
SEKISUI CHEMICAL CO.,LTD.	Date	Approved by:
	2013.05.10	

Eslon Fittings  
Tee (Fiber Reinforced Type)



Dimension Table

Unit: mm

Size	A	øD	ød	ød1	1/T	ø	H	Z	L	t
□	200	243	196	217.4±0.7	1/50	145	267	122	534	13.0
□	250	300	242	268.6±0.7	1/50	175	355	180	710	14.5
□	300	356	288	319.8±0.8	1/50	185	410	225	820	16.0

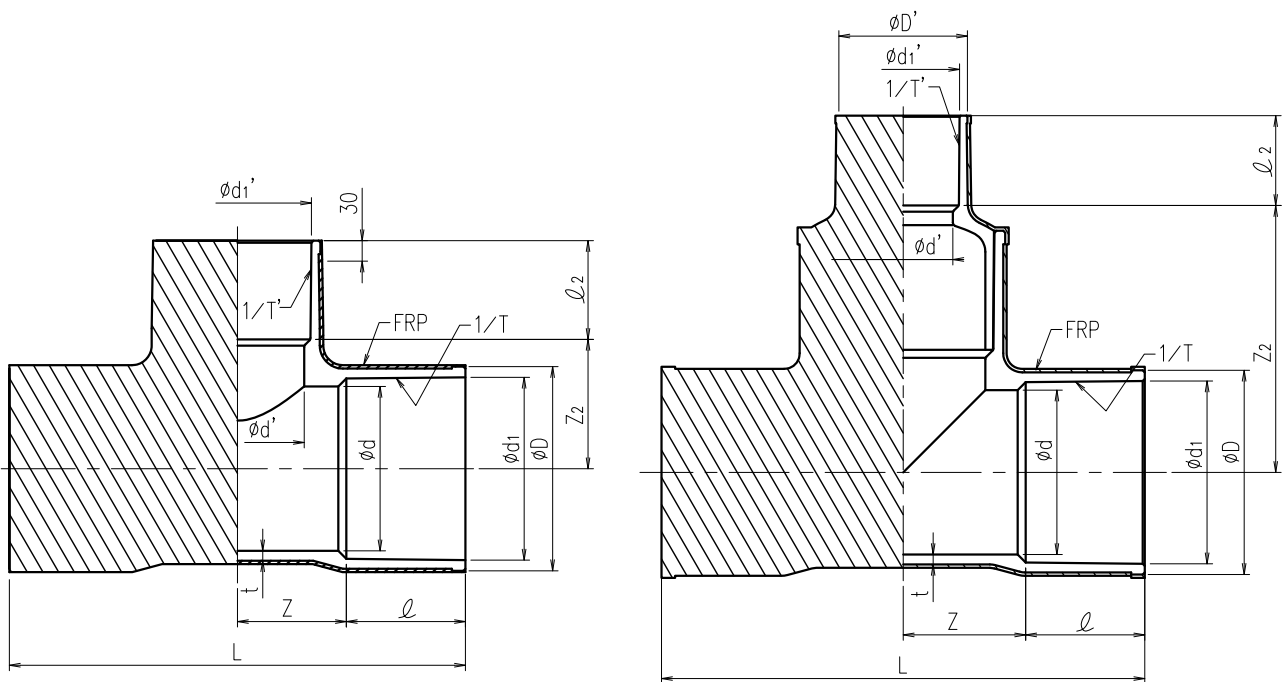
Maximum Working Pressure : 1.0MPa

Material

- EsloClean
- HI-PVC
- U-PVC

Eslon Fittings Tee (Fiber Reinforced Type)	Date	DWG No.
	2013.05.10	FFT200TTV(E)
SEKISUI CHEMICAL CO.,LTD.	Approved by:	

# Eslon Fittings Reducing Tee (Fiber Reinforced Type)



BUSH TYPE

Dimension Table

Unit: mm

	Size	$\phi D$	$\phi d$	$\phi d_1$	1/T	$\ell$	Z	$\phi D_2$	$\phi d'$	$\phi d_1'$	1/T'	$\phi d_2'$	Z <sub>2</sub>	L	t (Min.)
<input type="checkbox"/>	200x75	243	196	217.4±0.7	1/50	145	56	106	77	89.6±0.3	1/49	64	116	402	13.0
<input type="checkbox"/>	200x100	243	196	217.4±0.7	1/50	145	73	134	102	114.7±0.3	1/56	84	116	436	13.0
<input type="checkbox"/>	200x150	243	196	217.4±0.7	1/50	145	100	189	146	166.0±0.4	1/63	132	125	490	13.0
<input type="checkbox"/>	250x75	300	242	268.6±0.7	1/50	175	71	106	77	89.6±0.3	1/49	64	146	492	14.5
<input type="checkbox"/>	250x100	300	242	268.6±0.7	1/50	175	92	134	102	114.7±0.3	1/56	84	141	534	14.5
<input type="checkbox"/>	250x150*	300	242	268.6±0.7	1/50	175	180	189	146	166.0±0.4	1/63	132	392	710	14.5
<input type="checkbox"/>	250x200	300	242	268.6±0.7	1/50	175	160	243	196	217.4±0.7	1/50	145	190	670	14.5
<input type="checkbox"/>	300x75	356	288	319.8±0.8	1/50	185	75	106	77	89.6±0.3	1/49	64	172	520	16.0
<input type="checkbox"/>	300x100	356	288	319.8±0.8	1/50	185	81	134	102	114.7±0.3	1/56	84	173	532	16.0
<input type="checkbox"/>	300x150*	356	288	319.8±0.8	1/50	185	190	189	146	166.0±0.4	1/63	132	429	750	16.0
<input type="checkbox"/>	300x200*	356	288	319.8±0.8	1/50	185	225	243	196	217.4±0.7	1/50	145	454	820	16.0
<input type="checkbox"/>	300x250	356	288	319.8±0.8	1/50	185	190	300	242	268.6±0.7	1/50	175	217	750	16.0

Remarks)

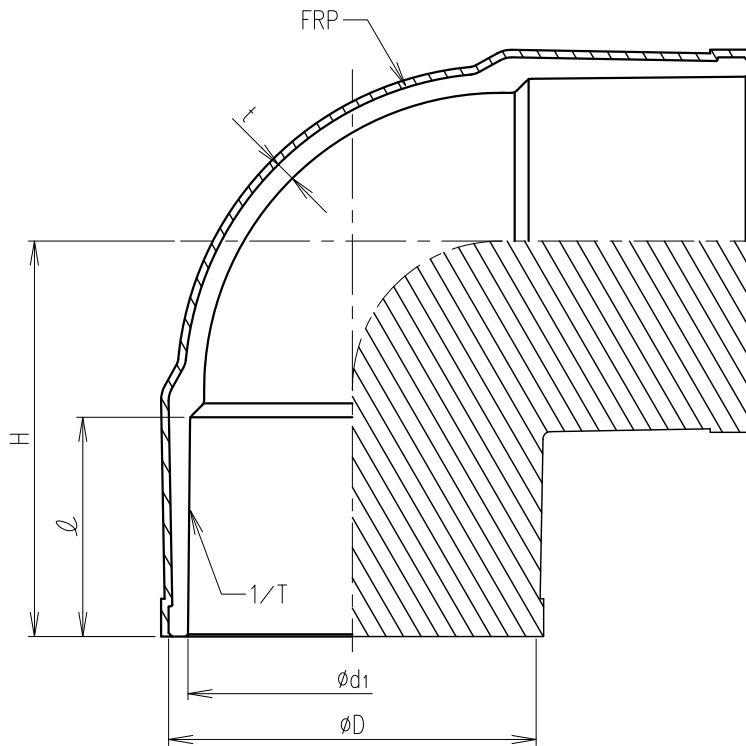
1. Maximum Working Pressure : 1.0MPa
2. \* : Bush Type

## Material

- EsloClean
- HI-PVC
- U-PVC

Eslon Fittings Reducing Tee (Fiber Reinforced Type)	Date	DWG No.
	2014.05.07	FRT200TTV (E)
SEKISUI CHEMICAL CO.,LTD.	Approved by:	

Eslon HT Fittings  
 ELBOW (Fiber Reinforced Type) 1.0MPa



Dimension Table

Unit: mm

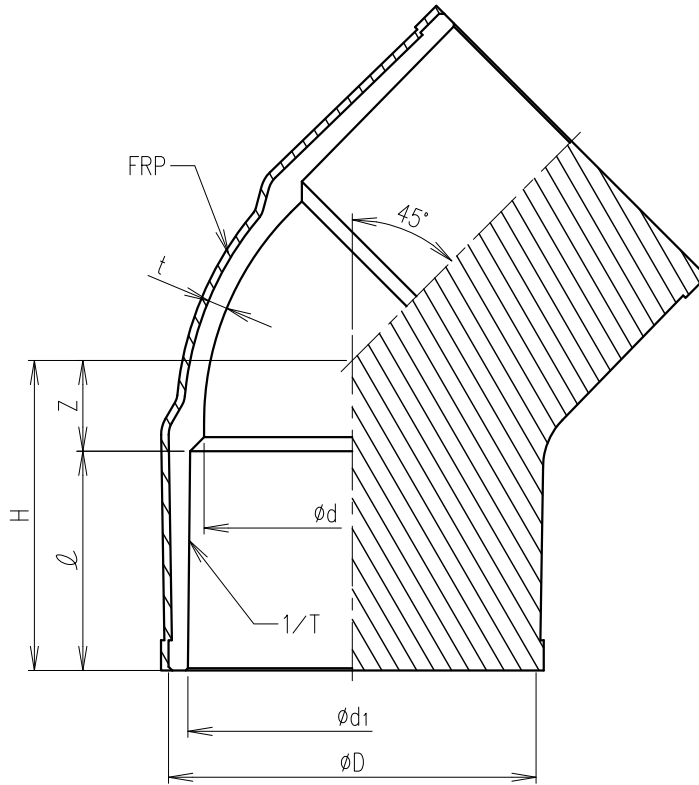
Size	$\phi D$	H	$\phi d_1$	1/T	$l$	t (Min.)
200	243	261.5	$217.4 \pm 0.7$	1/50	145	13.0
250	300	317.8	$268.6 \pm 0.7$	1/50	175	14.5
300	356	355.0	$319.8 \pm 0.8$	1/50	185	16.0

Remarks) Maximum Working Pressure :1.0MPa

Eslon HT Fittings ELBOW (Fiber Reinforced Type) 1.0MPa	DWG No.
	FFLN200TTT (E)
SEKISUI CHEMICAL CO.,LTD.	Approved by:
	Date
	2014.05.21



Eslon HT Fittings  
45ELBOW (Fiber Reinforced Type) 1.0MPa



Dimension Table

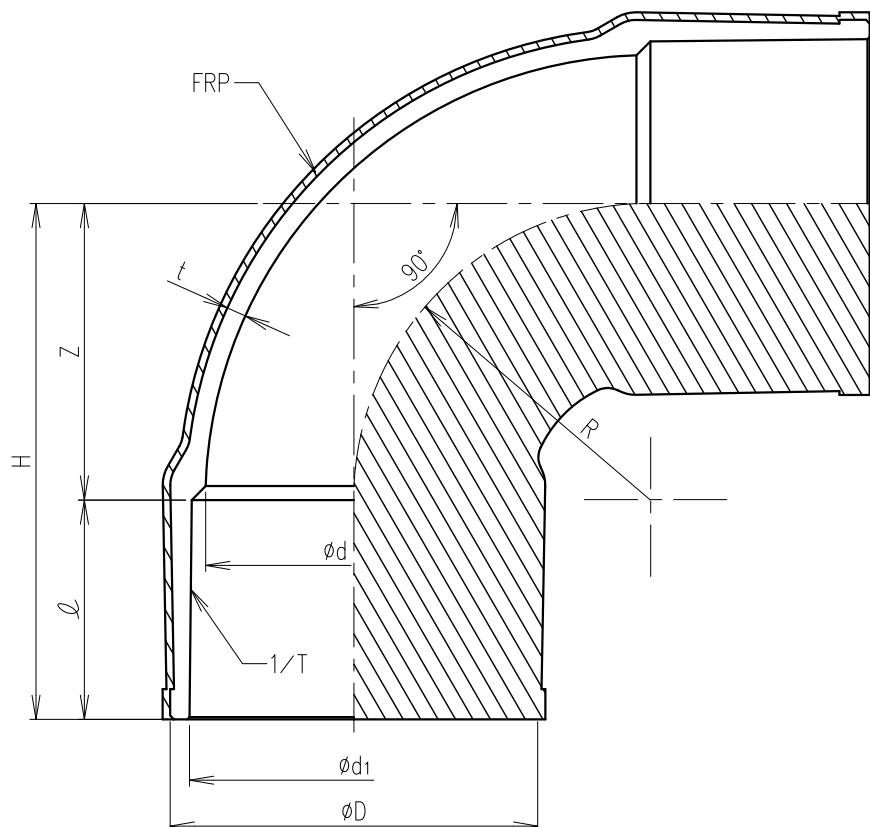
Unit: mm

SIZE	A	$\phi D$	H	Z	$\phi d$	$\phi d_1$	1/T	$\ell$	t (Min.)
□	200	243	205	60	196	216.9 ± 0.8	1/50	145	13.0
□	250	300	254	79	242	268.1 ± 0.9	1/50	175	14.5
□	300	356	280	95	288	319.4 ± 1.2	1/50	185	16.0

Remarks) Maximum Working Pressure :1.0MPa

Eslon HT Fittings 45ELBOW (Fiber Reinforced Type) 1.0MPa		DWG No.
		FHL200TTT (E)
SEKISUI CHEMICAL CO.,LTD.	Date	Approved by:
	2014.05.21	

Eslon HT Fittings  
 90BEND (Fiber Reinforced Type) 1.0MPa



Dimension Table

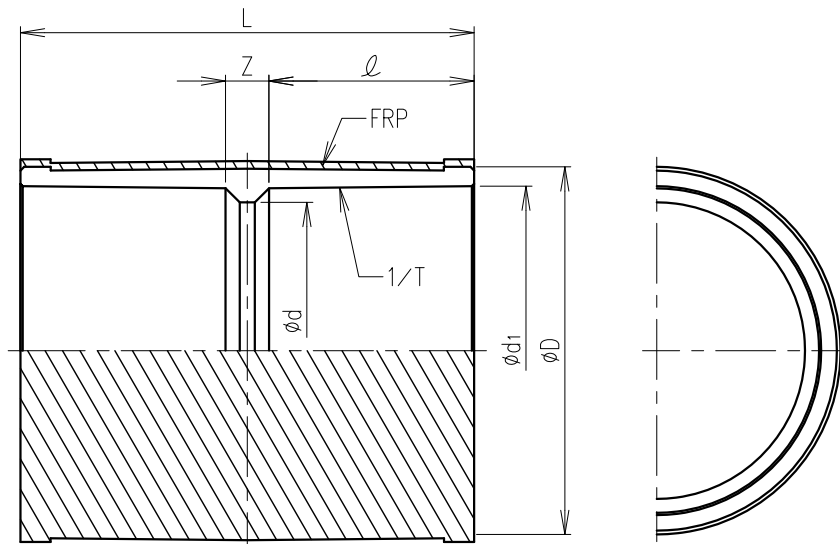
Unit: mm

SIZE	A	$\phi D$	H	Z	$\phi d$	$\phi d_1$	1/T	$\ell$	R	t (Min.)
□	200	243	341	196	196	216.9 ± 0.8	1/50	145	196	13.0
□	250	300	428	253	242	268.1 ± 0.9	1/50	175	242	14.5
□	300	356	441	256	288	319.4 ± 1.2	1/50	185	242	16.0

Remarks) Maximum Working Pressure :1.0MPa

Eslon HT Fittings 90BEND (Fiber Reinforced Type) 1.0MPa		DWG No.
		FLL200TTT (E)
SEKISUI CHEMICAL CO.,LTD.	Date	Approved by:
	2014.05.21	

Eslon HT Fittings  
 SOCKET (Fiber Reinforced Type) 1.0MPa



Dimension Table

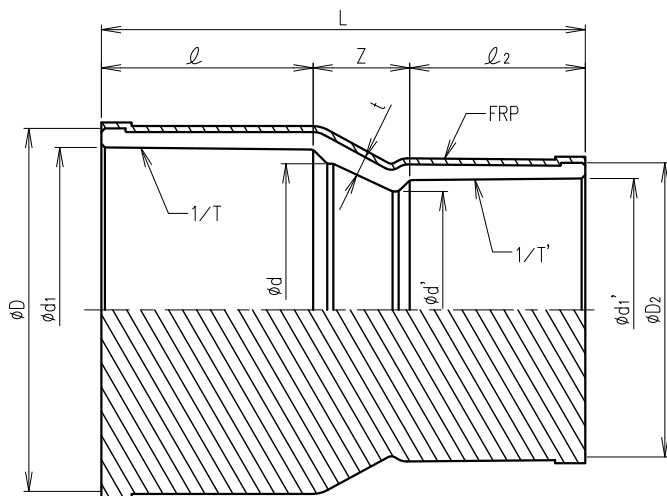
Unit: mm

SIZE	A	$\phi D$	Z	$\phi d$	$\phi d_1$	1/T	$\ell$	L
□	200	243	10	196	$216.9 \pm 0.8$	1/50	145	300
□	250	300	34	242	$268.1 \pm 0.9$	1/50	175	384
□	300	356	38	288	$319.4 \pm 1.2$	1/50	185	408

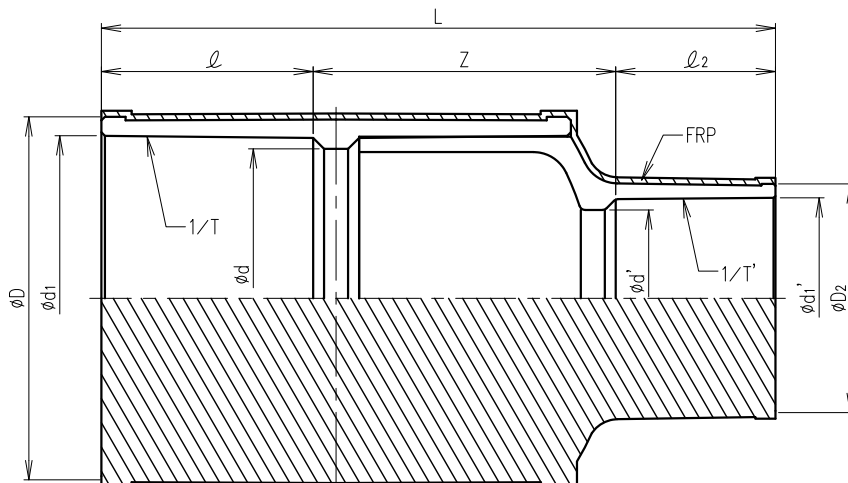
Remarks) Maximum Working Pressure :1.0MPa

Eslon HT Fittings SOCKET (Fiber Reinforced Type) 1.0MPa	Date	DWG No.
	2014.05.21	FFS200TTT (E)
SEKISUI CHEMICAL CO.,LTD.		Approved by:

Eslon HT Fittings  
REDUCING SOCKET (Fiber Reinforced Type) 1.0MPa



Bush Type



Dimension Table

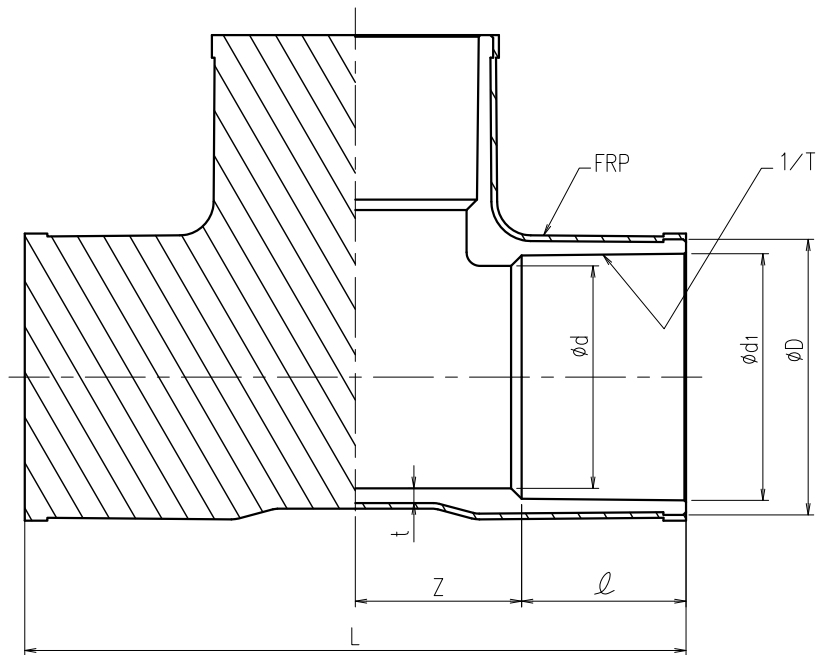
Unit: mm

SIZE	$\phi D$	$\phi d$	$\phi d_1$	1/T	$l$	$\phi D_2$	$\phi d'$	$\phi d_1'$	1/T'	$l_2$	Z	L	t (Min.)
200x150	243	196	216.9±0.8	1/50	145	189	146	166.0±0.4	1/63	132	91	368	13.0
250x150 *	300	242	268.1±0.9	1/50	175	189	146	166.0±0.4	1/63	132	250	557	-
250x200	300	242	268.1±0.9	1/50	175	243	196	216.9±0.8	1/50	145	80	400	14.5
300x150 *	356	288	319.4±1.2	1/50	185	189	146	166.0±0.4	1/63	132	288	605	-
300x200 *	356	288	319.4±1.2	1/50	185	243	196	216.9±0.8	1/50	145	271	601	-
300x250	356	288	319.4±1.2	1/50	185	300	242	268.1±0.9	1/50	175	75	435	16.0

Remarks) 1. Maximum Working Pressure :1.0MPa  
2. \*Bush Type

Eslon HT Fittings REDUCING SOCKET (Fiber Reinforced Type) 1.0MPa		DWG No.
		FRS200TTT (E)
SEKISUI CHEMICAL CO.,LTD.	Date	Approved by:
	2014.05.21	

Eslon HT Fittings  
TEE (Fiber Reinforced Type) 1.0MPa



Dimension Table

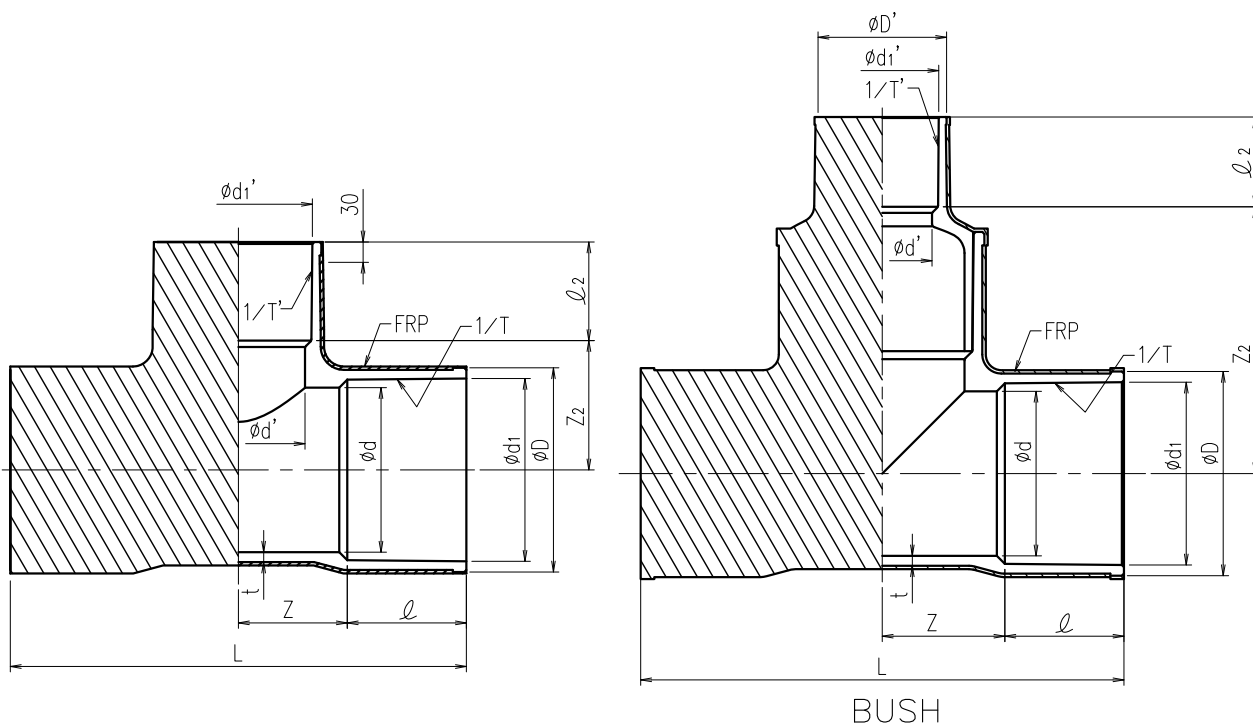
Unit: mm

Size	$\phi D$	$\phi d$	$\phi d_1$	1/T	$\ell$	Z	L	t (Min.)
200x200	243	196	$216.9 \pm 0.8$	1/50	145	122	534	13.0
250x250	300	242	$268.1 \pm 0.9$	1/50	175	180	710	14.5
300x300	356	288	$319.4 \pm 1.2$	1/50	185	225	820	16.0

Remarks) Maximum Working Pressure :1.0MPa

Eslon HT Fittings TEE (Fiber Reinforced Type) 1.0MPa		DWG No.
		FFT200TTT (E)
SEKISUI CHEMICAL CO.,LTD.	Date	Approved by:
	2014.05.21	

Eslon HT Fittings  
REDUCING TEE (Fiber Reinforced Type) 1.0MPa



Dimension Table

Unit: mm

	Size	$\phi D$	$\phi d$	$\phi d_1$	1/T	$\ell$	Z	$\phi D_2$	$\phi d'$	$\phi d_1'$	1/T	$\ell_2$	Z <sub>2</sub>	L	t (Min.)
□	200x75	243	196	216.9±0.8	1/50	145	56	106	77	89.6±0.3	1/49	64	116	402	13.0
□	200x100	243	196	216.9±0.8	1/50	145	73	134	102	114.7±0.3	1/56	84	116	436	13.0
□	200x150	243	196	216.9±0.8	1/50	145	100	189	146	166.0±0.4	1/63	132	125	490	13.0
□	250x75	300	242	268.1±0.9	1/50	175	71	106	77	89.6±0.3	1/49	64	146	492	14.5
□	250x100	300	242	268.1±0.9	1/50	175	92	134	102	114.7±0.3	1/56	84	141	534	14.5
□	250x150*	300	242	268.1±0.9	1/50	175	180	189	146	166.0±0.4	1/63	132	392	710	14.5
□	250x200	300	242	268.1±0.9	1/50	175	160	243	196	217.4±0.7	1/50	145	190	670	14.5
□	300x75	356	288	319.4±1.2	1/50	185	75	106	77	89.6±0.3	1/49	64	172	520	16.0
□	300x100	356	288	319.4±1.2	1/50	185	81	134	102	114.7±0.3	1/56	84	173	532	16.0
□	300x150*	356	288	319.4±1.2	1/50	185	190	189	146	166.0±0.4	1/63	132	429	750	16.0
□	300x200*	356	288	319.4±1.2	1/50	185	225	243	196	217.4±0.7	1/50	145	454	820	16.0
□	300x250	356	288	319.4±1.2	1/50	185	190	300	242	268.6±0.7	1/50	175	217	750	16.0

Remarks) Maximum Working Pressure :1.0MPa

\*With Bushing

Eslon HT Fittings REDUCING TEE (Fiber Reinforced Type) 1.0MPa		DWG No.
		FRT200TTT (E)
SEKISUI CHEMICAL CO.,LTD.	Date	Approved by:
	2014.05.21	