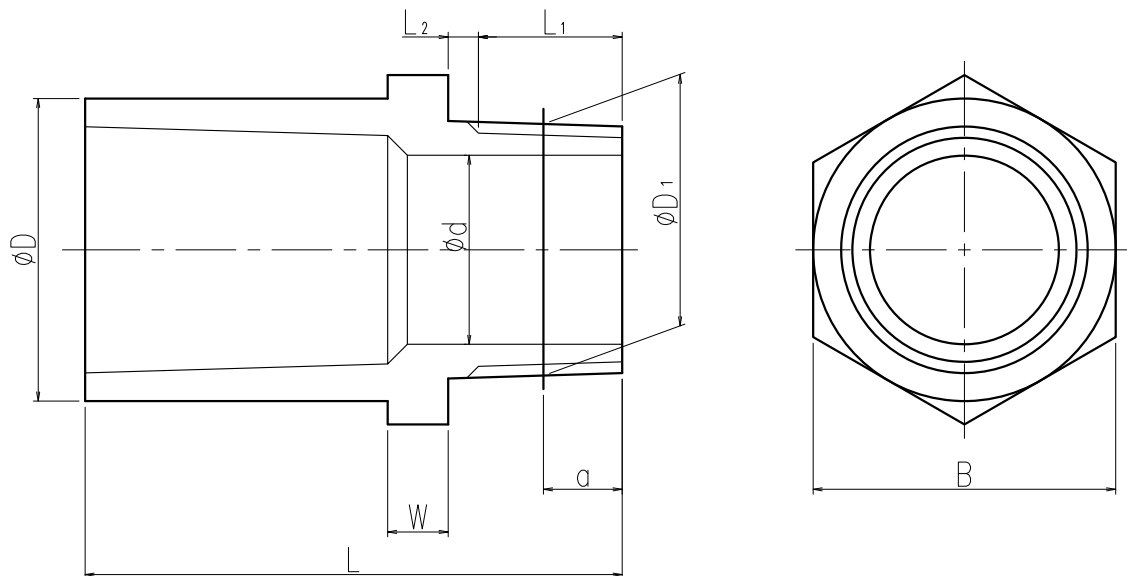


Clean Fittings
Male Adaptor



Dimension Table

Unit:mm

	Size	øD	ød	L $\begin{smallmatrix} +5 \\ -2 \end{smallmatrix}$	Thread					W	B
					øD1	a	a tolerance	L1	L2		
□	13x 1/2	24	13	50	20.955	8.16	±1.81	15	3.5	6	24
□	16x 1/2	29	13	54	20.955	8.16	±1.81	15	3.5	6	29
□	20x 3/4	33	18	64	26.441	9.53	±1.81	17	3.5	8	33
□	25x 1	40	23	71	33.249	10.39	±2.31	19	4.0	8	40
□	30x 1-1/4	46	31	80	41.910	12.70	±2.31	22	4.0	10	46
□	40x 1-1/2	57	37	92	47.803	12.70	±2.31	22	5.0	10	57
□	50x 2	70	48	106	59.614	15.88	±2.31	26	5.0	12	70
□	65x 2-1/2	87	63	119	75.184	17.50	±6.90	30	6.0	14	91
□	75x 3	102	74	128	87.884	20.60	±6.90	34	6.0	16	108
□	100x 4	130	96	157	113.030	25.40	±6.90	40	7.0	18	135

Note) 1. Thread dimension is in accordance with the following standard; JIS B 0203

Clean Fittings Male Adaptor		DWG No.
		VS25ATMV
SEKISUI SEKISUI CHEMICAL CO.,LTD.	Date	Approved by:
	2000.03.28	