

No.	Part Name	Q'TY	Material/Type	No.	Part Name	Q'TY	Material/Type	
22	Lower Mount	1	FRP	1	Body	1	PVC	
23	Insert Nut	2	C3601	2	Stem	1		
* Stem O-Ring material will be FKM+PTFE in case of Oil Free.								
				3	Ball holder	1		
				4	Ball	1		
				5	Union nut	2		
				6	Set Ring	2		
				7	Flange	2		
				8	Stem O-ring (※)	15-20A 1 25-50A 2	□EPDM □FKM	
				9	Ball holder O-ring	1		
				10	Union O-ring	2		
				11	Ball seat O-ring	2		
				12	Ball Seat	2	PTFE	
				13	Electric Actuator	1	-	
				14	Yoke	1	SUS304	
				15	Joint	1	SUS303	
				16	Stud Bolt	2	SUS304	
				17	Nut	2	SUS304	
				18	Spring Washer	2	SUS304	
				19	Washer	2	SUS304	
				20	Yoke	1	FRP	
				21	Upper Mount	1	FRP	

Actuator Specification		
Type	MRP5	MRP6
Open-Close time	10sec	13sec
Operating Voltage	DC24V	
Motor Type	Stepper Motor	
Input Signal	DC4-20mA (Input Resistance 250Ω)	
Output Signal	DC1-5V (Allowable Load Resistance 5KΩ or more)	
Resolution	MAX1/1000	
Insulation resistance	100MΩ or more/DC500V	
Power consumption	approx. 14.4W	
Protection Class	IP66	

Dimension Table

Unit: mm

Size	A (B)	φd	L	FLANGE												H	h	φDu	A1	A2	B	W1	W2	Actuator Type	Fixing Insert Nut	
				JIS10K				ANSI				DIN													X	Mxe
				φD	φC	n-φh	t	φD	φC	n-φh	t	φD	φC	n-φh	t											
□ 15 (1/2)	15	143±1.5	95	70	4-15	14	89.0	60.5	4-16	11.5	95	65	4-14	11	316	267	49	63	58	98	92	50	MRP5	50	M6x15	
□ 20 (3/4)	20	172±1.5	100	75	4-15	14	98.0	70.0	4-16	13.0	105	75	4-14	12	321	270	59	63	58	98	92	50	MRP5	50	M6x15	
□ 25 (1)	25	187±1.5	125	90	4-19	14	108.0	79.5	4-16	14.5	115	85	4-14	14	346	282	67	63	58	98	92	50	MRP5	50	M6x15	
□ 32 (1-1/4)	32	190±1.5	135	100	4-19	16	117.5	89.0	4-16	16.0	140	100	4-18	15	355	286	81	63	58	98	98	60	MRP5	55	M6x15	
□ 40 (1-1/2)	40	212±1.5	140	105	4-19	16	127.0	98.5	4-16	17.5	150	110	4-18	16	407	336	98	56	118	110	117	70	MRP6	70	M8x20	
□ 50 (2)	50	234±1.5	155	120	4-19	20	152.0	120.5	4-19	19.5	165	125	4-18	18	422	343	120	56	118	110	135	70	MRP6	85	M8x20	

Note) 1. Flange dimension is in accordance with the following standard;
 JIS B 2220 for JIS10K, ANSI B16.5 for ANSI and DIN2501 PN10/PN16 (ISO7005 PN10) for DIN
 2. If a fixing insert bolt is used, it should not be screwed in beyond dimension e.

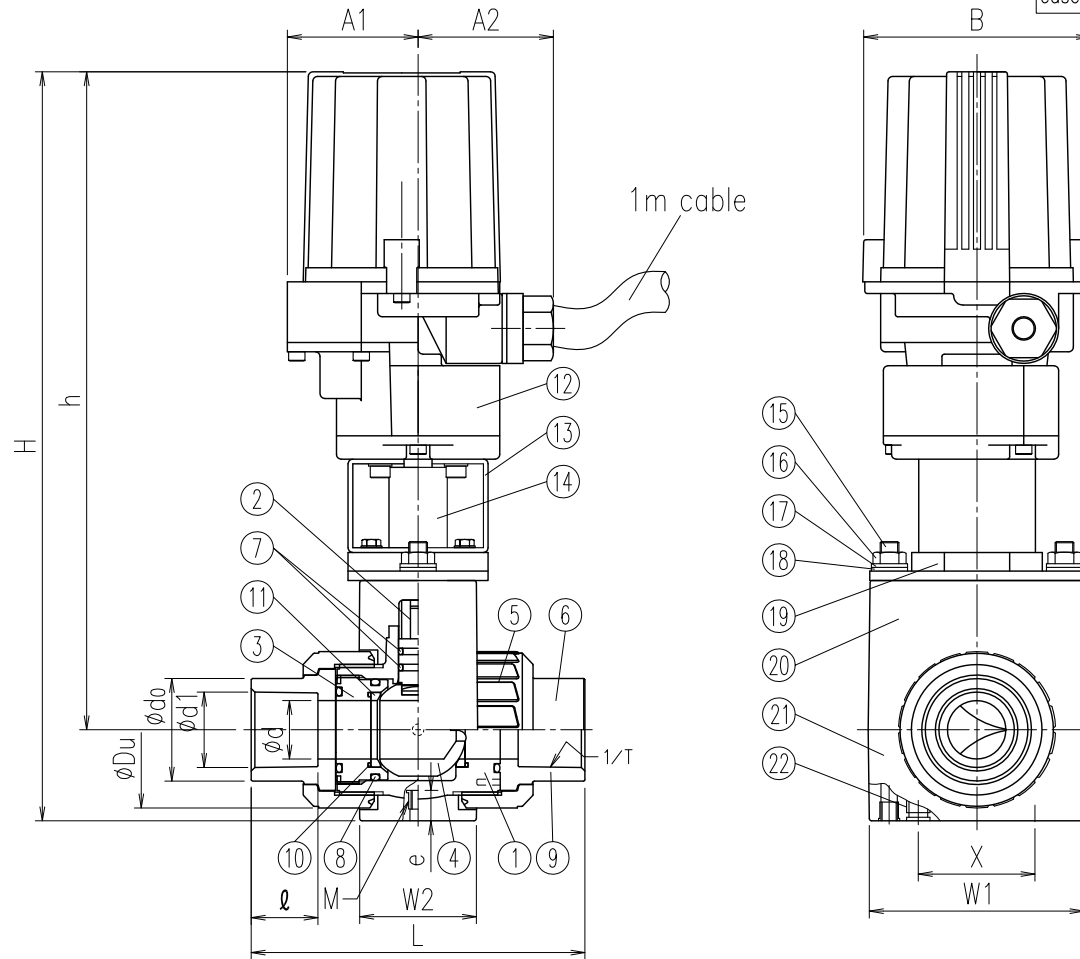
Client name		Date
Voltage	□DC24V (Standard) □AC100V (Special order)	Approved by:
Socket Standard	□JIS10K □ANSI □DIN	
Oil Free	□YES	

ESLON Electric YP Ball Valve
 Flange Type/15 (1/2") -50 (2")

Drawing No. YVM1550FXE

SEKISUI SEKISUI CHEMICAL CO.,LTD.

No.	Part Name	Q'TY	Material/Type	No.	Part Name	Q'TY	Material/Type	
※ Stem O-Ring material will be FKM+PTFE in case of Oil Free.								
1	Body	1	PVC	7	Stem O-ring (※)	15-20A	□EPDM □FKM	
2	Stem	1		25-50A	2			
3	Ball holder	1			8	Ball holder O-ring		1
4	Ball	1			9	Union O-ring		1
5	Union nut	2			10	Ball seat O-ring		2
6	Socket	2		11	Ball Seat	2	PTFE	
12	Electric Actuator	1	-	13	Yoke	1	SUS304	
14	Joint	1	SUS303	14	Joint	1	SUS303	
15	Stud Bolt	2	SUS304	15	Stud Bolt	2	SUS304	
16	Nut	2	SUS304	16	Nut	2	SUS304	
17	Spring Washer	2	SUS304	17	Spring Washer	2	SUS304	
18	Washer	2	SUS304	18	Washer	2	SUS304	
19	Yoke	1	FRP	19	Yoke	1	FRP	
20	Upper Mount	1	FRP	20	Upper Mount	1	FRP	
21	Lower Mount	1	FRP	21	Lower Mount	1	FRP	
22	Insert Nut	2	C3601	22	Insert Nut	2	C3601	



Type	MRP5	MRP6
Open-Close time	10sec	13sec
Operating Voltage	DC24V	
Motor Type	Stepper Motor	
Input Signal	DC4-20mA (Input Resistance 250Ω)	
Output Signal	DC1-5V (Allowable Load Resistance 5KΩ or more)	
Resolution	MAX1/1000	
Insulation resistance	100MΩ or more/DC500V	
Power consumption	approx. 14.4W	
Protection Class	IP66	

Dimension Table

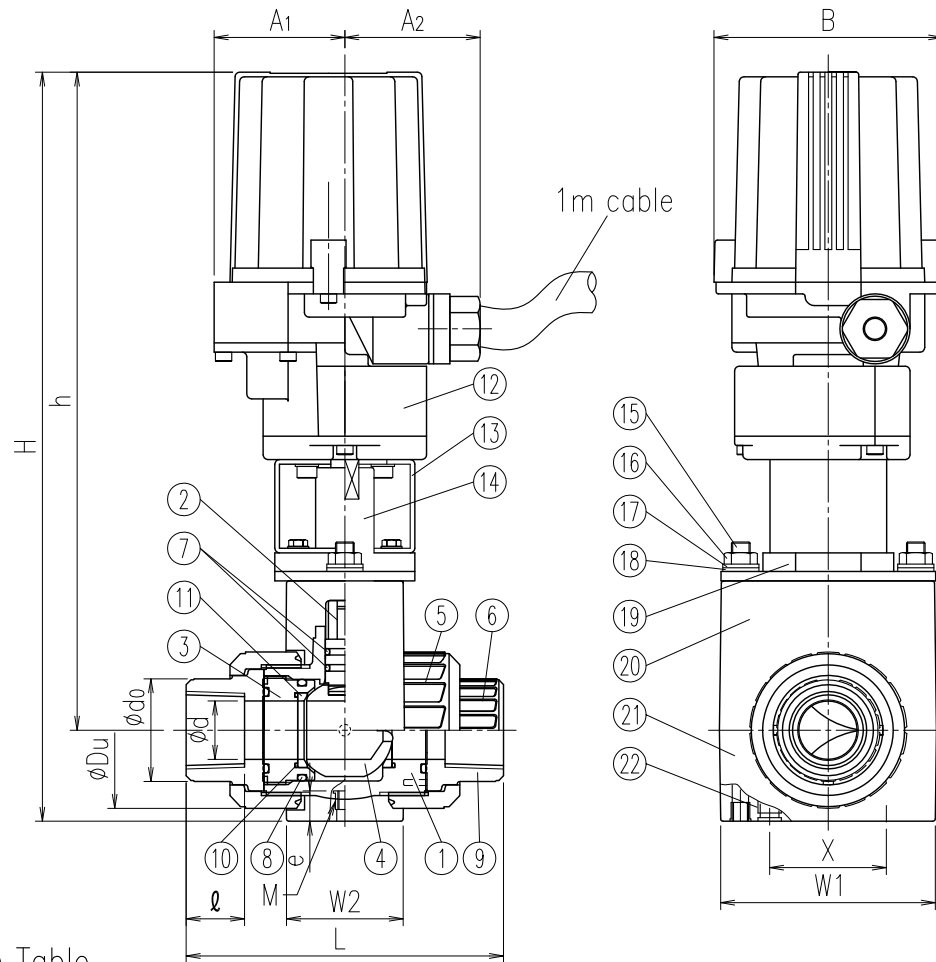
Size	A (B)	φd	L												H	h	φDu	A1	A2	B	W1	W2	Actuator Type	Fixing Insert Nut	
			SOCKET			φd1	1/T	ℓ	SOCKET			φd1	1/T	ℓ										X	Mxe
			JIS	ASTM	DIN				JIS	ASTM	DIN														
□ 15 (1/2)	15	109±3.0	103±3.0	92±3.0	22.3	1/37	22	21.54	1/72	22	20.3	1/65	16	296	267	49	63	58	98	53	93	MRP5	50	M6x15	
□ 20 (3/4)	20	132±3.0	119±3.0	107±3.0	26.3	1/42	25	26.87	1/85	25	25.3	1/80	19	304	270	59	63	58	98	53	93	MRP5	50	M6x15	
□ 25 (1)	25	143±3.0	133±3.0	121±3.0	32.3	1/43	29	33.65	1/75	29	32.3	1/95	22	321	282	67	63	58	98	53	93	MRP5	50	M6x15	
□ 32 (1·1/4)	32	166±3.0	147±3.0	137±3.0	38.4	1/37	32	42.42	1/84	32	40.3	1/115	26	335	286	81	63	58	98	61	98	MRP5	55	M6x15	
□ 40 (1·1/2)	40	175±3.0	171±3.0	161±3.0	48.5	1/38	35	48.56	1/78	35	50.3	1/140	31	395	336	98	56	118	110	70	117	MRP6	70	M8x20	
□ 50 (2)	50	203±3.0	188±3.0	189±3.0	60.7	1/34	38	60.63	1/83	38	63.3	1/175	38	417	343	120	56	118	110	70	135	MRP6	85	M8x20	

Note) 1. Socket dimension is in accordance with the following standard;ASTM:ASTM D2467 and DIN2501 PN10/PN16 (ISO7005 PN10) for DIN
 2. If a fixing insert bolt is used, it should not be screwed in beyond dimension e.

Client name		Date
Voltage	□DC24V (Standard) □AC100V (Special order)	Approved by:
Socket Standard	□JIS □ASTM □DIN	
Oil Free	□YES	

ESLON Electric YP Ball Valve
 TS Socket Type/15 (1/2") -50 (2")
 Drawing No. | YVM1550SXE

SEKISUI SEKISUI CHEMICAL CO.,LTD.



No.	Part Name	Q'TY	Material/Type	No.	Part Name	Q'TY	Material/Type	
1	Body	1	PVC	11	Ball Seat	2	PTFE	
2	Stem	1			12	Electric Actuator	1	-
3	Ball holder	1			13	Yoke	1	SUS304
4	Ball	1			14	Joint	1	SUS303
5	Union nut	2			15	Stud Bolt	2	SUS304
6	Thread Socket	2	EPDM FKM	16	Nut	2	SUS304	
7	Stem O-ring (*)	15-20A 25-50A		1	17	Spring Washer	2	SUS304
8	Ball holder O-ring	1			18	Washer	2	SUS304
9	Union O-ring	2		19	Yoke	1	FRP	
10	Ball seat O-ring	2		20	Upper Mount	1	FRP	
11	Ball Seat	2	PTFE	21	Lower Mount	1	FRP	
12	Electric Actuator	1	-	22	Insert Nut	2	C3601	

* Stem O-Ring material will be FKM+PTFE in case of Oil Free.

Actuator Specification		
Type	MRP5	MRP6
Open-Close time	10sec	13sec
Operating Voltage	DC24V	
Motor Type	Stepper Motor	
Input Signal	DC4-20mA (Input Resistance 250Ω)	
Output Signal	DC1-5V (Allowable Load Resistance 5KΩ or more)	
Resolution	MAX1/1000	
Insulation resistance	100MΩ or more/DC500V	
Power consumption	approx. 14.4W	
Protection Class	IP66	

Dimension Table

Size	A (B)	φd	L	Thread			ℓ	φdo	H	h	φDu	A1	A2	B	W1	W2	Actuator Type	Fixing Insert Nut	
				JIS (Rc)	DIN (Rc)	ANSI (NPT)												DIN (Rp)	X
□ 15 (1/2)	15	97±3.0	1/2	1/2	1/2	18	30	296	267	49	63	58	98	92	50	MRP5	50	M6x15	
□ 20 (3/4)	20	117±3.0	3/4	3/4	3/4	18	35	304	270	59	63	58	98	92	50	MRP5	50	M6x15	
□ 25 (1)	25	128±3.0	1	1	1	23	44	321	282	67	63	58	98	92	50	MRP5	50	M6x15	
□ 32 (1·1/4)	32	146±3.0	1·1/4	1·1/4	1·1/4	23	54	335	286	81	63	58	98	98	60	MRP5	55	M6x15	
□ 40 (1·1/2)	40	163±3.0	1·1/2	1·1/2	1·1/2	25	65	395	336	98	56	118	110	117	70	MRP6	70	M8x20	
□ 50 (2)	50	188±3.0	2	2	2	30	77	417	343	120	56	118	110	135	70	MRP6	85	M8x20	

Note) 1. Thread dimension is in accordance with the following standard;
 JIS:JIS B 0203,ANSI:ANSI B1.20.1 and DIN2501 PN10/PN16 (ISO7005 PN10) for DIN
 2. If a fixing insert bolt is used, it should not be screwed in beyond dimension e.

Unit: mm

Client name		Date
Voltage	<input type="checkbox"/> DC24V (Standard) <input type="checkbox"/> AC100V (Special order)	Approved by:
Thread Standard	<input type="checkbox"/> Rc <input type="checkbox"/> NPT <input type="checkbox"/> Rp	
Oil Free	<input type="checkbox"/> YES	
ESLON Electric YP Ball Valve Thread Socket Type/15 (1/2") - 50 (2")		
Drawing No. YVM1550NXE		
SEKISUI SEKISUI CHEMICAL CO.,LTD.		