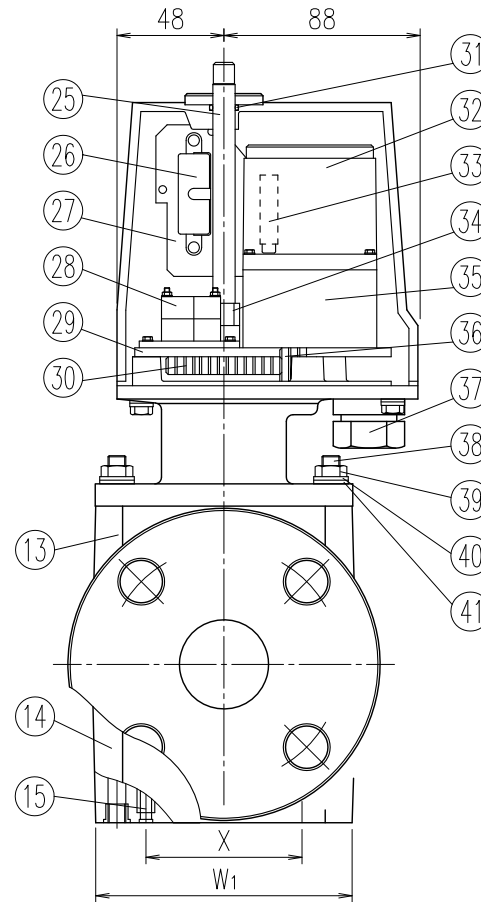
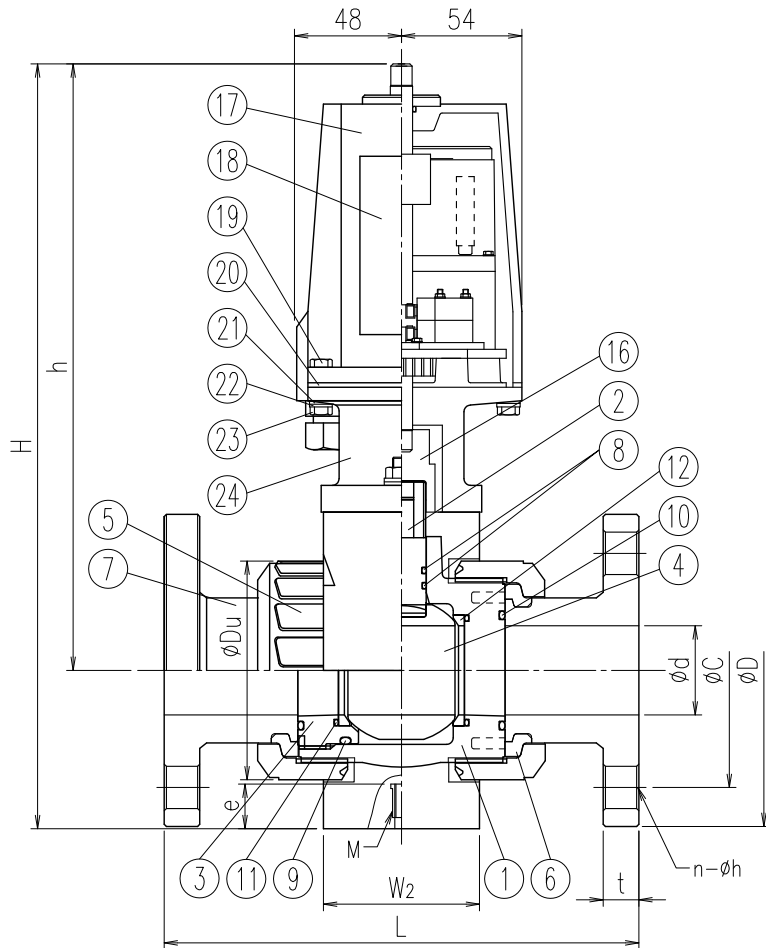


| No. | Part Name     | Q'TY | Material/Type | No. | Part Name   | Q'TY | Material/Type |
|-----|---------------|------|---------------|-----|-------------|------|---------------|
| 39  | Hexagon Nut   | 2    | SUS304        | 1   | Body        | 1    |               |
| 40  | Spring Washer | 2    | SUS304        | 2   | Stem        | 1    | □PVC          |
| 41  | Washer        | 2    | SUS304        | 3   | Ball holder | 1    | □DHT          |
|     |               |      |               | 4   | Ball        | 1    | □CPVC         |
|     |               |      |               | 5   | Union nut   | 2    | □PP           |
|     |               |      |               | 6   | Set ring    | 2    | □PVDF         |
|     |               |      |               | 7   | Flange      | 2    |               |



| No. | Part Name                | Q'TY | Material/Type    |
|-----|--------------------------|------|------------------|
| 8   | Stem O-ring※ 1)          | 1    | 15-20A<br>25-50A |
| 9   | Ball holder O-ring       | 2    | □EPDM            |
| 10  | Union O-ring             | 2    | □FKM             |
| 11  | Ball seat O-ring         | 2    |                  |
| 12  | Ball Seat                | 2    | PTFE             |
| 13  | Upper mount              | 1    | FRP              |
| 14  | Lower mount              | 1    | FRP              |
| 15  | Fixing Insert Nut        | 2    | C3601            |
| 16  | Drive Shaft              | 1    | SUS303           |
| 17  | Cover                    | 1    | AC-4+Epoxy paint |
| 18  | Name Plate               | 1    | AL-P             |
| 19  | Hexagonal Bolt           | 4    | SUS304           |
| 20  | Cover Gasket             | 1    | NR               |
| 21  | Spring Washer            | 4    | SUS304           |
| 22  | Washer                   | 4    | SUS304           |
| 23  | Hexagon Nut              | 4    | SUS304           |
| 24  | Yoke                     | 1    | AC-7+Epoxy paint |
| 25  | Manual Open-Close Handle | 1    | SUS303           |
| 26  | Capacitor                | 1    | -                |
| 27  | Terminal Stand           | 1    | Phenol resin     |
| 28  | Micro Switch             | 2    | OMRON: V-105-1A4 |
| 29  | Motor Base               | 1    | AC-7             |
| 30  | Gear                     | 1    | S45C             |
| 31  | O-Ring                   | 1    | SBR              |
| 32  | Reversible Motor         | 1    | -                |
| 33  | Thermal Protector        | 1    | -                |
| 34  | Cam                      | 2    | SS400            |
| 35  | Gear Head                | 1    | -                |
| 36  | Gear                     | 1    | S45C             |
| 37  | Electric Conduit Gland   | 1    | G1/2             |
| 38  | Stud Bolt                | 2    | SUS304           |

※ 1) Stem O-Ring material will be FKM+PTFE in case of Oil Free.

Dimension Table

| Size         | A(B) | φd      | L   | FLANGE |      |      |       |      |      |      |     |     |      |      |     | H   | h  | φDu | W1 | W2   | Actuator Type | Fixing Insert Nut |     |
|--------------|------|---------|-----|--------|------|------|-------|------|------|------|-----|-----|------|------|-----|-----|----|-----|----|------|---------------|-------------------|-----|
|              |      |         |     | JIS10K |      |      |       | ANSI |      |      |     | DIN |      |      |     |     |    |     |    |      |               | X                 | Mxe |
|              |      |         |     | φD     | φC   | n-φh | t     | φD   | φC   | n-φh | t   | φD  | φC   | n-φh | t   |     |    |     |    |      |               |                   |     |
| □ 15 (1/2)   | 15   | 143±1.5 | 95  | 70     | 4-15 | 14   | 89.0  | 60.5 | 4-16 | 11.5 | 95  | 65  | 4-14 | 11   | 278 | 229 | 49 | 92  | 50 | EB-4 | 50            | M6x15             |     |
| □ 20 (3/4)   | 20   | 172±1.5 | 100 | 75     | 4-15 | 14   | 98.0  | 70.0 | 4-16 | 13.0 | 105 | 75  | 4-14 | 12   | 283 | 232 | 59 | 92  | 50 | EB-4 | 50            | M6x15             |     |
| □ 25 (1)     | 25   | 187±1.5 | 125 | 90     | 4-19 | 14   | 108.0 | 79.5 | 4-16 | 14.5 | 115 | 85  | 4-14 | 14   | 310 | 246 | 67 | 92  | 50 | EB-4 | 50            | M6x15             |     |
| □ 32 (1·1/4) | 32   | 190±1.5 | 135 | 100    | 4-19 | 16   | 117.5 | 89.0 | 4-16 | 16.0 | 140 | 100 | 4-18 | 15   | 321 | 252 | 81 | 98  | 60 | EB-4 | 55            | M6x15             |     |
| □ 40 (1·1/2) | 40   | 212±1.5 | 140 | 105    | 4-19 | 16   | 127.0 | 98.5 | 4-16 | 17.5 | 150 | 110 | 4-18 | 16   | 342 | 271 | 98 | 117 | 70 | EB-4 | 70            | M8x20             |     |

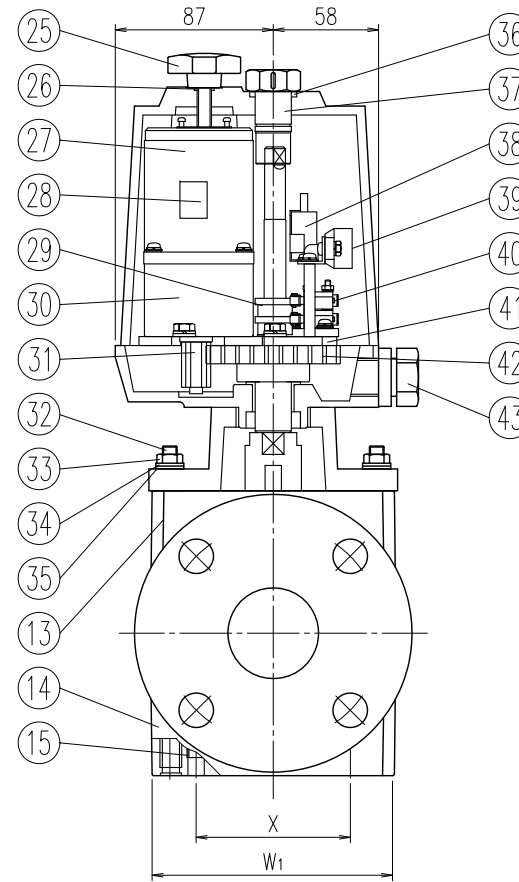
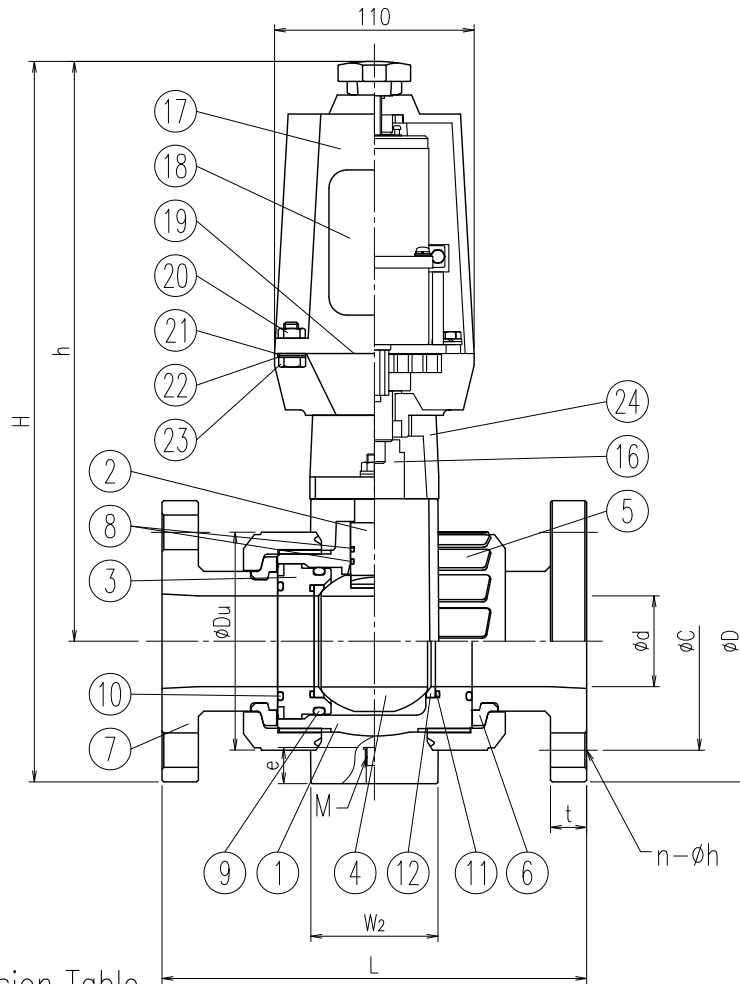
Unit: mm

Note)

1. Flange dimension is in accordance with the following standard; JIS B 2220 for JIS10K, ANSI B16.5 for ANSI and DIN2501 PN10/PN16 (ISO7005 PN10) for DIN
2. If a fixing insert bolt is used, it should not be screwed in beyond dimension e.

|   |  |              |  |
|---|--|--------------|--|
| Client name                               |  | Date         |  |
| Flange Standard                           | <input type="checkbox"/> JIS10K <input type="checkbox"/> ANSI <input type="checkbox"/> DIN | Approved by: |  |
| Voltage                                   | <input type="checkbox"/> AC100V <input type="checkbox"/> AC200V                            |              |  |
| Oil Free                                  | <input type="checkbox"/> YES   |              |  |
| ESLON Electric Ball Valve KS-Type         |  |              |  |
| Flange Type 15-40A                        |  |              |  |
| Drawing No. BVK1540FXE                    |  |              |  |
| <b>SEKISUI SEKISUI CHEMICAL CO., LTD.</b> |  |              |  |

| No. | Part Name              | Q'TY | Material/Type    | No. | Part Name   | Q'TY | Material/Type |
|-----|------------------------|------|------------------|-----|-------------|------|---------------|
| 39  | Terminal Stand         | 1    | Phenol resin     | 1   | Body        | 1    |               |
| 40  | Micro Switch           | 2    | OMRON: V-105-1A4 | 2   | Stem        | 1    | □PVC          |
| 41  | Motor Base             | 1    | AC-7             | 3   | Ball holder | 1    | □HT           |
| 42  | Gear                   | 1    | S45C             | 4   | Ball        | 1    | □CPVC         |
| 43  | Electric Conduit Gland | 1    | G1/2             | 5   | Union nut   | 2    | □PP           |
|     |                        |      |                  | 6   | Set ring    | 2    | □PVDF         |
|     |                        |      |                  | 7   | Flange      | 2    |               |



| No. | Part Name               | Q'TY | Material/Type    |
|-----|-------------------------|------|------------------|
| 8   | Stem O-ring※1)          | 1    | 15-20A<br>25-50A |
| 9   | Ball holder O-ring      | 2    | □EPDM            |
| 10  | Union O-ring            | 2    | □FKM             |
| 11  | Ball seat O-ring        | 2    |                  |
| 12  | Ball Seat               | 2    | PTFE             |
| 13  | Upper mount             | 1    | FRP              |
| 14  | Lower mount             | 1    | FRP              |
| 15  | Fixing Insert Nut       | 2    | C3601            |
| 16  | Drive Shaft             | 1    | SUS303           |
| 17  | Cover                   | 1    | AC-4+Epoxy paint |
| 18  | Name Plate              | 1    | AL-P             |
| 19  | Cover Gasket            | 1    | NR               |
| 20  | Hexagonal Bolt          | 4    | SUS304           |
| 21  | Spring Washer           | 4    | SUS304           |
| 22  | Washer                  | 4    | SUS304           |
| 23  | Hexagon Nut             | 4    | SUS304           |
| 24  | Yoke                    | 1    | AC-7+Epoxy paint |
| 25  | Manual Open-Close Screw | 1    | Epoxy paint      |
| 26  | O-Ring                  | 1    | SBR              |
| 27  | Reversible Motor        | 1    | -                |
| 28  | Thermal Protector       | 1    | -                |
| 29  | Cam                     | 2    | AC-7             |
| 30  | Gear Head               | 1    | -                |
| 31  | Gear                    | 1    | S45C             |
| 32  | Stud Bolt               | 2    | SUS304           |
| 33  | Hexagon Nut             | 2    | SUS304           |
| 34  | Spring Washer           | 2    | SUS304           |
| 35  | Washer                  | 2    | SUS304           |
| 36  | O-Ring                  | 1    | SBR              |
| 37  | Manual Open-Close shaft | 1    | SUS303           |
| 38  | Capacitor               | 1    | -                |

※1) Stem O-Ring material will be FKM+PTFE in case of Oil Free.

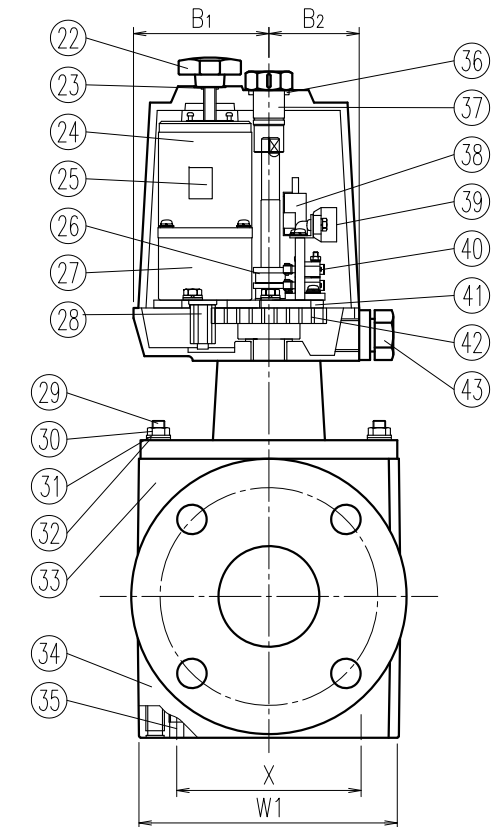
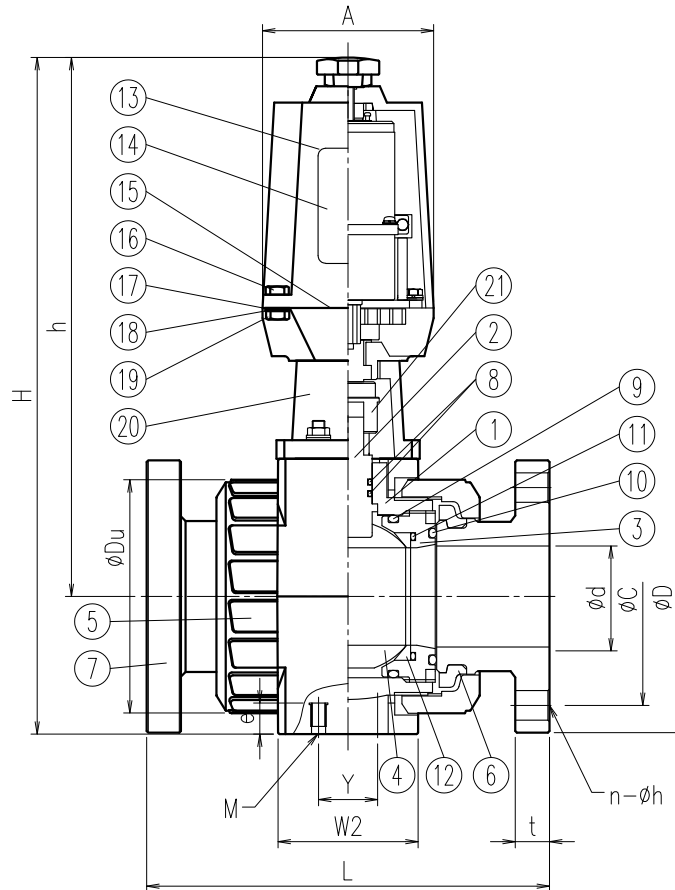
Dimension Table

| Size | A (B) | φd | L       | FLANGE |     |      |    |       |       |      |      |     |     |      |    | H   | h   | φD <sub>u</sub> | W1  | W2 | Actuator Type | Fixing Insert Nut |       |
|------|-------|----|---------|--------|-----|------|----|-------|-------|------|------|-----|-----|------|----|-----|-----|-----------------|-----|----|---------------|-------------------|-------|
|      |       |    |         | JIS10K |     |      |    | ANSI  |       |      |      | DIN |     |      |    |     |     |                 |     |    |               | X                 | Mxe   |
|      |       |    |         | φD     | φC  | n-φh | t  | φD    | φC    | n-φh | t    | φD  | φC  | n-φh | t  |     |     |                 |     |    |               |                   |       |
| □    | 50(2) | 50 | 234±1.5 | 155    | 120 | 4-19 | 20 | 152.0 | 120.5 | 4-19 | 19.5 | 165 | 125 | 4-18 | 18 | 397 | 319 | 120             | 135 | 70 | EB-06         | 85                | M8x20 |

Note) 1. Flange dimension is in accordance with the following standard;  
 JIS B 2220 for JIS10K, ANSI B16.5 for ANSI and DIN2501 PN10/PN16 (ISO7005 PN10) for DIN  
 2. If a fixing insert bolt is used, it should not be screwed in beyond dimension e.

|  |              |
|--|--------------|
| Client name                              | Date         |
| Flange Standard □JIS10K □ANSI □DIN       | Approved by: |
| Voltage □AC100V □AC200V                  |              |
| Oil Free □YES                            |              |
| ESLON Electric Ball Valve KS-Type        |              |
| Flange Type 50A                          |              |
| Drawing No. BVK50FXE                     |              |
| <b>SEKISUI SEKISUI CHEMICAL CO.,LTD.</b> |              |

| No. | Part Name              | Q'TY | Material/Type              | No. | Part Name   | Q'TY | Material/Type |
|-----|------------------------|------|----------------------------|-----|-------------|------|---------------|
| 39  | Terminal Stand         | 1    | Phenol resin               | 1   | Body        | 1    |               |
| 40  | Micro Switch           | 2    | OMRON: V-105-1A4 (65A)     | 2   | Stem        | 1    | □PVC          |
|     |                        |      | OMRON: V-156-1A5 (80,100A) | 3   | Ball holder | 2    | □HT           |
| 41  | Motor Base             | 1    | AC-7                       | 4   | Ball        | 1    | □CPVC         |
| 42  | Gear                   | 1    | S45C                       | 5   | Union nut   | 2    | □PP           |
| 43  | Electric Conduit Gland | 1    | G1/2                       | 6   | Set ring    | 2    | □PVDF         |
|     |                        |      |                            | 7   | Flange      | 2    |               |



|    |                         |   |                  |
|----|-------------------------|---|------------------|
| 8  | Stem O-ring*1)          | 2 |                  |
| 9  | Ball holder O-ring      | 2 | □EPDM            |
| 10 | Union O-ring            | 2 | □FKM             |
| 11 | Ball seat O-ring        | 2 |                  |
| 12 | Ball Seat               | 2 | PTFE             |
| 13 | Cover                   | 1 | AC-4+Epoxy paint |
| 14 | Name Plate              | 1 | AL-P             |
| 15 | Cover Gasket            | 1 | NR               |
| 16 | Hexagonal Bolt          | 4 | SUS304           |
| 17 | Spring Washer           | 4 | SUS304           |
| 18 | Washer                  | 4 | SUS304           |
| 19 | Hexagon Nut             | 4 | SUS304           |
| 20 | Yoke                    | 1 | AC-7+Epoxy paint |
| 21 | Drive Shaft             | 1 | SUS303           |
| 22 | Manual Open-Close Screw | 1 | Epoxy paint      |
| 23 | O-Ring                  | 1 | SBR              |
| 24 | Reversible Motor        | 1 | -                |
| 25 | Thermal Protector       | 1 | -                |
| 26 | Cam                     | 2 | AC-7             |
| 27 | Gear Head               | 1 | -                |
| 28 | Gear                    | 1 | S45C             |
| 29 | Stud Bolt               | - | SUS304           |
| 30 | Hexagon Nut             | - | SUS304           |
| 31 | Spring Washer           | - | SUS304           |
| 32 | Washer                  | - | SUS304           |
| 33 | Upper mount             | 1 | FRP              |
| 34 | Lower mount             | 1 | FRP              |
| 35 | Fixing Insert Nut       | - | C3601            |
| 36 | O-Ring                  | 1 | SBR              |
| 37 | Manual Open-Close shaft | 1 | SUS303           |
| 38 | Capacitor               | 1 | -                |

\*1) Stem O-Ring material will be FKM+PTFE in case of Oil Free.

Dimension Table

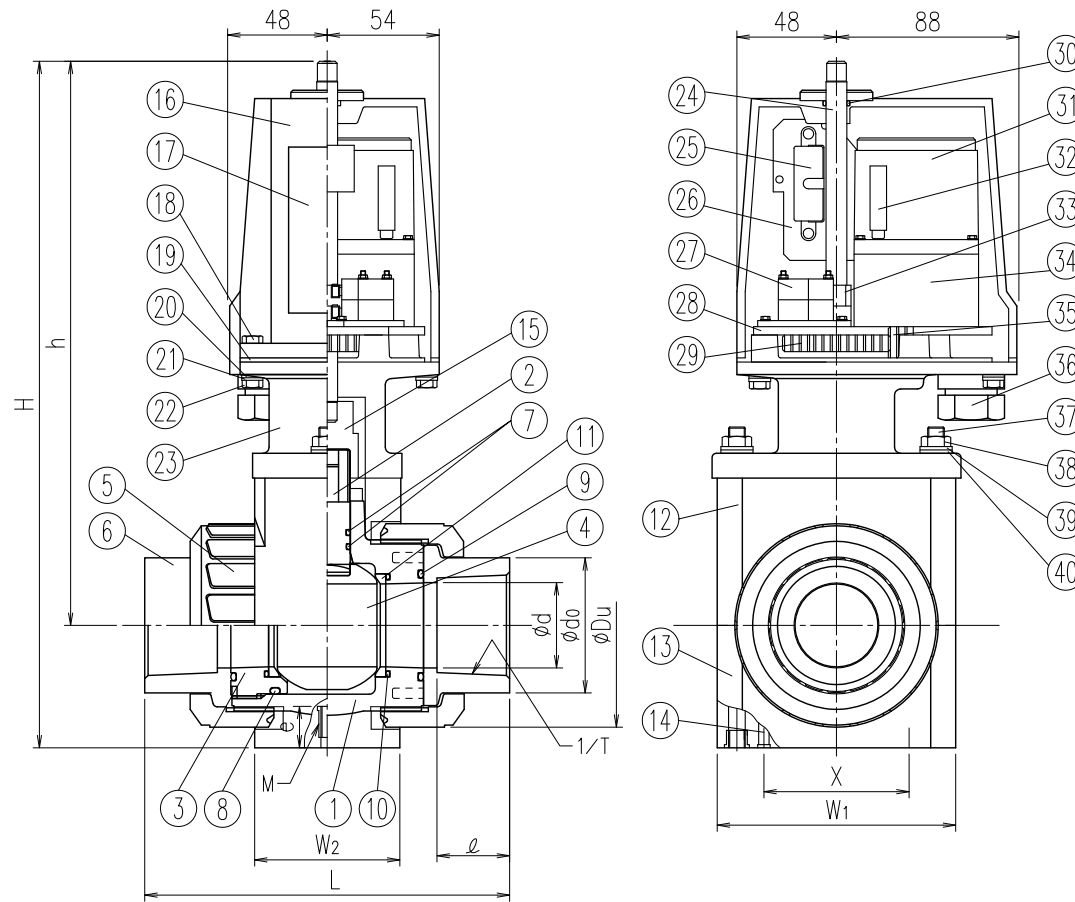
Unit: mm

| Size         | A (B) | φd      | L       |         | Flange |      |      |     |       |      |      |     |     |      |      |     | H   | h   | φDu | A  | B1 | B2  | W1  | W2    | Actuator Type | Fixing Insert Nut |       |     |
|--------------|-------|---------|---------|---------|--------|------|------|-----|-------|------|------|-----|-----|------|------|-----|-----|-----|-----|----|----|-----|-----|-------|---------------|-------------------|-------|-----|
|              |       |         |         |         | JIS10K |      |      |     | ANSI  |      |      |     | DIN |      |      |     |     |     |     |    |    |     |     |       |               | X                 | Y     | Mxe |
|              |       |         | PVC,HT  | PP,PVDF | φD     | φC   | n-φh | t   | φD    | φC   | n-φh | t   | φD  | φC   | n-φh | t   |     |     |     |    |    |     |     |       |               |                   |       |     |
| □ 65 (2 1/2) | 65    | 259±1.5 | 257±1.5 | 175     | 140    | 4-19 | 22   | 178 | 139.7 | 4-20 | 22.5 | 185 | 145 | 4-18 | 22   | 435 | 346 | 150 | 83  | 87 | 58 | 163 | 90  | EB-6  | 115           | 38                | M8x20 |     |
| □ 80 (3)     | 80    | 304±1.5 | 301±1.5 | 185     | 150    | 8-19 | 22   | 191 | 152.4 | 4-20 | 24.0 | 200 | 160 | 8-18 | 23   | 533 | 423 | 186 | 98  | 92 | 88 | 198 | 110 | EB-25 | 140           | 48                | M8x20 |     |
| □ 100 (4)    | 100   | 372±1.5 | 367±1.5 | 210     | 175    | 8-19 | 24   | 229 | 190.5 | 8-20 | 24.0 | 220 | 180 | 8-18 | 23   | 608 | 468 | 228 | 98  | 92 | 88 | 240 | 110 | EB-25 | 180           | 59                | M8x20 |     |

Note) 1. Flange dimension is in accordance with the following standard; JIS B 2220 for JIS10K, ANSI B16.5 for ANSI and DIN EN 1092-1 PN10 for DIN  
2. If a fixing insert bolt is used, it should not be screwed in beyond dimension e.

|  |                    |              |  |
|--|--------------------|--------------|--|
| Client name                              |                    | Date         |  |
| Flange Standard                          | □JIS10K □ANSI □DIN | Approved by: |  |
| Voltage                                  | □AC100V □AC200V    |              |  |
| Oil Free                                 | □YES               |              |  |
| ESLON Electric Ball Valve KS-Type        |                    |              |  |
| Flange Type 65-100A                      |                    |              |  |
| Drawing No. BVK651HFXE                   |                    |              |  |
| <b>SEKISUI SEKISUI CHEMICAL CO.,LTD.</b> |                    |              |  |

| No. | Part Name     | Q'TY | Material/Type | No. | Part Name   | Q'TY | Material/Type |
|-----|---------------|------|---------------|-----|-------------|------|---------------|
| 39  | Hexagon Nut   | 2    | SUS304        | 1   | Body        | 1    |               |
| 40  | Spring Washer | 2    | SUS304        | 2   | Stem        | 1    | □PVC          |
| 41  | Washer        | 2    | SUS304        | 3   | Ball holder | 1    | □HT           |
|     |               |      |               | 4   | Ball        | 1    | □CPVC         |



|    |                          |                  |        |    |                          |                  |        |                  |
|----|--------------------------|------------------|--------|----|--------------------------|------------------|--------|------------------|
| 5  | Union nut                | 2                |        | 7  | Stem O-ring※ 1)          | 15-20A<br>25-50A | 1<br>2 | □EPDM<br>□FKM    |
| 6  | TS Socket                | 2                |        | 8  | Ball holder O-ring       |                  | 1      | □EPDM            |
| 7  | Stem O-ring※ 1)          | 15-20A<br>25-50A | 1<br>2 | 9  | Union O-ring             |                  | 2      | □FKM             |
| 8  | Ball holder O-ring       |                  | 1      | 10 | Ball seat O-ring         |                  | 2      |                  |
| 9  | Union O-ring             |                  | 2      | 11 | Ball Seat                |                  | 2      | PTFE             |
| 10 | Ball seat O-ring         |                  | 2      | 12 | Upper mount              |                  | 1      | FRP              |
| 11 | Ball Seat                |                  | 2      | 13 | Lower mount              |                  | 1      | FRP              |
| 12 | Upper mount              |                  | 1      | 14 | Fixing Insert Nut        |                  | 2      | C3601            |
| 13 | Lower mount              |                  | 1      | 15 | Drive Shaft              |                  | 1      | SUS303           |
| 14 | Fixing Insert Nut        |                  | 2      | 16 | Cover                    |                  | 1      | AC-4+Epoxy paint |
| 15 | Drive Shaft              |                  | 1      | 17 | Name Plate               |                  | 1      | AL-P             |
| 16 | Cover                    |                  | 1      | 18 | Hexagonal Bolt           |                  | 4      | SUS304           |
| 17 | Name Plate               |                  | 1      | 19 | Cover Gasket             |                  | 1      | NR               |
| 18 | Hexagonal Bolt           |                  | 4      | 20 | Spring Washer            |                  | 4      | SUS304           |
| 19 | Cover Gasket             |                  | 1      | 21 | Washer                   |                  | 4      | SUS304           |
| 20 | Spring Washer            |                  | 4      | 22 | Hexagon Nut              |                  | 4      | SUS304           |
| 21 | Washer                   |                  | 4      | 23 | Yoke                     |                  | 1      | AC-7+Epoxy paint |
| 22 | Hexagon Nut              |                  | 4      | 24 | Manual Open-Close Handle |                  | 1      | SUS303           |
| 23 | Yoke                     |                  | 1      | 25 | Capacitor                |                  | 1      | -                |
| 24 | Manual Open-Close Handle |                  | 1      | 26 | Terminal Stand           |                  | 1      | Phenol resin     |
| 25 | Capacitor                |                  | 1      | 27 | Micro Switch             |                  | 2      | OMRON: V-105-1A4 |
| 26 | Terminal Stand           |                  | 1      | 28 | Motor Base               |                  | 1      | AC-7             |
| 27 | Micro Switch             |                  | 2      | 29 | Gear                     |                  | 1      | S45C             |
| 28 | Motor Base               |                  | 1      | 30 | O-Ring                   |                  | 1      | SBR              |
| 29 | Gear                     |                  | 1      | 31 | Reversible Motor         |                  | 1      | -                |
| 30 | O-Ring                   |                  | 1      | 32 | Thermal Protector        |                  | 1      | -                |
| 31 | Reversible Motor         |                  | 1      | 33 | Cam                      |                  | 2      | SS400            |
| 32 | Thermal Protector        |                  | 1      | 34 | Gear Head                |                  | 1      | -                |
| 33 | Cam                      |                  | 2      | 35 | Gear                     |                  | 1      | S45C             |
| 34 | Gear Head                |                  | 1      | 36 | Electric Conduit Gland   |                  | 1      | G1/2             |
| 35 | Gear                     |                  | 1      | 37 | Stud Bolt                |                  | 2      | SUS304           |
| 36 | Electric Conduit Gland   |                  | 1      |    |                          |                  |        |                  |
| 37 | Stud Bolt                |                  | 2      |    |                          |                  |        |                  |

※ 1) Stem O-Ring material will be FKM+PTFE in case of Oil Free.

Dimension Table

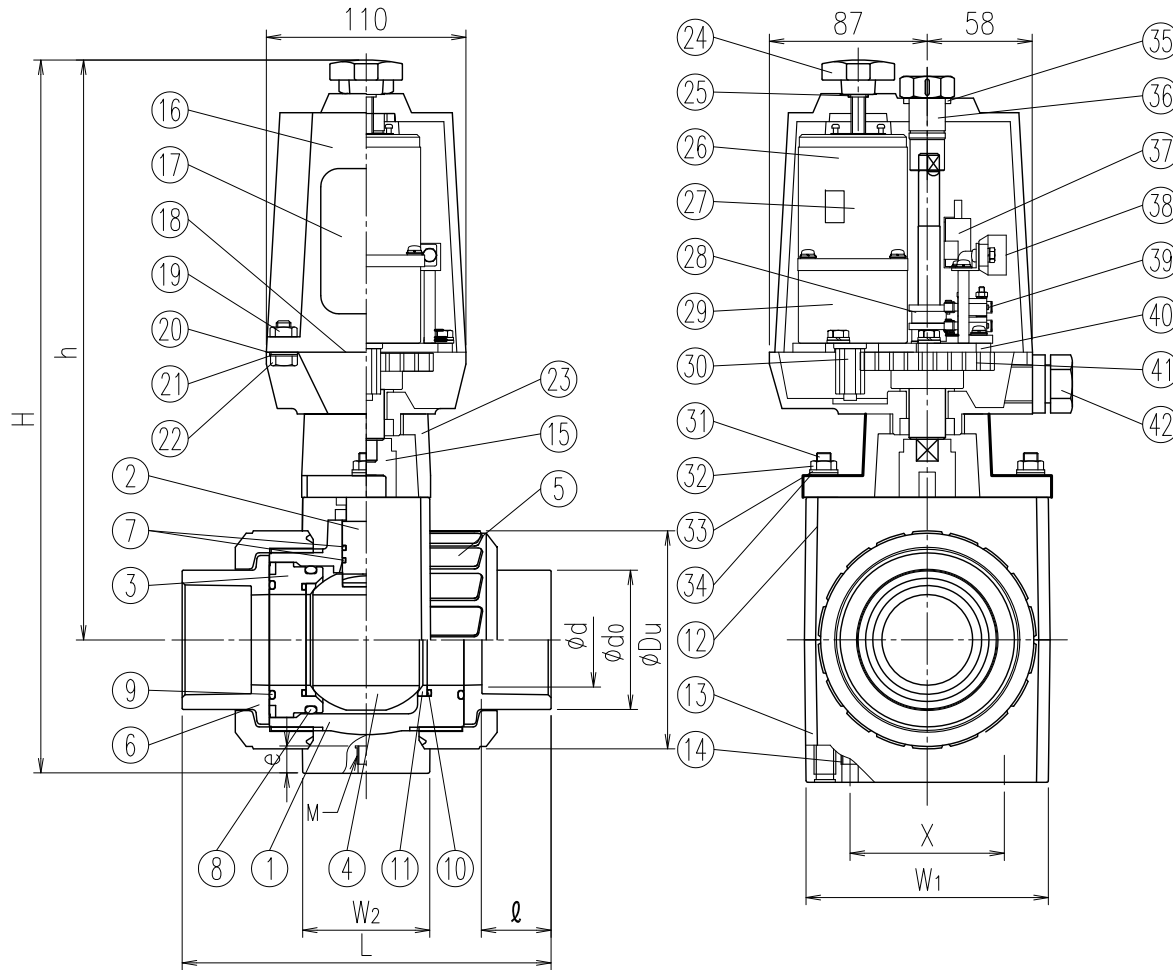
Unit: mm

| SIZE         | A (B) | ød      | L       |         |      | SOCKET |     |       |      |     |      |       |     |    | Actuator Type | Fixing Insert Nut |    |     |     |      |    |       |
|--------------|-------|---------|---------|---------|------|--------|-----|-------|------|-----|------|-------|-----|----|---------------|-------------------|----|-----|-----|------|----|-------|
|              |       |         |         |         |      | JIS    |     |       | ASTM |     |      | DIN   |     |    |               | ødo               | H  | h   | øDu | W1   | W2 | X     |
|              |       |         | JIS     | ASTM    | DIN  | ød1    | 1/T | ℓ     | ød1  | 1/T | ℓ    | ød1   | 1/T | ℓ  |               |                   |    |     |     |      |    |       |
| □ 15 (1/2)   | 15    | 109±3.0 | 103±3.0 | 92±3.0  | 22.3 | 1/37   | 22  | 21.54 | 1/72 | 22  | 20.3 | 1/65  | 16  | 33 | 278           | 249               | 49 | 92  | 50  | EB-4 | 50 | M6x15 |
| □ 20 (3/4)   | 20    | 132±3.0 | 119±3.0 | 107±3.0 | 26.3 | 1/42   | 25  | 26.87 | 1/85 | 25  | 25.3 | 1/80  | 19  | 35 | 286           | 252               | 59 | 92  | 50  | EB-4 | 50 | M6x15 |
| □ 25 (1)     | 25    | 143±3.0 | 133±3.0 | 121±3.0 | 32.3 | 1/43   | 29  | 33.65 | 1/75 | 29  | 32.3 | 1/95  | 22  | 44 | 305           | 266               | 67 | 92  | 50  | EB-4 | 50 | M6x15 |
| □ 32 (1·1/4) | 32    | 166±3.0 | 147±3.0 | 137±3.0 | 38.4 | 1/37   | 32  | 42.42 | 1/84 | 32  | 40.3 | 1/115 | 26  | 54 | 320           | 272               | 81 | 98  | 60  | EB-4 | 55 | M6x15 |
| □ 40 (1·1/2) | 40    | 175±3.0 | 171±3.0 | 161±3.0 | 48.5 | 1/38   | 35  | 48.56 | 1/78 | 35  | 50.3 | 1/140 | 31  | 66 | 350           | 291               | 98 | 117 | 70  | EB-4 | 70 | M8x20 |

Note) 1. Socket dimension is in accordance with the following standard;ASTM D2467 for ASTM and DIN2501 PN10/PN16 (ISO7005 PN10) for DIN  
2. If a fixing insert bolt is used, it should not be screwed in beyond dimension e.

|   |   |              |  |
|---|---|--------------|--|
| Client name   |   | Date         |  |
| Flange Standard   | <input type="checkbox"/> JIS <input type="checkbox"/> ASTM <input type="checkbox"/> DIN | Approved by: |  |
| Voltage   | <input type="checkbox"/> AC100V <input type="checkbox"/> AC200V                         |              |  |
| Oil Free  | <input type="checkbox"/> YES  |              |  |
| ESLON Electric Ball Valve KS-Type<br>TS Socket Type/ 15-40A |   |              |  |
| Drawing No. BVK1540SXE                                      |   |              |  |
| <b>SEKISUI SEKISUI CHEMICAL CO.,LTD.</b>                    |   |              |  |

| No. | Part Name              | Q'TY | Material/Type    | No. | Part Name   | Q'TY | Material/Type |
|-----|------------------------|------|------------------|-----|-------------|------|---------------|
| 38  | Terminal Stand         | 1    | Phenol resin     | 1   | Body        | 1    |               |
| 39  | Micro Switch           | 2    | OMRON: V-105-1A4 | 2   | Stem        | 1    | □PVC          |
| 40  | Motor Base             | 1    | AC-7             | 3   | Ball holder | 1    | □HT           |
| 41  | Gear                   | 1    | S45C             | 4   | Ball        | 1    | □CPVC         |
| 42  | Electric Conduit Gland | 1    | G1/2             | 5   | Union nut   | 2    |               |



|    |                         |                  |                  |
|----|-------------------------|------------------|------------------|
| 6  | TS Socket               | 2                |                  |
| 7  | Stem O-ring※ 1)         | 15-20A<br>25-50A | 1<br>2           |
| 8  | Ball holder O-ring      |                  | □EPDM            |
| 9  | Union O-ring            |                  | □FKM             |
| 10 | Ball seat O-ring        |                  |                  |
| 11 | Ball Seat               | 2                | PTFE             |
| 12 | Upper mount             | 1                | FRP              |
| 13 | Lower mount             | 1                | FRP              |
| 14 | Fixing Insert Nut       | 2                | C3601            |
| 15 | Drive Shaft             | 1                | SUS303           |
| 16 | Cover                   | 1                | AC-4+Epoxy paint |
| 17 | Name Plate              | 1                | AL-P             |
| 18 | Cover Gasket            | 1                | NR               |
| 19 | Hexagonal Bolt          | 4                | SUS304           |
| 20 | Spring Washer           | 4                | SUS304           |
| 21 | Washer                  | 4                | SUS304           |
| 22 | Hexagon Nut             | 4                | SUS304           |
| 23 | Yoke                    | 1                | AC-7+Epoxy paint |
| 24 | Manual Open-Close Screw | 1                | Epoxy paint      |
| 25 | O-Ring                  | 1                | SBR              |
| 26 | Reversible Motor        | 1                | -                |
| 27 | Thermal Protector       | 1                | -                |
| 28 | Cam                     | 2                | AC-7             |
| 29 | Gear Head               | 1                | -                |
| 30 | Gear                    | 1                | S45C             |
| 31 | Stud Bolt               | 2                | SUS304           |
| 32 | Hexagon Nut             | 2                | SUS304           |
| 33 | Spring Washer           | 2                | SUS304           |
| 34 | Washer                  | 2                | SUS304           |
| 35 | O-Ring                  | 1                | SBR              |
| 36 | Manual Open-Close shaft | 1                | SUS303           |
| 37 | Capacitor               | 1                | -                |

※ 1) Stem O-Ring material will be FKM+PTFE in case of Oil Free.

Dimension Table

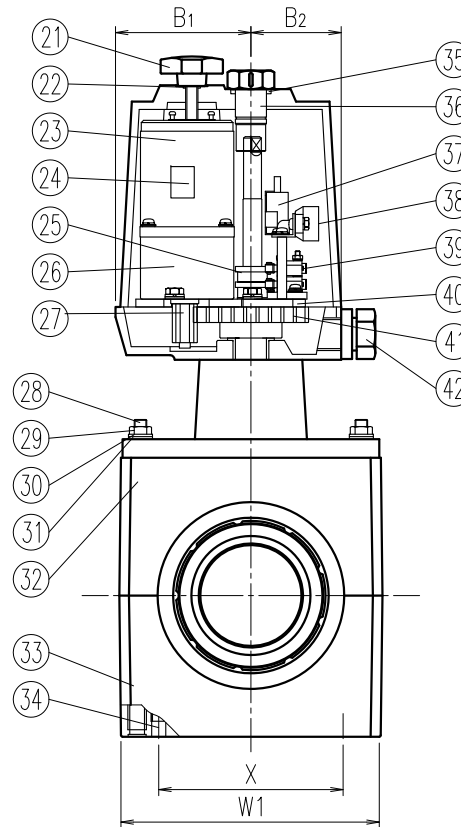
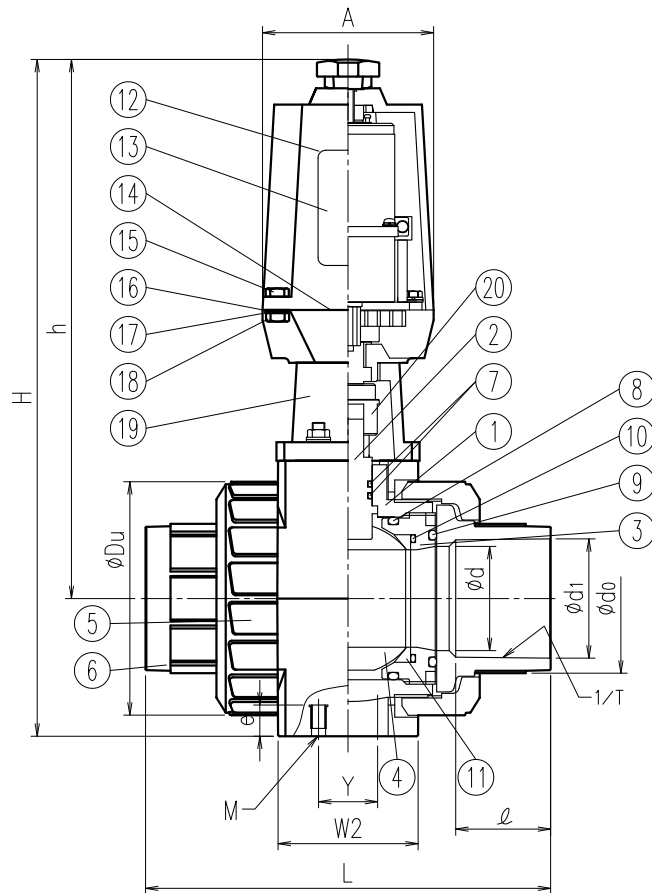
| SIZE | A(B)  | φd | SOCKET  |         |         |      |      |    |       |      |    |      |       |    | φdo | H   | h   | φDu | W1  | W2 | Actuator Type | Fixing Insert Nut |       |
|------|-------|----|---------|---------|---------|------|------|----|-------|------|----|------|-------|----|-----|-----|-----|-----|-----|----|---------------|-------------------|-------|
|      |       |    | L       |         |         | JIS  |      |    | ASTM  |      |    | DIN  |       |    |     |     |     |     |     |    |               | X                 | Mxe   |
|      |       |    | JIS     | ASTM    | DIN     | φd1  | 1/T  | ℓ  | φd1   | 1/T  | ℓ  | φd1  | 1/T   | ℓ  |     |     |     |     |     |    |               |                   |       |
| □    | 50(2) | 50 | 203±3.0 | 188±3.0 | 189±3.0 | 60.7 | 1/34 | 38 | 60.63 | 1/83 | 38 | 63.3 | 1/175 | 38 | 77  | 402 | 323 | 120 | 135 | 70 | EB-6          | 85                | M8x20 |

Unit: mm

Note) 1. Socket dimension is in accordance with the following standard;ASTM D2467 for ASTM and DIN2501 PN10/PN16 (ISO7005 PN10) for DIN  
2. If a fixing insert bolt is used, it should not be screwed in beyond dimension e.

|   |                 |              |
|---|-----------------|--------------|
| Client name   |                 | Date         |
| Flange Standard   | □JIS □ASTM □DIN | Approved by: |
| Voltage   | □AC100V □AC200V |              |
| Oil Free  | □YES            |              |
| ESLON Electric Ball Valve KS-Type<br>TS Socket Type 50A |                 |              |
| Drawing No. BVK50SXE                                    |                 |              |
| <b>SEKISUI SEKISUI CHEMICAL CO.,LTD.</b>                |                 |              |

| No. | Part Name              | Q'TY | Material/Type              | No. | Part Name       | Q'TY | Material/Type |
|-----|------------------------|------|----------------------------|-----|-----------------|------|---------------|
| 39  | Terminal Stand         | 1    | Phenol resin               | 1   | Body            | 1    |               |
| 40  | Micro Switch           | 2    | OMRON: V-105-1A4 (65A)     | 2   | Stem            | 1    | □PVC          |
|     |                        |      | OMRON: V-156-1A5 (80,100A) | 3   | Ball holder     | 2    | □HT           |
| 41  | Motor Base             | 1    | AC-7                       | 4   | Ball            | 1    | □CPVC         |
| 42  | Gear                   | 1    | S45C                       | 5   | Union nut       | 2    |               |
| 43  | Electric Conduit Gland | 1    | G1/2                       | 6   | TS Socket       | 2    |               |
|     |                        |      |                            | 7   | Stem O-ring* 1) | 2    |               |



|    |                         |   |                  |
|----|-------------------------|---|------------------|
| 8  | Ball holder O-ring      | 2 | □EPDM            |
| 9  | Union O-ring            | 2 | □FKM             |
| 10 | Ball seat O-ring        | 2 |                  |
| 11 | Ball Seat               | 2 | PTFE             |
| 12 | Cover                   | 1 | AC-4+Epoxy paint |
| 13 | Name Plate              | 1 | AL-P             |
| 14 | Cover Gasket            | 1 | NR               |
| 15 | Hexagonal Bolt          | 4 | SUS304           |
| 16 | Spring Washer           | 4 | SUS304           |
| 17 | Washer                  | 4 | SUS304           |
| 18 | Hexagon Nut             | 4 | SUS304           |
| 19 | Yoke                    | 1 | AC-7+Epoxy paint |
| 20 | Drive Shaft             | 1 | SUS303           |
| 21 | Manual Open-Close Screw | 1 | Epoxy paint      |
| 22 | O-Ring                  | 1 | SBR              |
| 23 | Reversible Motor        | 1 | -                |
| 24 | Thermal Protector       | 1 | -                |
| 25 | Cam                     | 2 | AC-7             |
| 26 | Gear Head               | 1 | -                |
| 27 | Gear                    | 1 | S45C             |
| 28 | Stud Bolt               | - | SUS304           |
| 29 | Hexagon Nut             | - | SUS304           |
| 30 | Spring Washer           | - | SUS304           |
| 31 | Washer                  | - | SUS304           |
| 32 | Upper mount             | 1 | FRP              |
| 33 | Lower mount             | 1 | FRP              |
| 34 | Fixing Insert Nut       | - | C3601            |
| 35 | O-Ring                  | 1 | SBR              |
| 36 | Manual Open-Close shaft | 1 | SUS303           |
| 37 | Capacitor               | 1 | -                |

\* 1) Stem O-Ring material will be FKM+PTFE in case of Oil Free.

Dimension Table

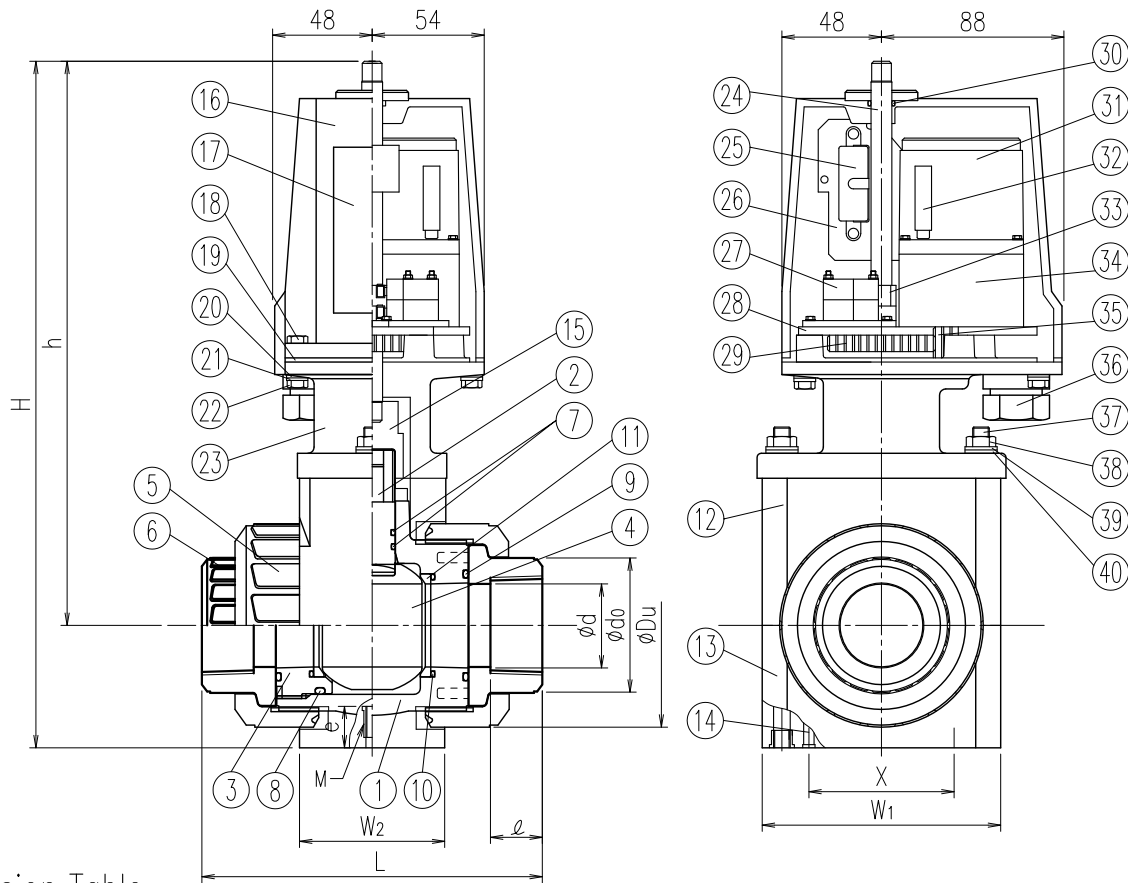
Unit: mm

| Size         | A (B) | $\phi d$ | L       |         |       | TS Socket  |     |        |            |       |        |            |     |        | $\phi d_o$ | H   | h   | $\phi d_u$ | A  | B1 | B2  | W1  | W2    | Actuator Type | Fixing Insert Nut |       |     |
|--------------|-------|----------|---------|---------|-------|------------|-----|--------|------------|-------|--------|------------|-----|--------|------------|-----|-----|------------|----|----|-----|-----|-------|---------------|-------------------|-------|-----|
|              |       |          |         |         |       | JIS        |     |        | ASTM       |       |        | DIN        |     |        |            |     |     |            |    |    |     |     |       |               | X                 | Y     | Mxe |
|              |       |          | JIS     | ASTM    | DIN   | $\phi d_1$ | 1/T | $\ell$ | $\phi d_1$ | 1/T   | $\ell$ | $\phi d_1$ | 1/T | $\ell$ |            |     |     |            |    |    |     |     |       |               |                   |       |     |
| □ 65 (2 1/2) | 65    | 259±3.0  | 211±3.0 | 211±3.0 | 76.6  | 1/48       | 61  | 73.38  | 1/84       | 44.45 | 75.3   | 1/220      | 44  | 96     | 435        | 346 | 150 | 110        | 87 | 58 | 163 | 90  | EB-6  | 115           | 38                | M6x10 |     |
| □ 80 (3)     | 80    | 311±3.0  | 262±3.0 | 263±3.0 | 89.6  | 1/49       | 64  | 89.31  | 1/78       | 47.63 | 90.3   | 1/255      | 51  | 113    | 533        | 423 | 186 | 130        | 92 | 88 | 198 | 110 | EB-25 | 140           | 48                | M8x10 |     |
| □ 100 (4)    | 100   | 390±3.0  | 315±3.0 | 315±3.0 | 114.7 | 1/56       | 84  | 114.76 | 1/87       | 57.15 | 110.4  | 1/203      | 61  | 144    | 608        | 468 | 228 | 130        | 92 | 88 | 240 | 110 | EB-25 | 180           | 59                | M8x10 |     |

Note) 1. Socket dimension is in accordance with the following standard;ASTM:ASTM D2467 for ASTM and DIN2501 PN10/PN16 (ISO7005 PN10) for DIN  
2. If a fixing insert bolt is used, it should not be screwed in beyond dimension e.

|   |                 |              |  |
|---|-----------------|--------------|--|
| Client name   |                 | Date         |  |
| Flange Standard   | □JIS □ASTM □DIN | Approved by: |  |
| Voltage   | □AC100V □AC200V |              |  |
| Oil Free  | □YES            |              |  |
| ESLON Electric Ball Valve KS-Type<br>TS Socket Type 65-100A |                 |              |  |
| Drawing No. BVK651HSXE                                      |                 |              |  |
| <b>SEKISUI SEKISUI CHEMICAL CO.,LTD.</b>                    |                 |              |  |

| No. | Part Name     | Q'TY | Material/Type | No. | Part Name   | Q'TY | Material/Type |
|-----|---------------|------|---------------|-----|-------------|------|---------------|
| 39  | Hexagon Nut   | 2    | SUS304        | 1   | Body        | 1    |               |
| 40  | Spring Washer | 2    | SUS304        | 2   | Stem        | 1    |               |
| 41  | Washer        | 2    | SUS304        | 3   | Ball holder | 1    | □PVC          |



|    |                          |                  |                  |
|----|--------------------------|------------------|------------------|
| 4  | Ball                     | 1                | □PVDF            |
| 5  | Union nut                | 2                |                  |
| 6  | Thread Socket            | 2                |                  |
| 7  | Stem O-ring* 1)          | 15-20A<br>25-50A | 1<br>2           |
| 8  | Ball holder O-ring       | 1                | □EPDM            |
| 9  | Union O-ring             | 2                | □FKM             |
| 10 | Ball seat O-ring         | 2                |                  |
| 11 | Ball Seat                | 2                | PTFE             |
| 12 | Upper mount              | 1                | FRP              |
| 13 | Lower mount              | 1                | FRP              |
| 14 | Fixing Insert Nut        | 2                | C3601            |
| 15 | Drive Shaft              | 1                | SUS303           |
| 16 | Cover                    | 1                | AC-4+Epoxy paint |
| 17 | Name Plate               | 1                | AL-P             |
| 18 | Hexagonal Bolt           | 4                | SUS304           |
| 19 | Cover Gasket             | 1                | NR               |
| 20 | Spring Washer            | 4                | SUS304           |
| 21 | Washer                   | 4                | SUS304           |
| 22 | Hexagon Nut              | 4                | SUS304           |
| 23 | Yoke                     | 1                | AC-7+Epoxy paint |
| 24 | Manual Open-Close Handle | 1                | SUS303           |
| 25 | Capacitor                | 1                | -                |
| 26 | Terminal Stand           | 1                | Phenol resin     |
| 27 | Micro Switch             | 2                | OMRON: V-105-1A4 |
| 28 | Motor Base               | 1                | AC-7             |
| 29 | Gear                     | 1                | S45C             |
| 30 | O-Ring                   | 1                | SBR              |
| 31 | Reversible Motor         | 1                | -                |
| 32 | Thermal Protector        | 1                | -                |
| 33 | Cam                      | 2                | SS400            |
| 34 | Gear Head                | 1                | -                |
| 35 | Gear                     | 1                | S45C             |
| 36 | Electric Conduit Gland   | 1                | G1/2             |
| 37 | Stud Bolt                | 2                | SUS304           |

Dimension Table

Unit: mm

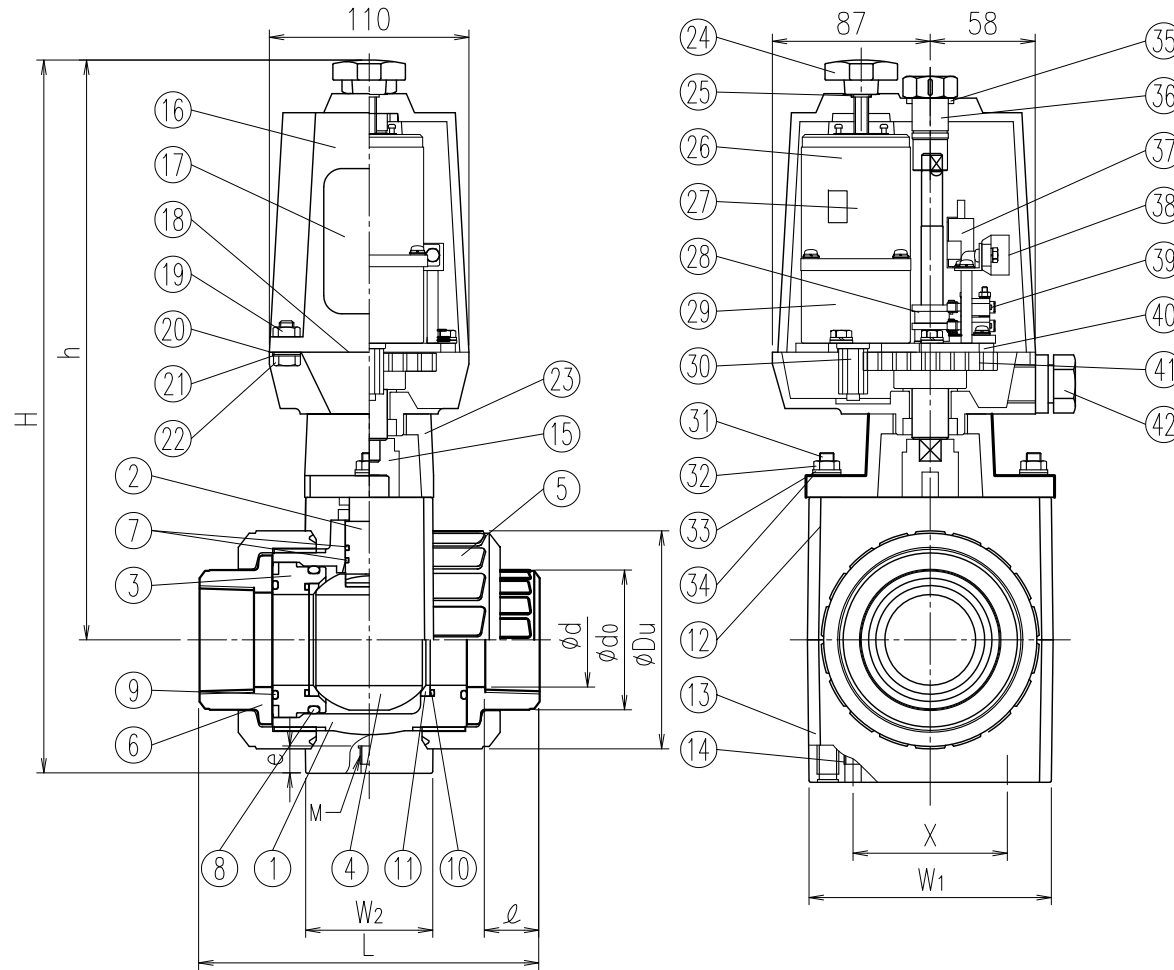
| Size         | A (B) | $\phi d$ | L       |         | Thread            |            |          | $\ell$ |      | $\phi d_0$ | H   | h   | $\phi Du$ | W1  | W2 | Actuator Type | Fixing Insert Nut |       |
|--------------|-------|----------|---------|---------|-------------------|------------|----------|--------|------|------------|-----|-----|-----------|-----|----|---------------|-------------------|-------|
|              |       |          | PVC     | PVDF    | JIS (Rc)、DIN (Rc) | ANSI (NPT) | DIN (Rp) | PVC    | PVDF |            |     |     |           |     |    |               | X                 | Mxe   |
| □ 15 (1/2)   | 15    | 15       | 97±3.0  | 99±3.0  | 1/2               | 1/2        | 1/2      | 18     | 20   | 30         | 278 | 249 | 49        | 92  | 50 | EB-4          | 50                | M6x15 |
| □ 20 (3/4)   | 20    | 20       | 117±3.0 | 116±3.0 | 3/4               | 3/4        | 3/4      | 18     | 22   | 35         | 286 | 252 | 59        | 92  | 50 | EB-4          | 50                | M6x15 |
| □ 25 (1)     | 25    | 25       | 128±3.0 | 136±3.0 | 1                 | 1          | 1        | 23     | 24   | 44         | 305 | 266 | 67        | 92  | 50 | EB-4          | 50                | M6x15 |
| □ 32 (1.1/4) | 32    | 32       | 146±3.0 | 148±3.0 | 1.1/4             | 1.1/4      | 1.1/4    | 23     | 25   | 54         | 320 | 272 | 81        | 98  | 60 | EB-4          | 55                | M6x15 |
| □ 40 (1.1/2) | 40    | 40       | 163±3.0 | 169±3.0 | 1.1/2             | 1.1/2      | 1.1/2    | 25     | 28   | 65         | 350 | 291 | 98        | 117 | 70 | EB-4          | 70                | M8x20 |

Note) 1. Thread dimension is in accordance with the following standard;  
 JIS:JIS B 0203,ANSI:ANSI B1.20.1 and DIN2501 PN10/PN16 (ISO7005 PN10) for DIN  
 2. If a fixing insert bolt is used, it should not be screwed in beyond dimension e.

\*1) Stem O-Ring material will be FKM+PTFE in case of Oil Free.

|  |  |              |
|--|--|--------------|
| Client name  |  | Date         |
| Flange Standard  | <input type="checkbox"/> Rc <input type="checkbox"/> NPT <input type="checkbox"/> Rp | Approved by: |
| Voltage  | <input type="checkbox"/> AC100V <input type="checkbox"/> AC200V                      |              |
| Oil Free   | <input type="checkbox"/> YES   |              |
| ESLON Electric Ball Valve KS-Type<br>Thread Socket Type/15-40A |  |              |
| Drawing No. BVK1540NXE   |  |              |
| <b>SEKISUI SEKISUI CHEMICAL CO.,LTD.</b>                       |  |              |

| No. | Part Name              | Q'TY | Material/Type    | No. | Part Name   | Q'TY | Material/Type |
|-----|------------------------|------|------------------|-----|-------------|------|---------------|
| 38  | Terminal Stand         | 1    | Phenol resin     | 1   | Body        | 1    |               |
| 39  | Micro Switch           | 2    | OMRON: V-105-1A4 | 2   | Stem        | 1    |               |
| 40  | Motor Base             | 1    | AC-7             | 3   | Ball holder | 1    | □PVC          |
| 41  | Gear                   | 1    | S45C             | 4   | Ball        | 1    | □PVDF         |
| 42  | Electric Conduit Gland | 1    | G1/2             | 5   | Union nut   | 2    |               |



|    |                         |                  |                  |
|----|-------------------------|------------------|------------------|
| 6  | Thread Socket           | 2                |                  |
| 7  | Stem O-ring※ 1)         | 15-20A<br>25-50A | 1<br>2           |
| 8  | Ball holder O-ring      |                  | □EPDM            |
| 9  | Union O-ring            |                  | □FKM             |
| 10 | Ball seat O-ring        | 2                |                  |
| 11 | Ball Seat               | 2                | PTFE             |
| 12 | Upper mount             | 1                | FRP              |
| 13 | Lower mount             | 1                | FRP              |
| 14 | Fixing Insert Nut       | 2                | C3601            |
| 15 | Drive Shaft             | 1                | SUS303           |
| 16 | Cover                   | 1                | AC-4+Epoxy paint |
| 17 | Name Plate              | 1                | AL-P             |
| 18 | Cover Gasket            | 1                | NR               |
| 19 | Hexagonal Bolt          | 4                | SUS304           |
| 20 | Spring Washer           | 4                | SUS304           |
| 21 | Washer                  | 4                | SUS304           |
| 22 | Hexagon Nut             | 4                | SUS304           |
| 23 | Yoke                    | 1                | AC-7+Epoxy paint |
| 24 | Manual Open-Close Screw | 1                | Epoxy paint      |
| 25 | O-Ring                  | 1                | SBR              |
| 26 | Reversible Motor        | 1                | -                |
| 27 | Thermal Protector       | 1                | -                |
| 28 | Cam                     | 2                | AC-7             |
| 29 | Gear Head               | 1                | -                |
| 30 | Gear                    | 1                | S45C             |
| 31 | Stud Bolt               | 2                | SUS304           |
| 32 | Hexagon Nut             | 2                | SUS304           |
| 33 | Spring Washer           | 2                | SUS304           |
| 34 | Washer                  | 2                | SUS304           |
| 35 | O-Ring                  | 1                | SBR              |
| 36 | Manual Open-Close shaft | 1                | SUS303           |
| 37 | Capacitor               | 1                | -                |

※ 1) Stem O-Ring material will be FKM+PTFE in case of Oil Free.

Dimension Table

Unit: mm

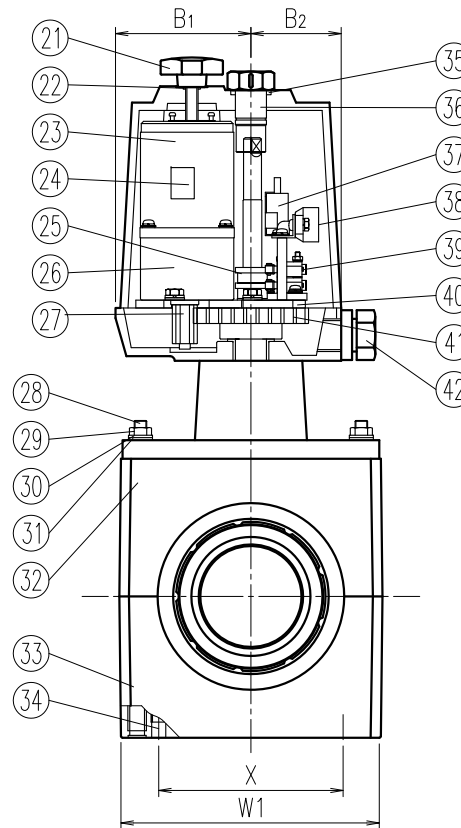
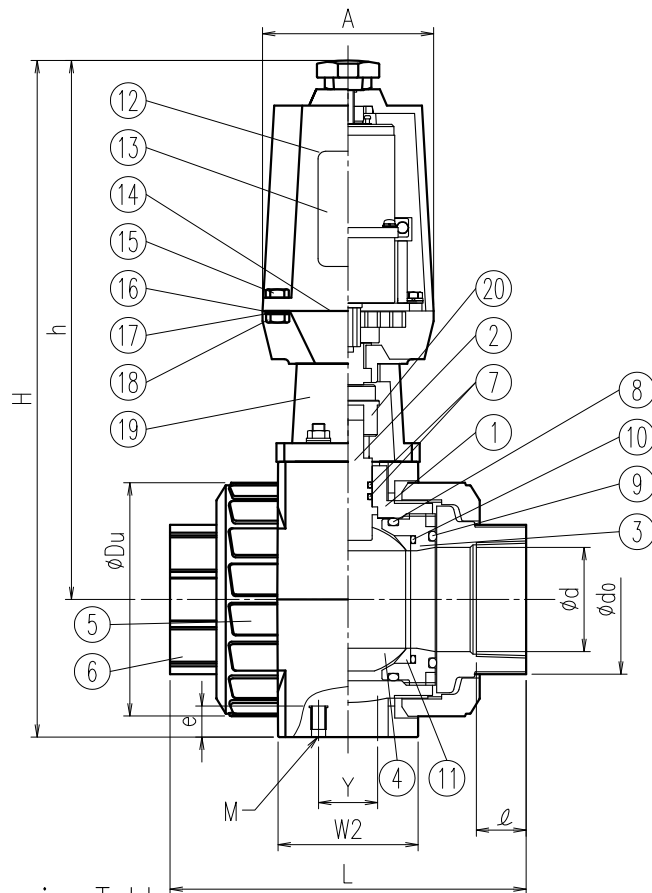
| SIZE | A (B)  | φd | L       |         | Thread                |    |              |    | φdo | H   | h   | φDu | W1  | W2 | Actuator Type | Fixing Insert Nut |       |
|------|--------|----|---------|---------|-----------------------|----|--------------|----|-----|-----|-----|-----|-----|----|---------------|-------------------|-------|
|      |        |    |         |         | JIS ( Rc )、DIN ( Rc ) |    | ANSI ( NPT ) |    |     |     |     |     |     |    |               | DIN ( Rp )        |       |
|      |        |    | PVC     | PVDF    | Rc                    | ℓ  | NPT          | ℓ  |     |     |     |     |     |    |               | Rp                | ℓ     |
| □    | 50 (2) | 50 | 188±3.0 | 196±3.0 | 2                     | 30 | 2            | 30 | 77  | 402 | 323 | 120 | 135 | 70 | EB-6          | 85                | M8x20 |

Note) 1. Thread dimension is in accordance with the following standard; JIS: JIS B 0203, ANSI: ANSI B1.20.1 and DIN2501 PN10/ PN16 (ISO7005 PN10) for DIN  
2. If a fixing insert bolt is used, it should not be screwed in beyond dimension e.

|   |                 |              |
|---|-----------------|--------------|
| Client name   |                 | Date         |
| Flange Standard   | □Rc □NPT □Rp    | Approved by: |
| Voltage   | □AC100V □AC200V |              |
| Oil Free  | □YES            |              |
| ESLON Electric Ball Valve KS-Type<br>Thread Socket Type 50A |                 |              |
| Drawing No. BVK50NXE  |                 |              |
| <b>SEKISUI SEKISUI CHEMICAL CO., LTD.</b>                   |                 |              |



| No. | Part Name              | Q'TY | Material/Type              | No. | Part Name      | Q'TY | Material/Type |
|-----|------------------------|------|----------------------------|-----|----------------|------|---------------|
| 39  | Terminal Stand         | 1    | Phenol resin               | 1   | Body           | 1    |               |
| 40  | Micro Switch           | 2    | OMRON: V-105-1A4 (65A)     | 2   | Stem           | 1    |               |
|     |                        |      | OMRON: V-156-1A5 (80,100A) | 3   | Ball holder    | 2    | □PVC          |
| 41  | Motor Base             | 1    | AC-7                       | 4   | Ball           | 1    | □PVDF         |
| 42  | Gear                   | 1    | S45C                       | 5   | Union nut      | 2    |               |
| 43  | Electric Conduit Gland | 1    | G1/2                       | 6   | Thread Socket  | 2    |               |
|     |                        |      |                            | 7   | Stem O-ring※1) | 2    |               |



|    |                         |   |                  |
|----|-------------------------|---|------------------|
| 8  | Ball holder O-ring      | 2 | □EPDM            |
| 9  | Union O-ring            | 2 | □FKM             |
| 10 | Ball seat O-ring        | 2 |                  |
| 11 | Ball Seat               | 2 | PTFE             |
| 12 | Cover                   | 1 | AC-4+Epoxy paint |
| 13 | Name Plate              | 1 | AL-P             |
| 14 | Cover Gasket            | 1 | NR               |
| 15 | Hexagonal Bolt          | 4 | SUS304           |
| 16 | Spring Washer           | 4 | SUS304           |
| 17 | Washer                  | 4 | SUS304           |
| 18 | Hexagon Nut             | 4 | SUS304           |
| 19 | Yoke                    | 1 | AC-7+Epoxy paint |
| 20 | Drive Shaft             | 1 | SUS303           |
| 21 | Manual Open-Close Screw | 1 | Epoxy paint      |
| 22 | O-Ring                  | 1 | SBR              |
| 23 | Reversible Motor        | 1 | -                |
| 24 | Thermal Protector       | 1 | -                |
| 25 | Cam                     | 2 | AC-7             |
| 26 | Gear Head               | 1 | -                |
| 27 | Gear                    | 1 | S45C             |
| 28 | Stud Bolt               | - | SUS304           |
| 29 | Hexagon Nut             | - | SUS304           |
| 30 | Spring Washer           | - | SUS304           |
| 31 | Washer                  | - | SUS304           |
| 32 | Upper mount             | 1 | FRP              |
| 33 | Lower mount             | 1 | FRP              |
| 34 | Fixing Insert Nut       | - | C3601            |
| 35 | O-Ring                  | 1 | SBR              |
| 36 | Manual Open-Close shaft | 1 | SUS303           |
| 37 | Capacitor               | 1 | -                |

※1) Stem O-Ring material will be FKM+PTFE in case of Oil Free.

Dimension Table

Unit: mm

| Size         | A (B) | φd    | Thread Socket       |       |            |       |          |    | φ   | φdo | H   | h   | φDu | A  | B1 | B2  | W1  | W2    | Actuator Type | Fixing Insert Nut |       |     |
|--------------|-------|-------|---------------------|-------|------------|-------|----------|----|-----|-----|-----|-----|-----|----|----|-----|-----|-------|---------------|-------------------|-------|-----|
|              |       |       | JIS (Rc) 、 DIN (Rc) |       | ANSI (NPT) |       | DIN (Rp) |    |     |     |     |     |     |    |    |     |     |       |               | X                 | Y     | Mxe |
|              |       |       | Rc                  | L     | NPT        | L     | Rp       | L  |     |     |     |     |     |    |    |     |     |       |               |                   |       |     |
| □ 65 (2 1/2) | 65    | 2 1/2 | 227±3.0             | 2 1/2 | 212±3.0    | 2 1/2 | 212±3.0  | 32 | 96  | 435 | 346 | 150 | 110 | 87 | 58 | 163 | 90  | EB-6  | 115           | 38                | M6x10 |     |
| □ 80 (3)     | 80    | 3     | 278±3.0             | 3     | 261±3.0    | 3     | 261±3.0  | 37 | 113 | 533 | 423 | 186 | 130 | 92 | 88 | 198 | 110 | EB-25 | 140           | 48                | M8x10 |     |
| □ 100 (4)    | 100   | 4     | 330±3.0             | 4     | 315±3.0    | 4     | 315±3.0  | 45 | 144 | 608 | 468 | 233 | 130 | 92 | 88 | 240 | 110 | EB-25 | 180           | 59                | M8x10 |     |

Note) 1. Thread dimension is in accordance with the following standard;  
 JIS:JIS B 0203,ANSI:ANSI B1.20.1 and DIN2501 PN10/PN16 (ISO7005 PN10) for DIN  
 2. If a fixing insert bolt is used, it should not be screwed in beyond dimension e.

|   |                 |              |
|---|-----------------|--------------|
| Client name   |                 | Date         |
| Flange Standard   | □Rc □NPT □Rp    | Approved by: |
| Voltage   | □AC100V □AC200V |              |
| Oil Free  | □YES            |              |
| ESLON Electric Ball Valve KS-Type<br>Thread Socket Type 65-100A |                 |              |
| Drawing No. BVK651HNXE  |                 |              |
| <b>SEKISUI SEKISUI CHEMICAL CO.,LTD.</b>                        |                 |              |