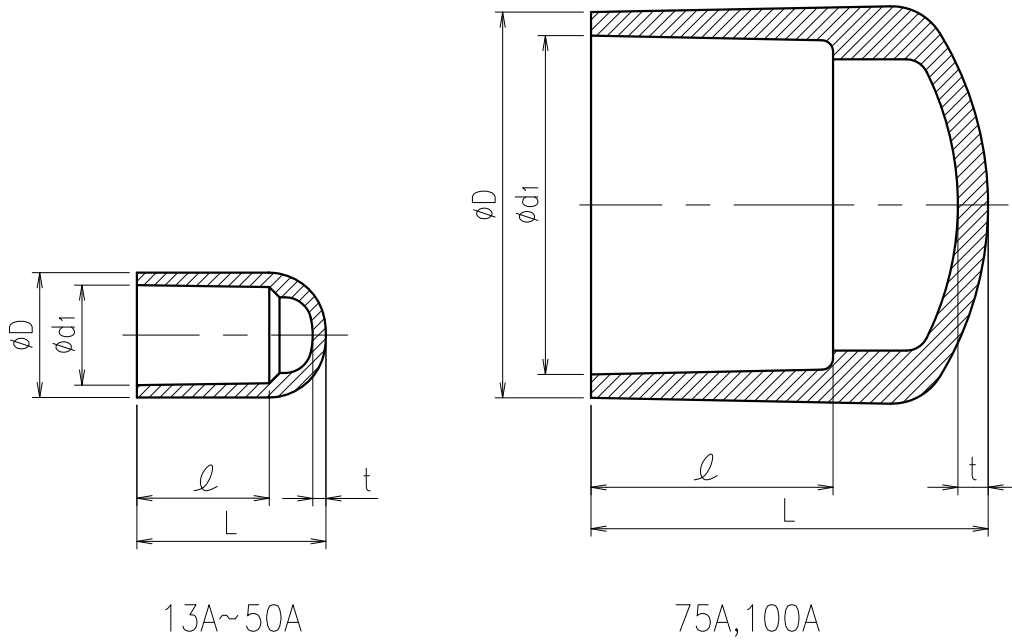


Item Clean Fittings
Cap



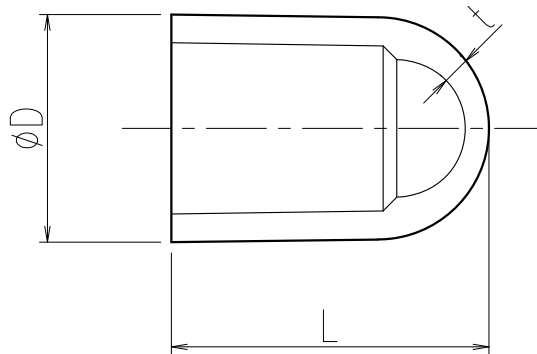
Dimension Table

Unit:mm

Designated Size	A	ϕD	$\phi d1$	$L \begin{smallmatrix} +5 \\ -0 \end{smallmatrix}$	$l \begin{smallmatrix} +4 \\ -0.5 \end{smallmatrix}$	t
□	13	24	18.40	36.5	26.0	3.0
□	16	29	22.40	43.0	30.0	3.5
□	20	33	26.45	50.0	35.0	3.5
□	25	40	32.55	58.5	40.0	4.0
□	30	46	38.60	65.5	44.0	4.0
□	40	57	48.70	82.0	55.0	4.5
□	50	70	60.80	96.5	63.0	5.0
□	75	102	89.60	105.0	64.0	8.0
□	100	130	114.70	138.0	84.0	10.0

Item	Clean Fittings Cap	DWG No.
		TCN25ATTV(E)
SEKISUI CHEMICAL CO.,LTD.	Date	Approved by:
	2006.08.21	

Item	HT Clean Fittings Cap
------	--------------------------



Dimension Table Unit:mm

Designated Size	A	ϕD	$L \pm 4$	t (Min.)
□	16	31	39.5	3.5
□	20	36	52	4.0
□	25	42	60	4.0
□	30	48	63.5	4.5
□	40	58	73.5	4.5
□	50	70	85	5.0

Item	HT Clean Fittings Cap	DWG No.
		TC25ATTT (E)
SEKISUI CHEMICAL CO.,LTD.	Date	Approved by:
	2000.03.28	