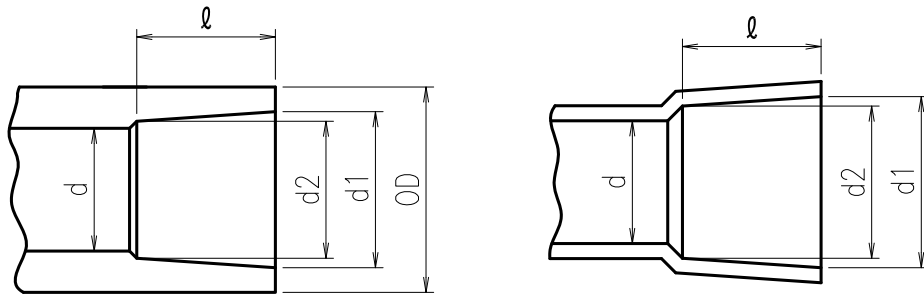


エスロンSch80継手
共通受口寸法 (TS)



寸法表

単位：mm

| サイズ | | 外径 OD | 内径 d | 受口内径 | | 受口長さ ℓ (最小値) | |
|--------|-----|----------|---------|-------------|-------------|-----------------|-------|
| inch | mm | | | d1 | d2 | | |
| 1/2" | 15 | 30 | 18 | 21.54±0.10 | 21.23±0.10 | 22.22 | |
| 3/4" | 20 | 35 | 24 | 26.87±0.10 | 26.57±0.10 | 25.40 | |
| 1" | 25 | 43 | 30 | 33.65±0.13 | 33.27±0.13 | 28.58 | |
| 1.1/4" | 32 | 53 | 37 | 42.42±0.13 | 42.04±0.13 | 31.75 | |
| 1.1/2" | 40 | 60 | 45 | 48.56±0.15 | 48.11±0.15 | 34.93 | |
| 2" | 50 | 73 | 57 | 60.63±0.15 | 60.17±0.15 | 38.10 | |
| 2.1/2" | 65 | 88 | 69 | 73.38±0.18 | 72.85±0.18 | 44.45 | |
| 3" | 80 | (PVC) | 107 | 85 | 89.31±0.20 | 88.70±0.20 | 47.63 |
| | | (CPVC) | | | 89.28±0.18 | 88.67±0.18 | |
| 4" | 100 | (PVC) | 133 | 109 | 114.76±0.23 | 114.10±0.23 | 57.15 |
| | | (CPVC) | | | 114.73±0.20 | 114.04±0.20 | |
| 5" | 125 | 162 | 132 | 141.81±0.25 | 141.00±0.25 | 66.68 | |
| 6" | 150 | 192 | 156 | 168.83±0.28 | 168.00±0.28 | 76.20 | |
| 8" | 200 | 247 | 202 | 219.84±0.38 | 218.70±0.38 | 101.60 | |
| 10" | 250 | 307 | 265 | 273.81±0.38 | 272.67±0.38 | 127.00 | |
| 12" | 300 | 363 | 315 | 324.61±0.38 | 323.47±0.38 | 152.40 | |
| 14" | 350 | 394 | 346 | 356.49±0.38 | 355.22±0.38 | 228.60 | |
| 16" | 400 | 451 | 396 | 407.54±0.38 | 405.89±0.38 | 254.00 | |
| 18" | 450 | — | 407 | 458.60±0.51 | 456.69±0.51 | 304.80 | |
| 20" | 500 | — | 453 | 509.65±0.64 | 507.49±0.64 | 304.80 | |
| 24" | 600 | — | 544 | 611.51±0.76 | 608.84±0.76 | 304.80 | |

受口寸法は次の規格に準じています。

(PVC) 1/2-12": ASTM D-2467、14-24": 社内規格

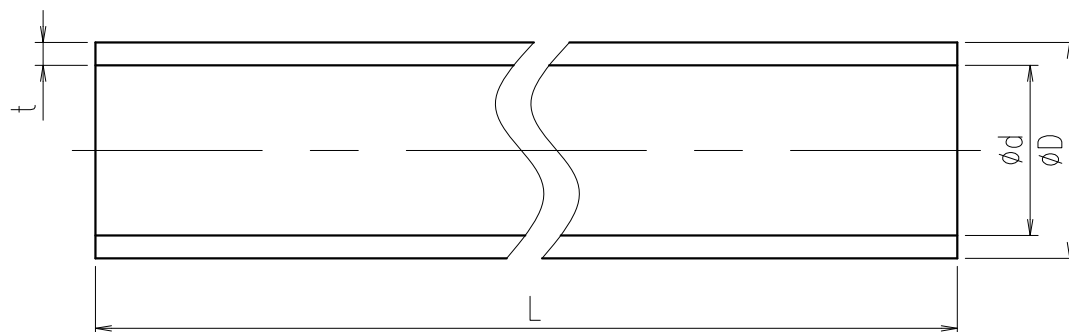
(CPVC) 1/2-12": ASTM F-439、14-24": 社内規格

材質

- PVC
 CPVC

| | | |
|------------------------------|------------|---------------------|
| エスロンSch80継手 共通受口寸法 (TS) | | 図番 2 S8SD156H |
| SEKISUI 積水化学工業株式会社 | 日付 | 承認印 |
| | 2011.10.11 | |

エスロンSch80継手
パイプ



寸法表

単位：mm

| サイズ | | 外径 D | 厚さ t | 内径 d | 長さ L | 重量 kg/m | | 重量 kg/本 | | |
|--------|-----|-------------|-------------|-----------|-------------|---------|---------|---------|---------|--------|
| inch | mm | | | | | PVC | CPVC | PVC | CPVC | |
| 1/2" | 15 | 21.34±0.10 | 3.73+0.51 | 13.4 | 6000 ±20 | 0.311 | 0.337 | 1.866 | 2.022 | |
| 3/4" | 20 | 26.67±0.10 | 3.91+0.51 | 18.3 | | 0.421 | 0.457 | 2.526 | 2.742 | |
| 1" | 25 | 33.40±0.13 | 4.55+0.53 | 23.8 | | 0.618 | 0.670 | 3.708 | 4.020 | |
| 1-1/4" | 32 | 42.16±0.13 | 4.85+0.58 | 31.9 | | 0.855 | 0.927 | 5.130 | 5.562 | |
| 1-1/2" | 40 | 48.26±0.15 | 5.08+0.61 | 37.5 | | 1.037 | 1.124 | 6.222 | 6.744 | |
| 2" | 50 | 60.32±0.15 | 5.54+0.66 | 48.6 | | 1.435 | 1.556 | 8.610 | 9.336 | |
| 2-1/2" | 65 | 73.02±0.18 | 7.01+0.84 | 58.2 | | 2.190 | 2.373 | 13.140 | 14.238 | |
| 3" | 80 | (PVC) | 88.90±0.20 | 7.62+0.91 | | 72.8 | 2.932 | — | 17.592 | — |
| | | (CPVC) | 88.90±0.18 | | | | — | 3.178 | — | 19.068 |
| 4" | 100 | (PVC) | 114.30±0.23 | 8.56+1.02 | | 96.2 | 4.288 | — | 25.728 | — |
| | | (CPVC) | 114.30±0.20 | | | | — | 4.648 | — | 27.888 |
| 5" | 125 | 141.30±0.25 | 9.53+1.14 | 121.1 | | 5.950 | 6.450 | 35.700 | 38.700 | |
| 6" | 150 | 168.28±0.28 | 10.97+1.32 | 145.0 | | 8.186 | 8.873 | 49.116 | 53.238 | |
| 8" | 200 | 219.08±0.38 | 12.70+1.52 | 192.2 | | 12.433 | 13.477 | 74.598 | 80.862 | |
| 10" | 250 | 273.05±0.38 | 15.06+1.80 | 241.1 | | 18.436 | 19.983 | 110.616 | 119.898 | |
| 12" | 300 | 323.85±0.38 | 17.45+2.08 | 286.9 | | 25.365 | 27.493 | 152.190 | 164.958 | |
| 14" | 350 | 355.60±0.38 | 19.05+2.29 | 315.2 | | 30.430 | 32.983 | 182.580 | 197.898 | |
| 16" | 400 | 406.40±0.48 | 21.41+2.57 | 361.0 | | 39.125 | 42.408 | 234.750 | 254.448 | |
| 18" | 450 | 457.20±0.48 | 23.80+2.84 | 406.8 | | 48.943 | 53.050 | 293.658 | 318.300 | |
| 20" | 500 | 508.00±0.58 | 26.19+3.15 | 452.5 | 59.596 | 64.922 | 359.376 | 389.532 | | |
| 24" | 600 | 609.60±0.79 | 30.94+3.71 | 544.0 | 84.974 | 92.105 | 509.844 | 552.630 | | |

寸法は次の規格に準じています。(PVC) ASTM D-1785、(CPVC) ASTM F-441

材質

PVC

CPVC

エスロンSch80継手
パイプ

図番

³ S8PI156H

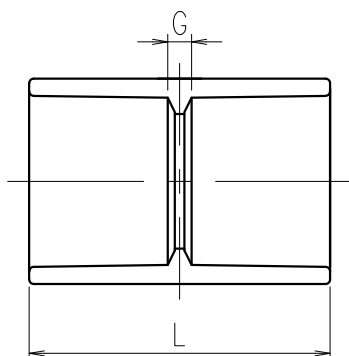
SEKISUI
積水化学工業株式会社

日付

2011.10.11

承認印

エスロンSch80継手
ソケット SxS



寸法表

単位：mm

| サイズ | | L | G | 重量 kg/個 | |
|--------|-----|-----|------|---------|--------|
| inch | mm | | | PVC | CPVC |
| 1/2" | 15 | 50 | 5.6 | 0.027 | 0.030 |
| 3/4" | 20 | 56 | 5.2 | 0.031 | 0.034 |
| 1" | 25 | 63 | 5.8 | 0.060 | 0.065 |
| 1-1/4" | 32 | 69 | 5.5 | 0.080 | 0.087 |
| 1-1/2" | 40 | 75 | 5.1 | 0.110 | 0.120 |
| 2" | 50 | 85 | 8.8 | 0.160 | 0.175 |
| 2-1/2" | 65 | 96 | 7.1 | 0.255 | 0.278 |
| 3" | 80 | 102 | 6.7 | 0.384 | 0.419 |
| 4" | 100 | 123 | 8.7 | 0.553 | 0.604 |
| 5" | 125 | 144 | 8.0 | 0.985 | 1.067 |
| 6" | 150 | 165 | 10.0 | 1.512 | 1.639 |
| 8" | 200 | 216 | 10.0 | 3.075 | 3.333 |
| 10" | 250 | 295 | 15.0 | 6.170 | 6.688 |
| 12" | 300 | 330 | 20.0 | 9.195 | 9.967 |
| 14" | 350 | 480 | 19.4 | 14.595 | 16.240 |
| 16" | 400 | 538 | 28.0 | 21.590 | 24.190 |

受口寸法は次の規格に準じています。

(PVC) 1/2-12": ASTM D-2467、14-16": 社内規格

(CPVC) 1/2-12": ASTM F-439、14-16": 社内規格

材質

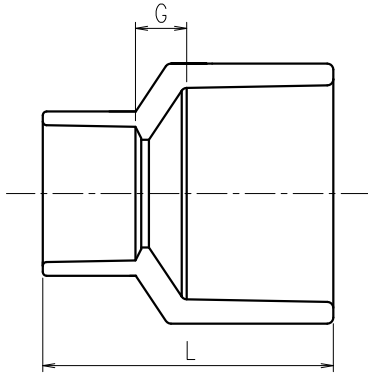
- PVC
 CPVC

| | | |
|------------------------------|------------|------------------|
| エスロンSch80継手 ソケット SxS | | 図番 5 S8CP154H |
| SEKISUI 積水化学工業株式会社 | 日付 | 承認印 |
| | 2011.10.11 | |

エスロンSch80継手
異径ソケット SxS

寸法表

単位：mm



| サイズ | | | | L | G | 重量 kg/個 | |
|--------|--------|-----|-----|-------|------|---------|--------|
| inch | mm | | | | | PVC | CPVC |
| 3/4" | 1/2" | 20 | 15 | 53.5 | 5.9 | 0.034 | 0.035 |
| 1" | 1/2" | 25 | 15 | 60.0 | 9.2 | 0.049 | 0.053 |
| 1" | 3/4" | 25 | 20 | 60.0 | 6.0 | 0.045 | 0.052 |
| 1.1/4" | 1/2" | 32 | 15 | 68.0 | 14.0 | 0.070 | 0.076 |
| 1.1/4" | 3/4" | 32 | 20 | 68.0 | 10.9 | 0.068 | 0.074 |
| 1.1/4" | 1" | 32 | 25 | 68.0 | 7.7 | 0.070 | 0.076 |
| 1.1/2" | 1/2" | 40 | 15 | 75.0 | 17.9 | 0.100 | 0.108 |
| 1.1/2" | 3/4" | 40 | 20 | 75.0 | 14.7 | 0.080 | 0.110 |
| 1.1/2" | 1" | 40 | 25 | 75.0 | 11.5 | 0.089 | 0.115 |
| 1.1/2" | 1.1/4" | 40 | 32 | 75.0 | 8.3 | 0.099 | 0.108 |
| 2" | 1/2" | 50 | 15 | 83.0 | 22.7 | 0.141 | 0.153 |
| 2" | 3/4" | 50 | 20 | 83.0 | 19.5 | 0.129 | 0.140 |
| 2" | 1" | 50 | 25 | 83.0 | 16.3 | 0.124 | 0.135 |
| 2" | 1.1/4" | 50 | 32 | 83.0 | 13.2 | 0.134 | 0.146 |
| 2" | 1.1/2" | 50 | 40 | 83.0 | 10.0 | 0.142 | 0.180 |
| 2.1/2" | 1.1/2" | 65 | 40 | 93.0 | 13.6 | 0.205 | 0.224 |
| 2.1/2" | 2" | 65 | 50 | 93.0 | 10.5 | 0.222 | 0.242 |
| 3" | 1" | 80 | 25 | 106.0 | 29.8 | 0.317 | 0.346 |
| 3" | 1.1/2" | 80 | 40 | 106.0 | 23.4 | 0.313 | 0.342 |
| 3" | 2" | 80 | 50 | 106.0 | 20.3 | 0.335 | 0.360 |
| 3" | 2.1/2" | 80 | 65 | 106.0 | 13.9 | 0.361 | 0.394 |
| 4" | 2" | 100 | 50 | 125.0 | 29.8 | 0.560 | 0.607 |
| 4" | 2.1/2" | 100 | 65 | 125.0 | 23.4 | 0.535 | 0.584 |
| 4" | 3" | 100 | 80 | 125.0 | 20.2 | 0.597 | 0.652 |
| 5" | 4" | 125 | 100 | 144.0 | 18.9 | 0.860 | 1.014 |
| 6" | 3" | 150 | 80 | 168.0 | 41.9 | 1.508 | 1.646 |
| 6" | 4" | 150 | 100 | 168.0 | 31.8 | 1.413 | 1.542 |
| 6" | 5" | 150 | 125 | 168.0 | 21.2 | 1.494 | 1.631 |
| 8" | 4" | 200 | 100 | 218.0 | 57.9 | 3.045 | 3.301 |
| 8" | 6" | 200 | 150 | 220.0 | 39.0 | 2.956 | 3.227 |
| 10" | 8" | 250 | 200 | 287.0 | 44.0 | 5.622 | 6.137 |
| 12" | 8" | 300 | 200 | 331.7 | 76.7 | 8.218 | 8.971 |
| 12" | 10" | 300 | 250 | 328.0 | 26.0 | 8.755 | 9.589 |
| 14" | 12" | 350 | 300 | 425.1 | 40.0 | 13.060 | 13.704 |
| 16" | 12" | 400 | 300 | 493.0 | 88.0 | 18.400 | 20.520 |
| 16" | 14" | 400 | 350 | 543.2 | 62.6 | 25.800 | 27.967 |

受口寸法は次の規格に準じています。

(PVC) 1/2-12": ASTM D-2467、14-16": 社内規格

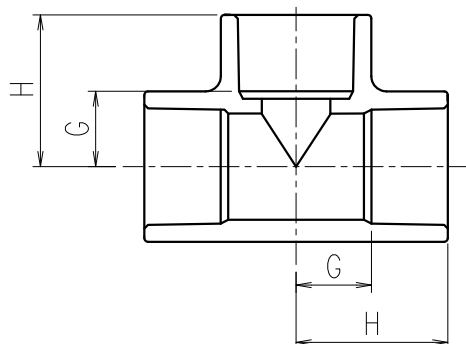
(CPVC) 1/2-12": ASTM F-439、14-16": 社内規格

材質

- PVC
 CPVC

| | | |
|------------------------------|------------|-----------------------|
| エスロンSch80継手 異径ソケット SxS | | 図番 |
| | | ⁸ S8RC154H |
| SEKISUI 積水化学工業株式会社 | 日付 | 承認印 |
| | 2011.10.11 | |

エスロンSch80継手
チーズ SxS



寸法表

単位：mm

| サイズ | | H | G | 重量 kg/個 | |
|--------|-----|-------|-------|---------|--------|
| inch | mm | | | PVC | CPVC |
| 1/2" | 15 | 37.5 | 15.3 | 0.050 | 0.055 |
| 3/4" | 20 | 42.5 | 17.1 | 0.065 | 0.071 |
| 1" | 25 | 50.0 | 21.4 | 0.105 | 0.115 |
| 1-1/4" | 32 | 58.0 | 26.3 | 0.184 | 0.201 |
| 1-1/2" | 40 | 65.0 | 30.1 | 0.235 | 0.257 |
| 2" | 50 | 74.0 | 35.9 | 0.355 | 0.388 |
| 2-1/2" | 65 | 89.0 | 44.6 | 0.619 | 0.676 |
| 3" | 80 | 101.0 | 53.4 | 1.010 | 1.102 |
| 4" | 100 | 121.0 | 63.9 | 1.581 | 1.726 |
| 5" | 125 | 147.5 | 79.5 | 2.684 | 2.930 |
| 6" | 150 | 173.0 | 94.6 | 4.325 | 4.721 |
| 8" | 200 | 225.0 | 122.0 | 8.980 | 9.802 |
| 10" | 250 | 290.0 | 150.0 | 16.320 | 16.646 |
| 12" | 300 | 330.0 | 181.8 | 25.245 | 25.830 |
| 14" | 350 | 426.6 | 197.8 | 35.885 | 38.860 |
| 16" | 400 | 492.0 | 236.2 | 54.570 | 58.690 |

受口寸法は次の規格に準じています。

(PVC) 1/2-12": ASTM D-2467、14-16": 社内規格

(CPVC) 1/2-12": ASTM F-439、14-16": 社内規格

材質

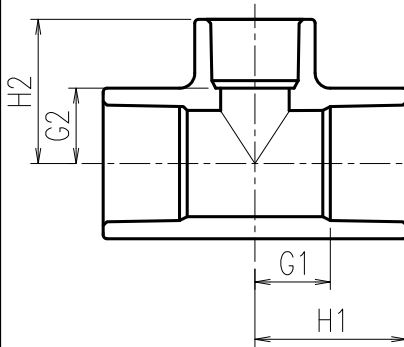
- PVC
 CPVC

| | | |
|------------------------------|------------|----------------------|
| エスロンSch80継手 チーズ SxS | | 図番 17 S8TE154H |
| SEKISUI 積水化学工業株式会社 | 日付 | 承認印 |
| | 2011.10.11 | |

エスロンSch80継手
異径チーズ SxS

寸法表

単位：mm



| サイズ | | | | H1 | H2 | G1 | G2 | 重量 kg/個 | |
|--------|--------|-----|-----|-------|-------|-------|-------|---------|--------|
| inch | mm | | | | | | | PVC | CPVC |
| 3/4" | 1/2" | 20 | 15 | 42.5 | 40.0 | 17.1 | 17.5 | 0.060 | 0.067 |
| 1" | 1/2" | 25 | 15 | 50.0 | 44.0 | 21.4 | 21.5 | 0.096 | 0.107 |
| 1" | 3/4" | 25 | 20 | | 46.0 | | | 0.098 | 0.109 |
| 1-1/4" | 1/2" | 32 | 15 | 58.0 | 48.0 | 26.3 | 26.5 | 0.152 | 0.170 |
| 1-1/4" | 3/4" | 32 | 20 | | 52.0 | | | 0.154 | 0.172 |
| 1-1/4" | 1" | 32 | 25 | | 54.0 | | | 0.159 | 0.178 |
| 1-1/2" | 1/2" | 40 | 15 | 65.0 | 52.0 | 30.1 | 30.0 | 0.200 | 0.223 |
| 1-1/2" | 3/4" | 40 | 20 | | 55.0 | | | 0.210 | 0.226 |
| 1-1/2" | 1" | 40 | 25 | | 58.0 | | | 0.235 | 0.255 |
| 1-1/2" | 1-1/4" | 40 | 32 | | 62.0 | | | 0.246 | 0.267 |
| 2" | 1/2" | 50 | 15 | 74.0 | 58.0 | 35.9 | 36.5 | 0.281 | 0.314 |
| 2" | 3/4" | 50 | 20 | | 61.0 | | | 0.300 | 0.316 |
| 2" | 1" | 50 | 25 | | 66.0 | | | 0.330 | 0.358 |
| 2" | 1-1/4" | 50 | 32 | | 68.0 | | | 0.340 | 0.369 |
| 2" | 1-1/2" | 50 | 40 | | 71.0 | | | 0.350 | 0.379 |
| 2-1/2" | 1-1/2" | 65 | 40 | 89.0 | 77.0 | 44.6 | 44.0 | 0.534 | 0.596 |
| 2-1/2" | 2" | 65 | 50 | | 82.0 | | | 0.552 | 0.595 |
| 3" | 1-1/2" | 80 | 40 | 101.0 | 85.0 | 53.4 | 53.5 | 0.860 | 0.909 |
| 3" | 2" | 80 | 50 | | 90.0 | | | 0.880 | 0.935 |
| 3" | 2-1/2" | 80 | 65 | | 97.0 | | | 0.925 | 0.970 |
| 4" | 2" | 100 | 50 | 121.0 | 101.0 | 63.9 | 66.5 | 1.380 | 1.483 |
| 4" | 2-1/2" | 100 | 65 | | 108.0 | | | 1.410 | 1.481 |
| 4" | 3" | 100 | 80 | | 115.5 | | | 1.490 | 1.541 |
| 5" | 4" | 125 | 100 | 147.5 | 136.0 | 79.5 | 81.0 | 2.605 | 2.790 |
| 6" | 3" | 150 | 80 | 173.0 | 143.0 | 94.8 | 96.0 | 3.980 | 4.240 |
| 6" | 4" | 150 | 100 | | 152.0 | | | 4.015 | 4.320 |
| 6" | 5" | 150 | 125 | | 165.0 | | | 4.180 | 4.510 |
| 8" | 3" | 200 | 80 | 225.0 | 170.0 | 122.0 | 123.5 | 8.290 | 8.420 |
| 8" | 4" | 200 | 100 | | 180.0 | | | 8.190 | 8.550 |
| 8" | 6" | 200 | 150 | | 202.6 | | | 8.545 | 8.915 |
| 10" | 4" | 250 | 100 | 290.0 | 210.0 | 150.0 | 153.5 | 13.435 | 14.285 |
| 10" | 8" | 250 | 200 | | 261.0 | | | 14.645 | 15.440 |
| 12" | 4" | 300 | 100 | 330.0 | 240.5 | 175.0 | 181.5 | 20.965 | 21.940 |
| 12" | 8" | 300 | 200 | | 286.0 | | | 21.600 | 22.550 |
| 12" | 10" | 300 | 250 | | 331.2 | | | 23.120 | 24.475 |
| 14" | 12" | 350 | 300 | 426.6 | 359.5 | 198.0 | 197.0 | 32.950 | 38.530 |
| 16" | 12" | 400 | 300 | 492.0 | 418.4 | 238.0 | 225.5 | 49.000 | 53.100 |
| 16" | 14" | 400 | 350 | | 492.0 | | | 50.835 | 56.110 |

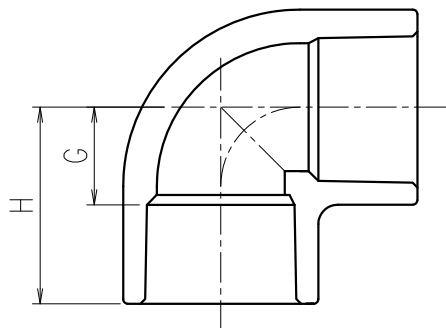
受口寸法は次の規格に準じています。(PVC) 1/2-12": ASTM D-2467、14-16": 社内規格
(CPVC) 1/2-12": ASTM F-439、14-16": 社内規格

材質

- PVC
- CPVC

| | | |
|------------------------------|------------|-------------|
| エスロンSch80継手 異径チーズ SxS | | 図番 |
| | | 21 S8RT154H |
| SEKISUI 積水化学工業株式会社 | 日付 | 承認印 |
| | 2011.10.11 | |

エスロンSch80継手
90°エルボ SxS



寸法表

単位：mm

| SIZE | | H | G | Weight kgs/pc | |
|--------|-----|-------|-------|---------------|--------|
| inch | mm | | | PVC | CPVC |
| 1/2" | 15 | 37.5 | 15.3 | 0.037 | 0.040 |
| 3/4" | 20 | 42.5 | 17.1 | 0.045 | 0.049 |
| 1" | 25 | 50.0 | 21.4 | 0.080 | 0.100 |
| 1-1/4" | 32 | 58.0 | 26.3 | 0.140 | 0.153 |
| 1-1/2" | 40 | 65.0 | 30.1 | 0.185 | 0.202 |
| 2" | 50 | 74.0 | 35.9 | 0.270 | 0.295 |
| 2-1/2" | 65 | 89.0 | 44.6 | 0.464 | 0.506 |
| 3" | 80 | 101.0 | 53.4 | 0.771 | 0.842 |
| 4" | 100 | 121.0 | 63.9 | 1.240 | 1.354 |
| 5" | 125 | 150.0 | 77.5 | 2.185 | 2.385 |
| 6" | 150 | 173.0 | 93.2 | 3.530 | 3.853 |
| 8" | 200 | 225.0 | 120.1 | 7.135 | 7.788 |
| 10" | 250 | 290.0 | 150.0 | 12.585 | 13.642 |
| 12" | 300 | 327.1 | 172.1 | 18.835 | 20.417 |
| 14" | 350 | 426.6 | 197.0 | 26.100 | 28.292 |
| 16" | 400 | 492.0 | 235.4 | 40.890 | 44.020 |

受口寸法は次の規格に準じています。

(PVC) 1/2-12": ASTM D-2467、14-24": 社内規格

(CPVC) 1/2-12": ASTM F-439、14-24": 社内規格

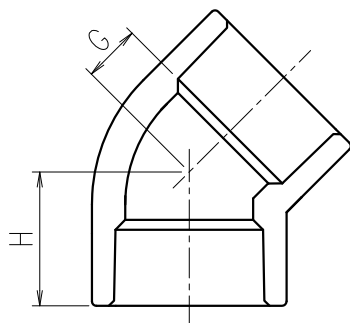
材質

PVC

CPVC

| | | |
|------------------------------|------------|-------------------------|
| エスロンSch80継手 90°エルボ SxS | | 図番 |
| | | ⁹ S8EL154H-F |
| SEKISUI 積水化学工業株式会社 | 日付 | 承認印 |
| | 2011.10.11 | |

エスロンSch80継手
45°エルボ SxS



寸法表

単位：mm

| SIZE | | H | G | Weight kgs/pc | |
|--------|-----|-------|-------|---------------|--------|
| inch | mm | | | PVC | CPVC |
| 1/2" | 15 | 29.0 | 6.8 | 0.030 | 0.033 |
| 3/4" | 20 | 34.0 | 8.6 | 0.040 | 0.044 |
| 1" | 25 | 37.0 | 8.4 | 0.064 | 0.070 |
| 1.1/4" | 32 | 43.0 | 11.3 | 0.102 | 0.111 |
| 1.1/2" | 40 | 47.0 | 12.1 | 0.130 | 0.142 |
| 2" | 50 | 55.0 | 16.9 | 0.221 | 0.235 |
| 2.1/2" | 65 | 64.0 | 19.6 | 0.359 | 0.392 |
| 3" | 80 | 72.0 | 24.4 | 0.580 | 0.633 |
| 4" | 100 | 86.0 | 28.9 | 0.915 | 0.999 |
| 5" | 125 | 106.0 | 36.0 | 1.595 | 1.741 |
| 6" | 150 | 119.7 | 40.7 | 2.580 | 2.816 |
| 8" | 200 | 155.2 | 50.4 | 4.925 | 5.376 |
| 10" | 250 | 206.9 | 59.9 | 9.375 | 9.960 |
| 12" | 300 | 235.4 | 81.1 | 15.330 | 16.618 |
| 14" | 350 | 328.9 | 100.9 | 21.100 | 23.180 |
| 16" | 400 | 360.3 | 106.6 | 28.732 | 32.540 |

受口寸法は次の規格に準じています。

(PVC) 1/2-12": ASTM D-2467、14-16": 社内規格

(CPVC) 1/2-12": ASTM F-439、14-16": 社内規格

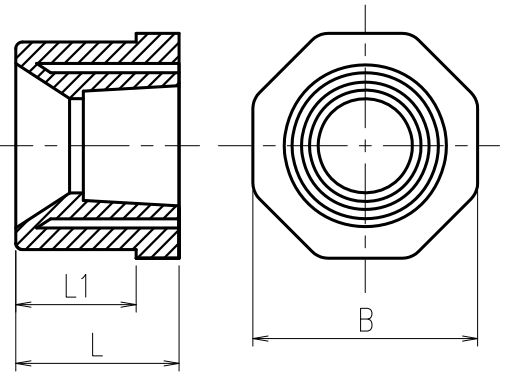
材質

PVC

CPVC

| | | |
|------------------------------|------------|----------------------|
| エスロンSch80継手 45°エルボ SxS | | 図番 13 S84L154H |
| SEKISUI 積水化学工業株式会社 | 日付 | 承認印 |
| | 2011.10.11 | |

エスロンSch80継手
ブッシング SxS



寸法表

単位：mm

| サイズ | | L | L1 | B | 重量 kg/個 | | | |
|--------|--------|-----|-----|-------|---------|-------|-------|-------|
| inch | mm | | | | PVC | CPVC | | |
| 3/4" | 1/2" | 20 | 15 | 32.5 | 25.4 | 30.0 | 0.014 | 0.023 |
| 1" | 1/2" | 25 | 15 | 35.5 | 28.6 | 38.0 | 0.027 | 0.030 |
| 1" | 3/4" | 25 | 20 | | | | 0.019 | 0.021 |
| 1.1/4" | 1/2" | 32 | 15 | 40.5 | 31.8 | 46.5 | 0.057 | 0.057 |
| 1.1/4" | 3/4" | 32 | 20 | | | | 0.048 | 0.054 |
| 1.1/4" | 1" | 32 | 25 | | | | 0.032 | 0.040 |
| 1.1/2" | 1/2" | 40 | 15 | 44.0 | 34.9 | 53.0 | 0.067 | 0.075 |
| 1.1/2" | 3/4" | 40 | 20 | | | | 0.068 | 0.076 |
| 1.1/2" | 1" | 40 | 25 | | | | 0.058 | 0.065 |
| 1.1/2" | 1.1/4" | 40 | 32 | | | | 0.034 | 0.038 |
| 2" | 1/2" | 50 | 15 | 50.0 | 38.1 | 66.0 | 0.114 | 0.127 |
| 2" | 3/4" | 50 | 20 | | | | 0.114 | 0.127 |
| 2" | 1" | 50 | 25 | | | | 0.116 | 0.130 |
| 2" | 1.1/4" | 50 | 32 | | | | 0.103 | 0.115 |
| 2" | 1.1/2" | 50 | 40 | | | | 0.085 | 0.095 |
| 2.1/2" | 1.1/2" | 65 | 40 | 55.0 | 44.5 | 78.0 | 0.160 | 0.179 |
| 2.1/2" | 2" | 65 | 50 | | | | 0.118 | 0.132 |
| 3" | 1" | 80 | 25 | 57.5 | 47.6 | 94.0 | 0.244 | 0.273 |
| 3" | 1.1/2" | 80 | 40 | | | | 0.258 | 0.288 |
| 3" | 2" | 80 | 50 | | | | 0.245 | 0.274 |
| 3" | 2.1/2" | 80 | 65 | | | | 0.200 | 0.245 |
| 4" | 1" | 100 | 25 | 70.0 | 57.2 | 120.0 | 0.540 | 0.603 |
| 4" | 1.1/4" | 100 | 32 | | | | 0.541 | 0.575 |
| 4" | 1.1/2" | 100 | 40 | | | | 0.515 | 0.542 |
| 4" | 2" | 100 | 50 | | | | 0.528 | 0.573 |
| 4" | 2.1/2" | 100 | 65 | | | | 0.492 | 0.520 |
| 4" | 3" | 100 | 80 | | | | 0.427 | 0.463 |
| 5" | 4" | 125 | 100 | 82.0 | 66.7 | 150.0 | 0.635 | 0.731 |
| 6" | 3" | 150 | 80 | 92.0 | 78.3 | 175.0 | 1.241 | 1.254 |
| 6" | 4" | 150 | 100 | | | | 1.250 | 1.396 |
| 6" | 5" | 150 | 125 | | | | 0.945 | 0.953 |
| 8" | 4" | 200 | 100 | 120.0 | 101.6 | 230.0 | 2.700 | 2.892 |
| 8" | 6" | 200 | 150 | | | | 2.458 | 2.746 |
| 10" | 6" | 250 | 150 | 158.0 | 137.8 | 285.0 | 4.915 | 5.296 |
| 10" | 8" | 250 | 200 | | | | 4.648 | 5.113 |
| 12" | 6" | 300 | 150 | 174.0 | 154.0 | 340.0 | 7.271 | 7.880 |
| 12" | 8" | 300 | 200 | | | | 7.585 | 7.974 |
| 12" | 10" | 300 | 250 | | | | 6.624 | 0.718 |

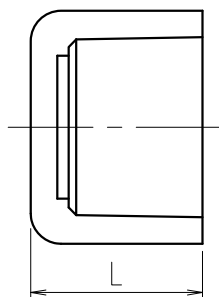
受口寸法は次の規格に準じています。(PVC) ASTM D-2467 (CPVC) ASTM F-439

材質

- PVC
- CPVC

| | | |
|------------------------------|------------|-------------------|
| エスロンSch80継手 ブッシング SxS | | 図番 24 S8RB153H |
| SEKISUI 積水化学工業株式会社 | 日付 | 承認印 |
| | 2011.10.11 | |

エスロンSch80継手
キャップ



Unit: mm

| サイズ | | L | 重量 kg/個 | |
|--------|-----|-------|---------|-------|
| inch | mm | | PVC | CPVC |
| 1/2" | 15 | 30.0 | 0.016 | 0.018 |
| 3/4" | 20 | 36.0 | 0.027 | 0.029 |
| 1" | 25 | 41.0 | 0.043 | 0.047 |
| 1.1/4" | 32 | 47.0 | 0.058 | 0.060 |
| 1.1/2" | 40 | 52.0 | 0.105 | 0.115 |
| 2" | 50 | 59.0 | 0.164 | 0.178 |
| 2.1/2" | 65 | 67.0 | 0.245 | 0.266 |
| 3" | 80 | 77.0 | 0.435 | 0.460 |
| 4" | 100 | 92.0 | 0.635 | 0.687 |
| 5" | 125 | 107.0 | 0.915 | 0.980 |
| 6" | 150 | 124.0 | 1.196 | 1.296 |
| 8" | 200 | 165.0 | 2.832 | 3.070 |
| 10" | 250 | 191.0 | 5.133 | 5.310 |
| 12" | 300 | 215.0 | 7.918 | 8.155 |

受口寸法は次の規格に準じています。

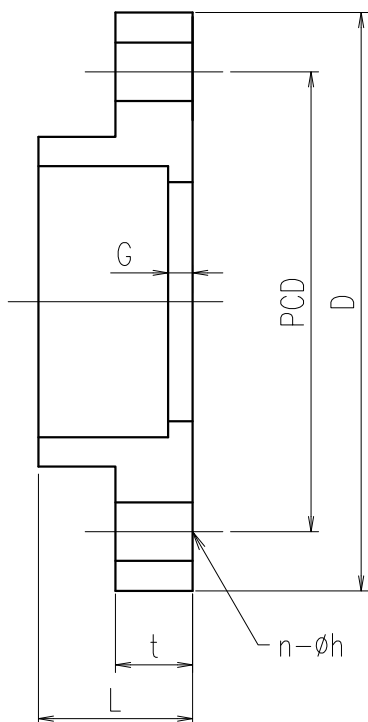
(PVC) ASTM D-2467、(CPVC) ASTM F-439

材質

- PVC
 CPVC

| | | |
|------------------------------|------------|-------------------|
| エスロンSch80継手 キャップ | | 図番 28 S8SC153H |
| SEKISUI 積水化学工業株式会社 | 日付 | 承認印 |
| | 2011.10.11 | |

エスロンSch80継手
フランジ ANSI-ASTM



Unit: mm

| サイズ | | L | t (最小) | G | D | PCD | n | h | 重量 kg/個 | |
|--------|-----|-------|-----------|------|-------|-------|---|------|---------|-------|
| inch | mm | | | | | | | | PVC | CPVC |
| 1/2" | 15 | 25.0 | 11.5 | 2.8 | 89.0 | 60.5 | 4 | 15.7 | 0.100 | 0.105 |
| 3/4" | 20 | 29.5 | 13.0 | 4.1 | 98.8 | 70.0 | 4 | 15.7 | 0.140 | 0.152 |
| 1" | 25 | 32.0 | 14.5 | 3.4 | 108.3 | 79.5 | 4 | 15.7 | 0.191 | 0.207 |
| 1-1/4" | 32 | 38.5 | 17.6 | 4.8 | 118.8 | 89.0 | 4 | 15.7 | 0.255 | 0.276 |
| 1-1/2" | 40 | 40.5 | 19.0 | 5.6 | 127.5 | 98.5 | 4 | 15.7 | 0.318 | 0.360 |
| 2" | 50 | 46.6 | 19.5 | 6.9 | 152.0 | 120.5 | 4 | 19.1 | 0.458 | 0.512 |
| 2-1/2" | 65 | 51.0 | 22.5 | 6.6 | 177.0 | 139.5 | 4 | 19.1 | 0.749 | 0.799 |
| 3" | 80 | 55.0 | 27.1 | 7.4 | 192.8 | 152.5 | 4 | 19.1 | 0.880 | 0.983 |
| 4" | 100 | 64.0 | 29.3 | 6.9 | 229.7 | 190.5 | 8 | 19.1 | 1.340 | 1.497 |
| 5" | 125 | 82.0 | 28.0 | 14.0 | 254.0 | 216.0 | 8 | 22.4 | 1.648 | 1.841 |
| 6" | 150 | 84.5 | 25.5 | 6.6 | 279.0 | 241.5 | 8 | 22.4 | 1.912 | 1.944 |
| 8" | 200 | 116.0 | 29.0 | 13.0 | 343.0 | 298.5 | 8 | 22.4 | 3.400 | 3.798 |

受口寸法は次の規格に準じています。

TS受口: (PVC) ASTM D-2467 (CPVC) ASTM F-439

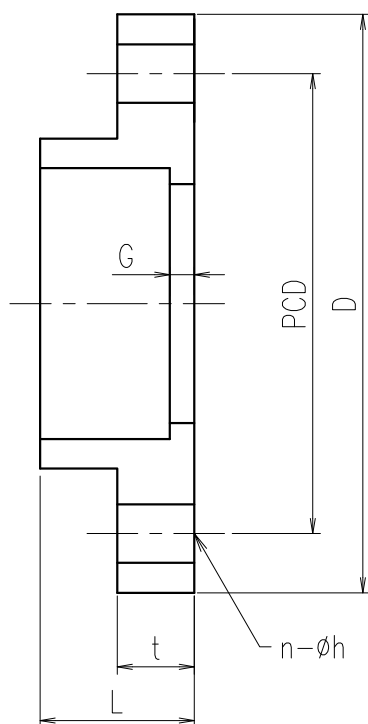
フランジ受口: ANSI B16.5 150PSI

材質

- PVC
 CPVC

| | | |
|-------------------------------|------------|--------------------|
| エスロンSch80継手 フランジ ANSI-ASTM | | 図番 32 S80FA152H |
| SEKISUI 積水化学工業株式会社 | 日付 | 承認印 |
| | 2011.10.11 | |

エスロンSch80継手
フランジ JIS-ASTM



Unit: mm

| サイズ | | L | t (最小) | G | D | PCD | n | h | 重量 kg/個 | |
|--------|-----|-------|-----------|------|-----|-----|----|----|---------|-------|
| inch | mm | | | | | | | | PVC | CPVC |
| 1/2" | 15 | 25.0 | 14.0 | 2.8 | 95 | 70 | 4 | 15 | 0.130 | 0.150 |
| 3/4" | 20 | 29.5 | 14.0 | 4.1 | 100 | 75 | 4 | 15 | 0.140 | 0.165 |
| 1" | 25 | 32.0 | 14.0 | 3.4 | 125 | 90 | 4 | 19 | 0.240 | 0.265 |
| 1-1/4" | 32 | 38.5 | 16.0 | 3.5 | 135 | 100 | 4 | 19 | 0.327 | 0.355 |
| 1-1/2" | 40 | 40.5 | 16.0 | 5.6 | 140 | 105 | 4 | 19 | 0.320 | 0.358 |
| 2" | 50 | 45.0 | 20.0 | 6.9 | 155 | 120 | 4 | 19 | 0.473 | 0.528 |
| 2-1/2" | 65 | 51.0 | 22.0 | 6.6 | 175 | 140 | 4 | 19 | 0.664 | 0.720 |
| 3" | 80 | 55.0 | 22.0 | 5.0 | 185 | 150 | 8 | 19 | 0.700 | 0.752 |
| 4" | 100 | 64.0 | 22.0 | 5.2 | 210 | 175 | 8 | 19 | 0.900 | 0.984 |
| 5" | 125 | 82.0 | 24.0 | 14.0 | 250 | 210 | 8 | 23 | 1.410 | 1.508 |
| 6" | 150 | 84.5 | 25.5 | 6.2 | 280 | 240 | 8 | 23 | 1.800 | 1.956 |
| 8" | 200 | 116.0 | 28.0 | 13.0 | 330 | 290 | 12 | 23 | 2.900 | 3.358 |

受口寸法は次の規格に準じています。

TS受口: (PVC) ASTM D-2467 (CPVC) ASTM F-439

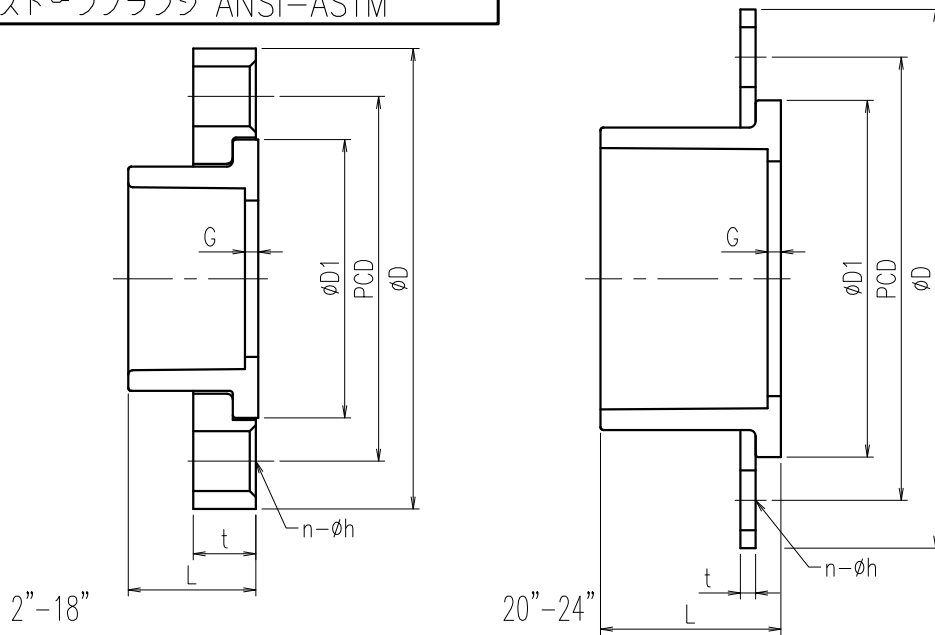
フランジ受口: JIS B 2220 10K

材質

- PVC
 CPVC

| | | |
|------------------------------|------------|--------------------|
| エスロンSch80継手 フランジ JIS-ASTM | | 図番 33 S80FJ152H |
| SEKISUI 積水化学工業株式会社 | 日付 | 承認印 |
| | 2011.10.11 | |

エスロンSch80継手
ヴァンストーンフランジ ANSI-ASTM



Unit: mm

| サイズ | | 耐圧 MPa | L | t | G | D | D1 | PCD | n | h | 重量 kg/個 | |
|--------|-----|-----------|-------|------|-------|-------|-------|-------|----|------|---------|--------|
| inch | mm | | | | | | | | | | PVC | CPVC |
| 1/2" | 15 | 1.0 | 25.0 | 11.2 | 2.78 | 88.9 | 38.6 | 60.5 | 4 | 15.9 | 0.100 | 0.100 |
| 3/4" | 20 | 1.0 | 29.5 | 12.7 | 4.10 | 98.6 | 47.0 | 70.0 | 4 | 15.9 | 0.160 | 0.160 |
| 1" | 25 | 1.0 | 32.0 | 14.5 | 3.42 | 108.0 | 56.4 | 79.5 | 4 | 15.9 | 0.180 | 0.180 |
| 1-1/4" | 32 | 1.0 | 38.5 | 15.7 | 6.75 | 117.4 | 65.0 | 89.0 | 4 | 15.9 | 0.240 | 0.240 |
| 1-1/2" | 40 | 1.0 | 40.5 | 17.5 | 5.57 | 127.0 | 74.0 | 98.5 | 4 | 15.9 | 0.290 | 0.290 |
| 2" | 50 | 1.0 | 43.0 | 20.0 | 4.40 | 152.0 | 92.0 | 120.5 | 4 | 19.1 | 0.390 | 0.429 |
| 2-1/2" | 65 | 1.0 | 51.0 | 24.5 | 6.60 | 178.0 | 108.0 | 139.5 | 4 | 19.1 | 0.595 | 0.655 |
| 3" | 80 | 1.0 | 55.0 | 27.0 | 5.10 | 191.0 | 119.5 | 152.4 | 4 | 19.1 | 0.734 | 0.807 |
| 4" | 100 | 1.0 | 64.0 | 28.0 | 5.20 | 229.0 | 149.0 | 190.5 | 8 | 19.1 | 1.066 | 1.173 |
| 5" | 125 | 1.0 | 82.0 | 28.0 | 14.60 | 254.0 | 179.0 | 216.0 | 8 | 22.4 | 1.423 | 1.565 |
| 6" | 150 | 1.0 | 85.0 | 32.0 | 5.50 | 283.2 | 207.0 | 241.5 | 8 | 22.4 | 1.820 | 2.002 |
| 8" | 200 | 1.0 | 120.5 | 36.0 | 12.10 | 343.0 | 263.3 | 298.5 | 8 | 22.4 | 2.870 | 3.157 |
| 10" | 250 | 1.0 | 150.0 | 42.0 | 12.60 | 406.0 | 320.5 | 362.0 | 12 | 25.4 | 4.923 | 5.415 |
| 12" | 300 | 1.0 | 190.0 | 42.0 | 16.70 | 483.0 | 382.0 | 432.0 | 12 | 25.4 | 8.800 | 9.680 |
| 14" | 350 | 1.0 | 203.0 | 51.0 | 19.00 | 533.0 | 414.0 | 476.0 | 12 | 28.4 | 11.778 | 12.329 |
| 16" | 400 | 1.0 | 225.0 | 60.0 | 21.00 | 597.0 | 470.0 | 540.0 | 16 | 28.4 | 16.620 | 17.460 |
| 18" | 450 | 1.0 | 248.0 | 60.0 | 22.00 | 635.0 | 529.7 | 578.0 | 16 | 31.8 | 19.315 | 21.599 |
| 20" | 500 | 0.6 | 280.0 | 17.5 | 21.00 | 699.0 | 584.4 | 635.0 | 20 | 31.8 | 33.030 | 35.805 |
| | | 1.0 | | 29.0 | | | | | | | 47.751 | 49.554 |

※500A(20"): SS400+エポキシ被覆

・TS受口寸法は次の規格に準じています。

[PVC]15A(1/2")-300A(12"): ASTM D-2467、350(14")-500(20"): ASTM D-2672

[CPVC]15A(1/2")-300A(12"): ASTM F-439、350(14")-500(20"): ASTM D-2672

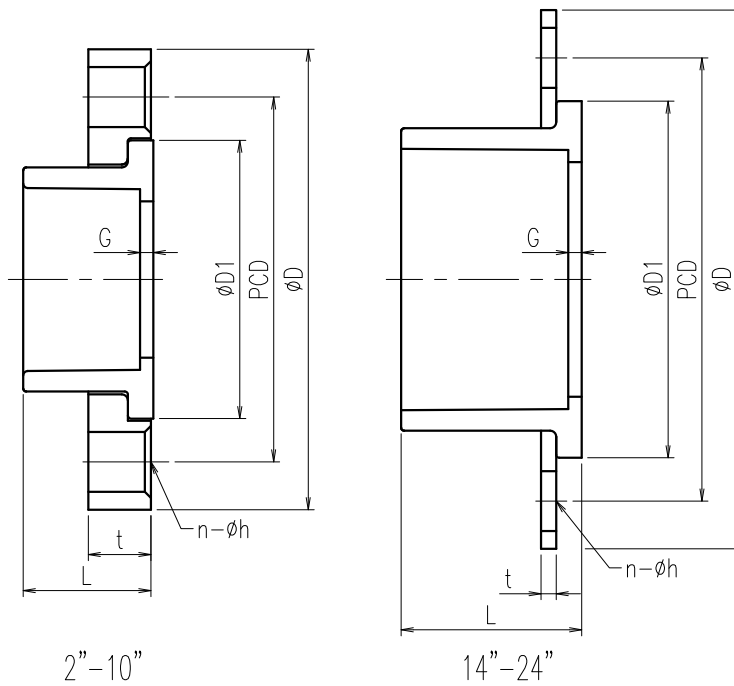
・フランジ受口のボルト寸法は次の規格に準じています。ANSI B16.5 150PSI

材質

- PVC
 CPVC

| | | |
|--------------------------------------|------------|--------------------|
| エスロンSch80継手 ヴァンストーンフランジ ANSI-ASTM | | 図番 38 S8VSA506H |
| SEKISUI 積水化学工業株式会社 | 日付 | 承認印 |
| | 2011.10.11 | |

エスロンSch80継手
ヴァンストーンフランジ JIS-ASTM



| サイズ | | L | t (最小) | G | D | D1 | PCD | n | h | 重量 kg/個 | |
|--------|-----|-------|-----------|------|-------|-------|-----|----|----|---------|--------|
| inch | mm | | | | | | | | | PVC | CPVC |
| 2" | 50 | 43.0 | 20.0 | 4.4 | 153.0 | 92.0 | 120 | 4 | 20 | 0.415 | 0.446 |
| 2.1/2" | 65 | 51.0 | 24.5 | 6.6 | 178.3 | 108.0 | 140 | 4 | 20 | 0.630 | 0.683 |
| 3" | 80 | 55.0 | 27.0 | 5.1 | 185.0 | 119.5 | 150 | 8 | 19 | 0.775 | 0.840 |
| 4" | 100 | 64.0 | 28.0 | 5.2 | 210.0 | 149.0 | 175 | 8 | 19 | 0.930 | 0.990 |
| 5" | 125 | 82.0 | 28.0 | 14.6 | 250.0 | 179.0 | 210 | 8 | 23 | 1.365 | 1.480 |
| 6" | 150 | 85.0 | 32.0 | 5.5 | 283.4 | 207.0 | 240 | 8 | 23 | 1.930 | 2.124 |
| 8" | 200 | 120.5 | 36.0 | 12.1 | 330.0 | 263.3 | 290 | 12 | 23 | 3.040 | 3.295 |
| 10" | 250 | 150.0 | 42.0 | 12.6 | 400.0 | 320.5 | 355 | 12 | 25 | 4.923 | 5.686 |
| 14" | 350 | 203.0 | 14.0 | 19.0 | 490.0 | 414.0 | 445 | 16 | 25 | 12.670 | 13.365 |
| 16" | 400 | 225.0 | 14.0 | 21.0 | 560.0 | 470.0 | 510 | 16 | 27 | 17.990 | 18.850 |
| 18" | 450 | 248.0 | 14.0 | 22.0 | 620.0 | 529.7 | 565 | 20 | 27 | 23.170 | 25.277 |
| 20" | 500 | 280.0 | 15.0 | 21.0 | 675.0 | 584.4 | 620 | 20 | 27 | 34.300 | 36.103 |

※350A(14")-500A(20"): SS400+エポキシ被覆

※TS受口寸法は次の規格に準じています。

[PVC]50A(2")-250A(10"): ASTM D-2467、350(14")-500A(20"): 社内規格

[CPVC]50A(2")-250A(10"): ASTM F-439、350(14")-500A(20"): 社内規格

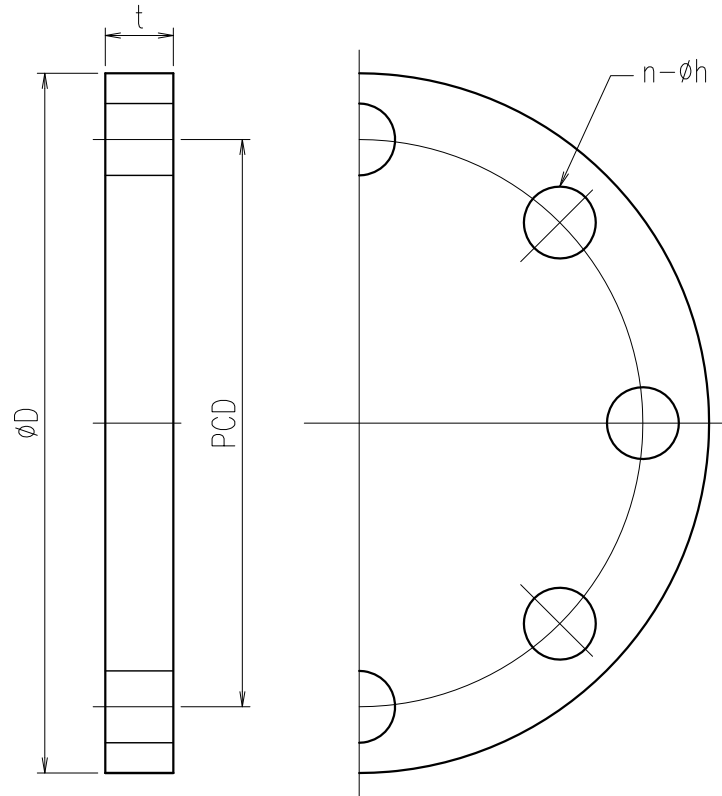
※フランジ受口のボルト穴寸法は次の規格に準じています。JIS B 2220 10K

材質

- PVC
 CPVC

| | | |
|-------------------------------------|------------|--------------------|
| エスロンSch80継手 ヴァンストーンフランジ JIS-ASTM | | 図番 39 S8VAJ506H |
| SEKISUI 積水化学工業株式会社 | 日付 | 承認印 |
| | 2011.10.11 | |

エスロンSch80継手
ANSI 板フランジ (ボルト穴あき)



unit:mm

| サイズ | | t | D | PCD | n | h | 重量 kg/個 | |
|--------|-----|----|-----|-------|----|----|---------|-------|
| inch | mm | | | | | | PVC | CPVC |
| 1/2" | 15 | 12 | 89 | 60.5 | 4 | 16 | 0.108 | 0.117 |
| 3/4" | 20 | 13 | 98 | 70.0 | 4 | 16 | 0.148 | 0.160 |
| 1" | 25 | 15 | 108 | 79.5 | 4 | 16 | 0.176 | 0.190 |
| 1-1/4" | 32 | 16 | 117 | 89.0 | 4 | 16 | 0.220 | 0.238 |
| 1-1/2" | 40 | 18 | 127 | 98.5 | 4 | 16 | 0.295 | 0.329 |
| 2" | 50 | 18 | 152 | 120.5 | 4 | 19 | 0.463 | 0.518 |
| 2-1/2" | 65 | 22 | 178 | 139.5 | 4 | 19 | 0.740 | 0.843 |
| 3" | 80 | 24 | 191 | 152.4 | 4 | 19 | 0.928 | 1.006 |
| 4" | 100 | 24 | 229 | 190.5 | 8 | 19 | 1.501 | 1.627 |
| 5" | 125 | 26 | 254 | 216.0 | 8 | 22 | 1.746 | 1.950 |
| 6" | 150 | 26 | 282 | 241.5 | 8 | 22 | 2.229 | 2.489 |
| 8" | 200 | 28 | 343 | 298.5 | 8 | 22 | 3.410 | 3.809 |
| 10" | 250 | 28 | 406 | 362.0 | 12 | 25 | 4.842 | - |
| 12" | 300 | 28 | 483 | 432.0 | 12 | 25 | 7.010 | - |
| 14" | 350 | 45 | 535 | 476.0 | 12 | 29 | 14.905 | - |
| 16" | 400 | 45 | 595 | 540.0 | 16 | 29 | 16.843 | - |

・フランジ受口のボルト穴寸法は次の規格に準じています。

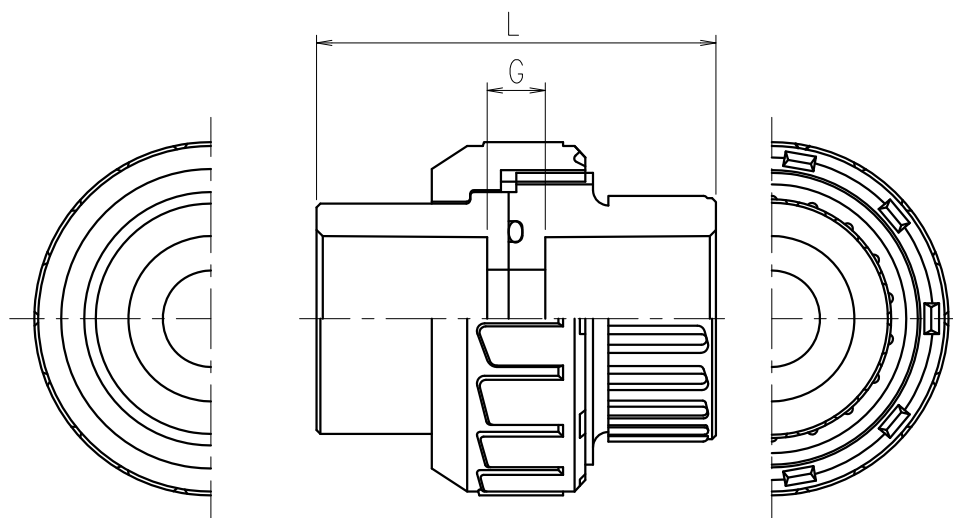
1/2-12" ANSI B16.5 150PSI、14-16" SEKISUI standard

材質

- PVC
 CPVC

| | | |
|------------------------------------|------------|-----------------------|
| エスロンSch80継手 ANSI 板フランジ (ボルト穴あき) | | 図番 40 S8BFA156H |
| SEKISUI 積水化学工業株式会社 | 日付 | 承認印 |
| | 2011.10.11 | |

エスロンSch80継手
ユニオン継手



| サイズ | | L | G | Oリング | 重量 kg/個 | |
|--------|-----|-----|------|------|---------|-------|
| inch | mm | | | | PVC | CPVC |
| 1/2" | 15 | 52 | 6.5 | P20 | 0.047 | 0.050 |
| 3/4" | 20 | 59 | 7.5 | P24 | 0.073 | 0.080 |
| 1" | 25 | 67 | 8.0 | P30 | 0.132 | 0.140 |
| 1.1/4" | 32 | 76 | 12.5 | P36 | 0.208 | 0.217 |
| 1.1/2" | 40 | 82 | 10.5 | P46 | 0.271 | 0.295 |
| 2" | 50 | 92 | 14.0 | P58 | 0.433 | 0.475 |
| 2.1/2" | 65 | 108 | 19.0 | P71 | 0.667 | 0.775 |
| 3" | 80 | 120 | 25.0 | P85 | 1.093 | 1.180 |
| 4" | 100 | 152 | 37.0 | P112 | 1.873 | 2.050 |

受口寸法は次の規格に準じています。

PVC: ASTM D-2467、CPVC: ASTM F-439

材質

- PVC
- CPVC

| | | |
|------------------------------|------------|------------------------|
| エスロンSch80継手 ユニオン継手 | | 図番 |
| | | ⁴¹ S8UN151H |
| SEKISUI 積水化学工業株式会社 | 日付 | 承認印 |
| | 2011.10.11 | |